

103545 User Manual

Thank you for purchasing this power bank.
Please read the manual carefully before use.



Specification:

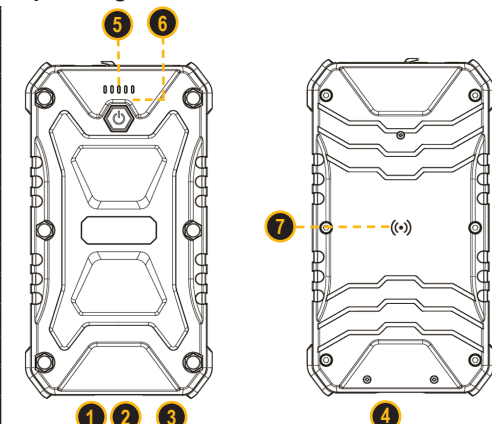
Capacity	10000mAh/37Wh
Type-C input	5V/3A 9V/2A 12V/1.5A PD18W(max)
Type-C output	5V/3A 9V/2A 12V/1.5A PD18W(max)
USB output	4.5V/5A 5V/4.5A 9V/2A 12V/1.5A 22.5W(max)
Wireless charging	15W(max)
USB+Type-C + Wireless charging	5V/3A(max)
Product size	173x95x25 mm
Product net weight	385 g
Full charging time	4 hours
Operating temperature	0~45 C°
Battery type	Li-polymer
IP rating	66

Accessory List : User Manual, Power Bank & Cable

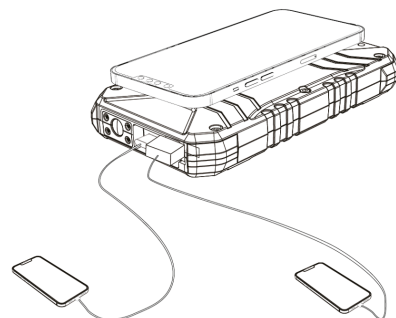
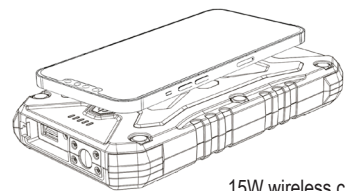
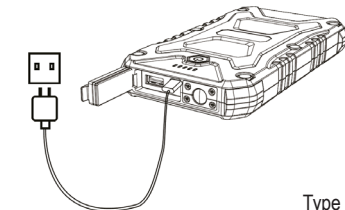
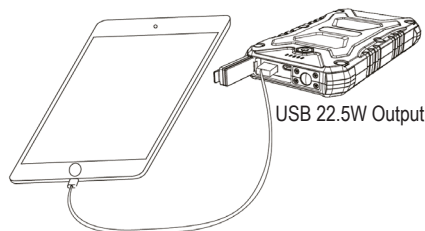
Features:

- 10000 mah large capacity
- Ip66 waterproof
- Hanging hook for easy carrying
- 22.5W Output
- 15W wireless charging
- 5 LED indicators to show battery level and status
- Quadrangle edge shockproof design
- LED Light: Torch, Flashing, SOS 3in1 (1W)

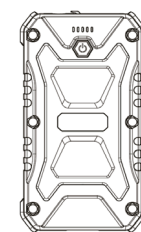
Operating instructions



- 1 USB 1 Output
- 2 Type-C Input & Output
- 3 Led lights
- 4 Hanging hook
- 5 LED Indicators
- 6 Power button
- 7 Wireless charging



3 devices can be charge at the same time
When two or more devices are charged at the same time, the output power of the usb1 and Type-C will decrease to 15W
The PD22.5 does not support charging low-current devices



ON/OFF BUTTON
1.Press the button once to check power status and activate wireless charging.
2.Long press the power to turn on the flashlight
3.Press again shift to caution light
4.Press once again shift to SOS
5.Press once again shift to flashlight
6.Long press the button to turn off LED light

Charging the power bank from an external power source:

1. Use USB charging cable connect to a power source AC power adapter or any other USB power source
2. Battery's charging status is indicated by 5 LED indicators in the following manner:

Charging Status LED Indicators	0%-25%	25%-50%	50%-75%	75%-99%	100%
1 st	Flashing white	●	●	●	●
2 nd	OFF	Flashing white	●	●	●
3 rd	OFF	OFF	Flashing white	●	●
4 th	OFF	OFF	OFF	Flashing white	●
5 th	Green LED is fast charging				

● **Solid white**

The fifth light is green when fast charging is in progress

Charging mobile device

1. Connect the USB charging cable to your mobile device, it will start to charge automatically
2. Power bank will shut off within 8 seconds when disconnected

Notes:

1. The full charging time is only for your reference, please refer to actual operation.
2. High quality guarantee, using A-grade Li-polymer battery cell for this power bank.
3. Please use a cable matching your mobile phone and digital product.
4. Slight heating may appear during charging and discharging.
5. Please store this Power Bank in a dry and cool place when not used.
6. If not used for a longer period, please make sure the Power Bank is fully charged at least every 6 months.
7. Please use the cable purchased with your Power Bank for charging it.
8. Please avoid metal or sharp items next to the Power Bank, to avoid scratches or damage.
9. Don't leave the Power Bank directly exposed to sunlight, as it may overheat.

Warning

DO NOT attempt to open or dismantle the product.
DO NOT subject the power bank to naked flames or extrem heat.
DO NOT stand on or otherwise apply pressure to the power bank.
DO NOT allow children to play with the power bank.
As the device will charge in high temperatures please ensure the device is never charging for a longer period of time, as it has a maximum temperature of 45°C.
Stop using this power bank if you experience expansion or break down, and contact local distributor.

Conformity

IRONSIDE INTERNATIONAL declares that this new product complies with the following regulations:
ART 103545_{WT-PD225}
Designation: POWER BANK



EMC DIRECTIVE 2014/30/EU

EN 55032: 2015+A1 :2020
EN 55035: 2017:+A11:2020
EN IEC 61000-3-2:2019/A1:2021
EN 61000-3-3:2013/A2:2021
EN 61000-4-2:2009
EN 61000-4-5:2020
EN 61000-4-6:2021
EN 61000-4-5:2014+A1:2017
EN 61000-4-6:2014/AC:2015
EN 61000-4-8:2010

Certification number ZKT-2305304037C date 06/06/23 issued by Shenzhen ZKT technology Co.Ltd 2-3/F.No.4 fuyu Road,Fuchneg Au Industrial Zone, Pinghu Town Longgang District, Shenzhen 518111, Cina



Ironside International
Paris Nord 2
13 rue de la Perdrix
Tremblay en France
95912 Roissy CDG
France