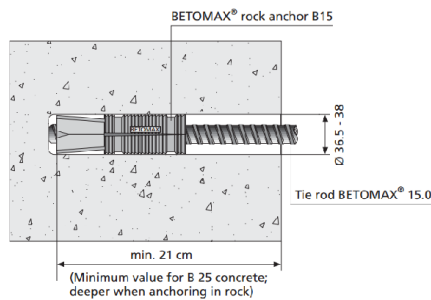
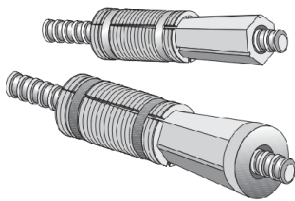


Anchoring technology
BETOMAX® - Rock Anchor B15

System Description

The Rock Anchor B15 is an expansion anchor for temporary anchoring (max. 6 month). Typically used for e.g. one sided anchoring of formwork or scaffolding constructions without using other scheduled mounting parts.



Application / Use

Application is most common for use with concrete components. The use along with other substrates has to be tested before usage on site.

Installation

According to the separate installation instruction sheet of **BETOMAX®**.

Material

Malleable cast iron according to DIN EN 1552

Technical Values

Borehole depth for 90 KN working load

h_1 for C20/25: min. 21 cm

Anchoring depth:

h_{eff} for C20/25: min. 16 cm

Borehole:

Ø 36,5 mm – 38 mm using a 37 mm drill bit

Design load ($\gamma_{Mc} = 1,5$) for noncracked

concrete C20/25: 102 KN

Design load ($\gamma_{Mc} = 1,5$) for cracked

concrete C20/25: 73 KN

min. hole spacing:

3 x h_{ef} = 82.5 cm

min. edge clearance:

1,5 x h_{ef} = 41,25 cm

Storage

Store dry, protect from corrosion

Availability

Sold throughout Europe by BETOMAX® systems, Neuss, and authorized agents. See current price list for prices and conditions of sale.

Service

Technical advice and support during planning and installation are provided by the competent experts

The information contained in this data sheet is based on our experience to our best knowledge, but without obligation. They are to be adapted to the respective building materials, applications and special public demands. Subject to this prerequisite, we are liable for the accuracy of this information as part of our terms and conditions. From the information provided in our technical data sheets differing recommendations of our employees are only binding to us if confirmed in writing. We reserve the right, to introduce changes in the interest of technical progress. This technical information supersedes all previous issues or information as invalid.