

Produktblad

Rostfri ingjutningshylsa Albanese

V2A UNI-Concrete Anchor

ALBANESE®

www.albanese.ch

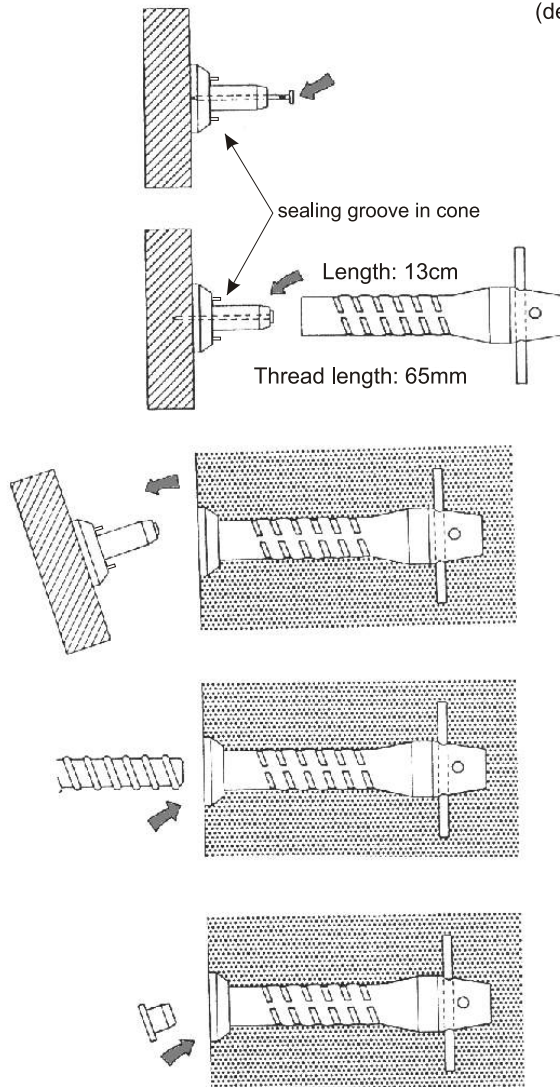
UNI-concrete anchor with Dywidag thread of V2A stainless steel for 15mm Dywidag tie-rods.

Ideal for:

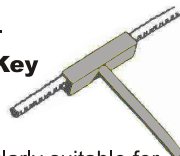
- slab boarding
- formwork for single-sided pours
- brackets and scaffold anchorage.
- general guard rails
- stainless steel, corrosion free!

Advantages:

- suitable for architectural concrete - no rust stains!
- simple to use
- special sealing groove in fixing cone and preinstalled fixing nail.
- **guaranteed safe working load: 90kN** (depending on concrete strength)



- Nail the fixing cone to the form face
! With preinstalled nail !
- The special sealing groove in the fixing cone forms a tight seal preventing any grout leakage into the anchor.
- Push on the UNI-concrete anchor.
- Concrete, and remove the formwork.
- Screw in the tie-rod (Dywidag).
- Use the **Special Dywidag-Key** to tighten and loosen tie-rods.
- **Recommendation:**
This concrete anchor is particularly suitable for single sided forming, or where re/fixing of Dywidag tie-rod is required.
- Fit the plastic plug.



patented