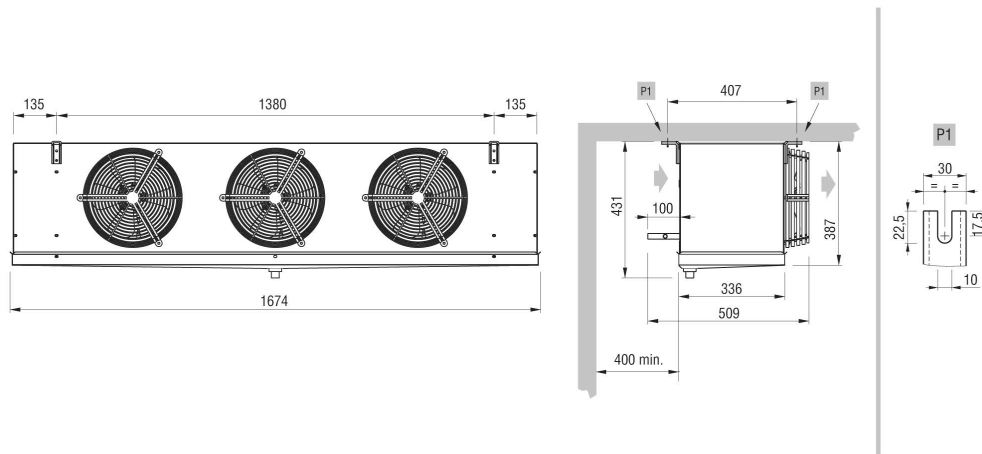


User Gustav Hellsten

2.1.0

Verification Unit cooler
15-12-2020

Inlet air temperature	[°C]	4.0	Evaporating temperature [Mid]	[°C]	-4.0
DT [Dew]	[Δ°C]	6.1	Refrigerant *		R449A
Minimum number of units in room		0			
Heat exchanger		Aluminium fin	Casing		Standard
Fan motor feed		Standard	Type of fan motor		EC
Defrost		Absent			
Selected model:		1 x GCE 253E6	EC		
Capacity	[kW]	4.47	Margin	[%]	0.0
DT [Dew]	[Δ°C]	6.1	Tot. air flow	[m³/h]	2439.0



Weight	kg	31.000	PED Category		Cat I
Internal surface	m²	2.19	Design pressure PS	[bar]	30
Inlet connection		12 mm	External surface	m²	19.80
Total circuit capacity	dm³	3.2	Output connection		12 mm
Drain connection		1" GAS	Fin spacing	mm	6
Fan Motors	n.	3	Diameter	mm	250
Air flow	m³/h	2439	Air throw	m	11.0
Feed	V	230/1/50	Rotation speed	rpm	1300
Fan Motor	A	0.57	Absorbed power	W	90.0
Tot. Pres.S.Lev. 10 m.	dB(A)	36			



* The safety requirements for the use of refrigerants must comply with the provisions of the EN378 standards and the safety data sheets of each fluid used. The risk assessment for the use of A2L mid-flammable refrigerants shall be conducted by the user based on site requirements
EC fans: It is necessary to set these fans in order to get the required speed



User Gustav Hellsten

2.1.0

Verification Unit cooler
15-12-2020**EC****Heat exchanger**

Aluminium fin

Casing

Standard

Fan motor feed

Standard

Type of fan motor

EC - Electronically Commutated Motor

Defrost

Absent



* The safety requirements for the use of refrigerants must comply with the provisions of the EN378 standards and the safety data sheets of each fluid used. The risk assessment for the use of A2L mid-flammable refrigerants shall be conducted by the user based on site requirements
EC fans: It is necessary to set these fans in order to get the required speed