

BEAst

ODETTE
SWEDEN

**Transportindustri-
förbundet**

SMSI (Swedish Multi Sector Invoice)

Based on Global Invoice Message 2.0

www.beast.se

www.odette.se

www.swedfreight.se

SMSI (Swedish Multi Sector Invoice)
(Based on Global Invoice Message 2.0)

SMSI (Swedish Multi Sector Invoice)

Based on Global Invoice Message 2.0

International Copyright Information

This manual is subject to International Copyright as shown herein and **unauthorized** reproduction is not permitted. Contact one of the associations below to discuss reproduction permission. If translated, this manual has been translated and published for guidance only and is intended to help the understanding of the official English version.

AIAG Copyright and Trademark Notice:

The contents of all published materials are copyrighted by the Automotive Industry Action Group unless otherwise indicated. Copyright is not claimed as to any part of an original work prepared by a U.S. or state government officer or employee as part of the person's official duties. All rights are preserved by AIAG, and content may not be altered or disseminated, published, or transferred in part of such content. The information is not to be sold in part or whole to anyone within your organisation or to another company. Copyright infringement is a violation of federal law subject to criminal and civil penalties. AIAG and the Automotive Industry Action Group are registered service marks of the Automotive Industry Action Group.
© 2004 Automotive Industry Action Group

Japan Automobile Manufacturers Association (JAMA) Copyright Notice:

© 2004 Japan Automobile Manufacturers Association, Inc.

Japan Auto Parts Industries Association (JAPIA) Copyright Notice:

© 2004 Japan Auto Parts Industries Association

Odette Copyright Notice:

© 2004 Odette International Limited - All rights reserved.

Odette Sweden Copyright Notice:

© 2004 Odette Sweden - All rights reserved.

BEAst Copyright Notice:

© 2006 BEAst- All rights reserved.

Transportindustriförbundet Copyright Notice:

© 2006 Transportindustriförbundet - All rights reserved.

SMSI (Swedish Multi Sector Invoice)

(Based on Global Invoice Message 2.0)

Table of Contents

FOREWORD	4
Maintenance Publications	5
Acknowledgements	6
SECTION 1: INTRODUCTION	7
1.1 Problem Statement	7
1.1.1 Business Opportunity	7
1.1.2 Problem Statement	7
1.1.3. Scope	7
1.1.4. References	7
1.2 Introduction to the Modelling Approach	8
1.3 Stake holder's Needs	8
SECTION 2: BUSINESS PROCESS MODEL	9
SECTION 4: UN/EDIFACT MESSAGE IMPLEMENTATION GUIDELINE	10
4.1 Structure / Table of Contents	12
4.2 Branching Diagram of Used Segments and Segment Groups	19
4.3 Segment details	41
SECTION 5: BUSINESS FUNCTIONS COVERED BY THE MESSAGE	229
5.1 Invoice Profile	230
5.1.1 This message covers the invoicing function using one of the following processes.	230
5.1.2 Invoicing EU Directive 77/388/EC	231
5.1.3 Example Message for a Classic Invoice (Seller to Buyer) Intra-EU	233
5.1.4 Example Message for a Classic Invoice (Seller to Buyer) Domestic	235
5.1.5 Example Message for a Self billed Classic Invoice built on Despatch advise (Seller to Buyer) Domestic	236
5.2 Profile Chart	238
APPENDIX 1: MAINTENANCE REQUEST FORM	240
APPENDIX II: USED CODES	241

SMSI (Swedish Multi Sector Invoice)

(Based on Global Invoice Message 2.0)

FOREWORD

The global invoice project was started as a joint effort of AIAG, JAMA-JAPIA, and Odette to elaborate a harmonised electronic invoicing message as a common standard for global use in the automotive industry.

Participants in the project team are experts from automotive manufacturers and their suppliers as well as representatives of fiscal authorities, EDI and modelling experts.

Business experts in the project team were interviewed. Based on this information the business process was analysed and UML models of the process and connected activities were created. From these models the necessary data structures were derived.

The EDIFACT - standard was chosen as basis for the final electronic message. Included in the document are a description of the process and its variants, UML-model diagrams and a message implementation guideline for the EDIFACT message.

SMSI (Swedish Multi Sector Invoice)

SMSI has been developed together by three user organisations in Sweden representing automotive, building & construction and transports. The organisations behind are

Odette Sweden
BEAst, Bygg- och Fastighetssektorns Elektroniska Affärsstandard
Sveriges Transportindustriförbund

The idea behind SMSI is to help in harmonising e-invoicing across business sectors like automotive, building & construction and transports. In every company there is more than one kind of purchasing procedure, some procedures are more general and others are more specialised and linked to a specific business situation. SMSI responds to cross-sector common requirements applied in:

- Purchase for manufacturing with the exception of highly specialised logistics flows
- Purchase of non-production items like supply of office products, maintenance products etc
- Purchase of services like transports
- Billing invoices (telecom services, energy supply services, etc)

The SMSI project started as a joint effort to adapt to the new European legislation on invoicing and VAT. The results are common implementation guidelines for SMSI based on the automotive Global Invoice Message 2.0 and these are published in this document.

Complementary information about this specification is available on the following links:

www.beast.se
www.odette.se
www.swedfreight.se

SMSI (Swedish Multi Sector Invoice)

(Based on Global Invoice Message 2.0)

Maintenance Publications

The SMSI project has established a maintenance procedure. Please refer to the Maintenance Request Form at the back of this document to submit a request.

Addresses:

BEast

Vasagatan 52
111 20 Stockholm
tel. +46 (070) 663 32 19
www.beast.se
e-mail: kansli@beast.se

Sveriges Transportindustriförbund

Box 17114
(Ansgariegatan 10)
SE-104 62 Stockholm
tel. +46 (08) 442 43 80
fax +46 (08) 84 43 00
www.swedfreight.se
e-mail: kerstin.stenberg@greencargo.com (for Change requests)

Odette Sweden AB

Box 26173
(Karlavägen 14A)
SE-100 41 Stockholm, Sweden
tel +46 (08) 701 63 30
fax +46 (08) 791 23 11
www.odette.se
e-mail: sten.lindgren@odette.se

SMSI (Swedish Multi Sector Invoice)

(Based on Global Invoice Message 2.0)

Acknowledgements

The following people and organizations have contributed to the content of Global Invoice Message 2.0.

AIAG

Patricia Mariles	PeopleSoft Incorporated
Robert Mulvey	Dana Corporation, Victor Reinz Division
Patricia Toufar	Infor

JAMA

Yoshikazu Shiozawa	Toyota Motor Corporation
Masanori Oosawa	Fuji Heavy Industries,Ltd.
Takahiro Suzuki	Yamaha Motor Co.,Ltd
Takanori Yamakawa	Isuzu Motors Co.,Ltd.
Yasuhiko Miyazawa	Isuzu Motors Co.,Ltd.
Takayuki Oda	Hino Motors Co., Ltd.
Eiji Hokada	Hino Motors Co., Ltd.
Sadako Hasunuma	Nissan Diesel Motor co., Ltd.

JAPIA

Yoshiyuki Iwatomi	Calsonic Kansei Corporation
-------------------	-----------------------------

ODETTE

Per-Olof Frantzen	Volvo IT
Kirsten Scheffler	BMW AG

OTHER

David Watt	HM Customs and Excise
Jörg Walther	Gefeg mbH

SMSI (Odette Sweden, BEAst, Transportindustriförbundet)

The following have contributed to the content of SMSI (Swedish Multi Sector Invoice) Implementation Guidelines.

Anna Josefsson, Sveriges Transportindustriförbund
Bengt Hansson, Volvo Business Services
Birgitta Wallin, Scania
Lars-Göran Granström, Sveriges Transportindustriförbund
Sören Lennartsson, Sveriges Transportindustriförbund
Lena Odelberg, AB Volvo
Per-Lennart Persson, BEAst
Per-Olof Frantzén, Volvo IT
Stefan Sahlin, Scania
Sten Lindgren, Odette Sweden

SMSI (Swedish Multi Sector Invoice)

SECTION 1: INTRODUCTION

The SMSI specification is a cross-sector specification that has been developed by automotive, building & construction and transports sector representatives. SMSI builds on a global automotive specification and therefore some of the wordings in this specification refer back to the original document where many references are made to automotive environment. For the sake of clarification these references have been kept in the SMSI specification, as could be seen in Section 1.

1.1 Problem Statement

1.1.1 Business Opportunity

Any industry can reduce its costs by developing a common recommended business practice through the electronic exchange of Invoice Business Information. By being early to market, we hope to have industry participants adopt this practice.

In the process of supply and usage of goods there is one point in time when one party must accept financial liability for the goods that have been either ordered or received or consumed. The process of generating and transmitting the according statement is called the invoicing process and communicates that funds are due for material/services.

1.1.2 Problem Statement

The data model shall contain these core components that are absolutely essential for the purpose described above. In addition, it will contain all data that might be necessary for legal or business reasons in certain regions, countries, or companies.

Although our final deliverable is an EDIFACT message implementation guideline, the technology of describing the process and data also enables any interested organisation or party to derive other compatible EDI-structures, for instance, XML-Schemas.

1.1.3. Scope

The project describes the invoicing process and its variants. It considers the legal statement and, to a certain extent, arguments or corrections of an invoice. It does not explain thoroughly the process that leads to a business relationship between the parties and the actual supply. In detail the following functions will be in the scope of the INVOIC business domain:

- Traditional, supplier initiated invoice
- Self-billing invoice

The following tasks will **not** be in the scope of the INVOIC business domain:

- Reconciliation of an inaccurate invoice (commercial dispute)
- European and North American payment/remittance procedures

Compared with Global Invoice version 1, the following major changes / extensions apply:

- Additional information according to the Sixth European Union directive regarding tax exemption and special procedures.
- Several references to other business documents have been added on header and item level to enhance the business process traceability.
- The Tax Representative Party has been added.

1.1.4. References

- UN/EDIFACT INVOIC Message (D03A)
- UN/CEFACT's TMWG N090 Unified Modelling Methodology

SMSI (Swedish Multi Sector Invoice)

1.2 Introduction to the Modelling Approach

This specification is based on a modelling approach. However in this version the model is not presented due to formal reasons. There are still some Change Requests on the Global Invoice V2 message that have not yet been formally approved. Chapter 2 and 3 are therefore excluded in this version of the document and will be published later.

In a continuous effort to attain global EDI harmonisation using UN/EDIFACT messages, this document is based on UN/CEFACT N090 Unified Modelling Methodology. The N090 guideline provides a process for message development with the facilitation of UML.

The initial step is to create Business Domain Use Case Diagrams.

From these diagrams, Use Case Descriptions are constructed that lead to the Activity Diagram. Once these works are complete, with the means of data –modelling, the data structure for generating user documentation and technical specifications is created. This data model can be translated into UN/EDIFACT syntax, XML, and future data exchange formats.

The project also used the Business Process Worksheet templates recommended by UN/CEFACT's BPMWG.

1.3 Stake holder's Needs

Customer Expectations

- Trading partner agreements must be established. This includes the transport protocol that is vital in understanding the wrappers/enveloping, response requirements, syntax, and message format.
- Accept liability only for material /service provided according to orders sent and prices agreed upon.
- Generation of a business document that fulfils all legal and tax requirements
- Reliable flow of business instructions, material and/or services as necessary for the ongoing production process.

Supplier Expectations

- Trading partner agreements must be established. This includes the transport protocol, which is vital in understanding the wrappers/enveloping, response requirements, syntax of the message, and message format.
- Being accurately paid for material and service.
- Generation of a document that fulfils all legal and tax requirements.
- Reliable flow of business instructions in order to enable the sales and delivery of material and/or services on an established contractual base. This information must also conform to legal requirements in order to enable the invoicing process and financial claims.

Stakeholders Outside of the Business Domain

Anyone not involved in the financial reconciliation process is outside this domain, such as engineering and manufacturing related personnel.

SMSI (Swedish Multi Sector Invoice)

SECTION 2: BUSINESS PROCESS MODEL

This section will be published later.

SMSI (Swedish Multi Sector Invoice)

SECTION 4: UN/EDIFACT MESSAGE IMPLEMENTATION GUIDELINE

The message implementation guideline describes how the semantic content is being applied to the D.03A UN/EDIFACT standard message INVOIC.

It contains four different reports:

- A structure / table of contents report, which gives an overview of the segments and segment groups used in the message and their semantic usage.
- A branching diagram, which displays the structure in a different view.
- A segment details report, which explains the used segments in detail.
- A code lists report, which lists for each coded data element the applicable codes within the framework of this implementation guideline.

The original status information assigned by the UN/EDIFACT standard is expressed as follows:

UN/EDIFACT	Implementation
Status M	M - mandatory within the scope of next higher hierarchy level (composite data element, segment, segment group, or message) N - not used (applies only to component data elements), due to be subordinate to a not-used composite data element this component data element is not used
Status C	R - required within the scope of next higher hierarchy level (composite data element, segment, segment group, or message) O - optional within the scope of next higher hierarchy level (composite data element, segment, segment group, or message) D - depending; rules are described in the comment N - not used

SMSI (Swedish Multi Sector Invoice)

4.1 Structure / Table of Contents

Counter	No.	Tag	St	Rep	Content
0010	01	UNH	M	1	Message header
0020	02	BGM	M	1	Beginning of message
0030	03	DTM	M	1	Message date
0030	04	DTM	D	1	Tax point date
0030	05	DTM	D	2	Delivery date
0030	06	DTM	D	1	Dispath date and time
0030	07	DTM	D	1	Horizon start date
0030	08	DTM	D	1	Horizon end date
0030	09	DTM	D	1	Horizon period
0040	10	PAI	D	1	Means of payment
0050	11	ALI	D	5	Additional information
0070	12	FTX	D	3	Legal info free text
0070	13	FTX	D	2	Payment instructions free text
0070	14	FTX	D	1	General information free text
0070	15	FTX	D	1	Supplier Remarks free text
0070	16	FTX	D	1	Link to supplier URL.
0090	17	GEI	R	1	Processing indicator
0120		SG1	O	1	Other Reference
0130	18	RFF	M	1	Reference number's
0140	19	DTM	D	5	Date reference
0220		SG2	R	1	Buyer
0230	20	NAD	M	1	Buyer
0270		SG3	R	5	Buyer's reference number(s)
0280	21	RFF	M	1	Buyer's reference number(s)
0330		SG5	D	1	Buyer's accounting contact
0340	22	CTA	M	1	Contact information
0350	23	COM	O	5	Communication contact
0330		SG5	O	1	Buyer's information contact
0340	24	CTA	M	1	Contact information
0350	25	COM	O	5	Communication contact
0330		SG5	R	1	Buyer's purchase contact
0340	26	CTA	M	1	Contact information
0350	27	COM	O	5	Communication contact
0220		SG2	D	1	Buyer as officially registered
0230	28	NAD	D	1	Buyer's official address
0220		SG2	O	1	Invoicee
0230	29	NAD	M	1	Invoicee

SMSI (Swedish Multi Sector Invoice)

Counter	No. Tag	St	Rep	Content
0270	SG3	O	4	Invoicee's reference number(s)
0280	30 RFF	M	1	Invoicee's reference number(s)
0330	SG5	O	1	Invoicee's information contact
0340	31 CTA	M	1	Contact information
0350	32 COM	O	5	Communication contact
0330	SG5	O	2	Invoicee's notification contact
0340	33 CTA	M	1	Contact information
0350	34 COM	O	5	Communication contact
0220	SG2	O	1	Invoice TO
0230	35 NAD	M	1	Invoice TO
0220	SG2	O	1	Ship-to
0230	36 NAD	M	1	Ship-to
0270	SG3	O	4	Ship-to's reference number(s)
0280	37 RFF	M	1	Ship-to's reference number(s)
0330	SG5	O	2	Ship-to's delivery contact
0340	38 CTA	M	1	Contact information
0350	39 COM	O	5	Communication contact
0330	SG5	O	2	Ship-to's information contact
0340	40 CTA	M	1	Contact information
0350	41 COM	O	5	Communication contact
0220	SG2	O	1	Delivery Party
0230	42 NAD	M	1	Delivery Party
0240	43 LOC	D	1	Place/location identification
0270	SG3	O	4	Delivery Party reference number(s)
0280	44 RFF	M	1	Delivery Party reference number(s)
0330	SG5	O	2	Delivery Parties delivery contact
0340	45 CTA	M	1	Contact information
0350	46 COM	O	5	Communication contact
0330	SG5	O	2	Delivery Parties information contact
0340	47 CTA	M	1	Contact information
0350	48 COM	O	5	Communication contact
0220	SG2	R	1	Seller
0230	49 NAD	M	1	Seller
0250	50 FII	O	1	Seller's financial institution
0270	SG3	O	4	Seller's reference number(s)
0280	51 RFF	M	1	Sellers's reference number(s)

SMSI (Swedish Multi Sector Invoice)

Counter	No. Tag	St	Rep	Content
0330	SG5	O	1	Accounting contact
0340	52 CTA	O	1	Accounting contact
0350	53 COM	O	5	Communication contact
0330	SG5	O	1	Information contact
0340	54 CTA	M	1	Contact information
0350	55 COM	O	5	Communication contact
0330	SG5	O	1	Sales contact
0340	56 CTA	M	1	Contact information
0350	57 COM	O	5	Communication contact
0220	SG2	R	1	Seller as officially registered
0230	58 NAD	D	1	Seller's official address
0270	SG3	R	1	Sellers Official number(s)
0280	59 RFF	M	1	Sellers Official number(s)
0220	SG2	O	1	Payee
0230	60 NAD	M	1	Payee
0250	61 FII	O	1	Pay-to's financial institution
0270	SG3	O	4	Payee's reference number(s)
0280	62 RFF	M	1	Payee's reference number(s)
0330	SG5	O	1	Information contact
0340	63 CTA	M	1	Contact information
0350	64 COM	O	5	Communication contact
0220	SG2	O	1	Ship-from
0230	65 NAD	M	1	Ship-from
0270	SG3	O	3	Ship-from's reference number(s)
0280	66 RFF	M	1	Ship-from's reference number(s)
0330	SG5	O	1	Information contact
0340	67 CTA	M	1	Contact information
0350	68 COM	O	5	Communication contact
0220	SG2	O	1	Invoice issuer
0230	69 NAD	M	1	Invoice issuer
0270	SG3	O	3	Invoice issuer's reference number(s)
0280	70 RFF	M	1	Invoice issuer's reference number(s)
0330	SG5	O	1	Information contact
0340	71 CTA	M	1	Contact information
0350	72 COM	O	5	Communication contact
0220	SG2	D	1	Tax representative party

SMSI (Swedish Multi Sector Invoice)

Counter	No. Tag	St	Rep	Content
0230	73 NAD	M	1	Tax representative
0270	SG3	R	1	VAT registration number
0280	74 RFF	M	1	Reference
0360	SG6	O	5	VAT or other tax rate for VAT Exempt
0370	75 TAX	M	1	VAT or other tax rate line item
0400	SG7	R	1	Invoice and home or payment currency
0410	76 CUX	M	1	Currencies
0420	77 DTM	D	1	Exchange rate date
0400	SG7	O	1	Home currency
0410	78 CUX	M	1	Home currency
0420	79 DTM	O	1	Exchange rate date
0430	SG8	D	10	Payment instructions
0440	80 PYT	M	1	Payment terms
0450	81 DTM	O	1	Payment due date
0450	82 DTM	O	1	Reference date/time
0460	83 PCD	D	1	Discount, payment or instalment percentage
0470	84 MOA	O	1	Instalment, penalty, or discount amount
0500	SG9	C	10	TDT
0510	85 TDT	M	1	Transport information
0590	SG12	C	5	TOD-LOC
0600	86 TOD	M	1	Terms of delivery or transport
0610	87 LOC	C	2	Place/location identification
0740	SG16	D	9999	ALC-SG19-SG20-SG22
0750	88 ALC	M	1	Allowance or charge
0840	SG19	C	1	PCD
0850	89 PCD	M	1	Percentage details
0870	SG20	D	2	MOA
0880	90 MOA	M	1	Monetary amount
0950	SG22	C	5	TAX-MOA
0960	91 TAX	M	1	Duty/tax/fee details
0970	92 MOA	D	1	Monetary amount
1090	SG26	R	9999	Line item section
1100	93 LIN	M	1	Line item
1110	94 PIA	O	1	Additional article identifier(s) 1
1110	95 PIA	O	1	Additional article identifier(s) 2
1130	96 IMD	O	99	Description of article or service

SMSI (Swedish Multi Sector Invoice)

Counter	No. Tag	St	Rep	Content	
1140	97	MEA	D	1	Article net weight
1150	98	QTY	D	1	Invoiced quantity
1150	99	QTY	O	4	Other quantities
1170	100	ALI	O	1	Additional information
1180	101	DTM	D	2	Delivery date
1180	102	DTM	O	35	Other dates
1180	103	DTM	O	1	Start date and time
1180	104	DTM	O	1	END date and time
1190	105	GIN	O	1000	Goods identity number
1200	106	GIR	C	1000	Related identification numbers
1230	107	FTX	O	1	Party instruction text
1230	108	FTX	O	1	Supplier remarks text
1230	109	FTX	O	1	Product information text
1230	110	FTX	O	1	General information text
1230	111	FTX	O	1	Regulatory information text
1230	112	FTX	O	1	Link to supplier URL
1250		SG27	O	1	Line item net amount
1260	113	MOA	M	1	Line item net amount in invoice currency
1250		SG27	O	1	Line item gross amount
1260	114	MOA	M	1	Line item gross amount in invoice currency
1330		SG29	O	1	Calculation net price
1340	115	PRI	M	1	Price details
1330		SG29	O	1	Calculation gross price
1340	116	PRI	M	1	Price details
1390		SG30	O	10	References to messages
1400	117	RFF	M	1	Reference message number
1410	118	DTM	O	1	Reference message date
1550		SG34	O	5	VAT or other tax rate and amount for line item
1560	119	TAX	M	1	VAT or other tax rate line item
1570	120	MOA	O	1	VAT or other tax amount line item
1590		SG35	O	1	Ship-to party
1600	121	NAD	M	1	Ship-to
1610	122	LOC	O	1	Place of discharge
1610	123	LOC	O	1	Place of delivery or warehouse after discharge
1610	124	LOC	O	1	Manufacturing process
1690		SG38	O	4	Ship-to's contact
1700	125	CTA	M	1	Contact information

SMSI (Swedish Multi Sector Invoice)

Counter	No.	Tag	St	Rep	Content	
┌	1710	126	COM	O	5	Communication contact
┌	1590		SG35	O	1	Ship-from party
┌	1600	127	NAD	M	1	Ship-fom
┌	1610	128	LOC	O	2	Place/location identification
┌	1720		SG39	O	10	Allowances or charges
┌	1730	129	ALC	M	1	Allowance/charge
┌	1800		SG41	D	1	Allowance/charge - percentage
┌	1810	130	PCD	M	1	Allowance/charge Percentage
┌	1830		SG42	D	2	Allowance/charge - monetary amount
┌	1840	131	MOA	M	1	Allowance/charge - monetary amount
┌	1880		SG43	O	1	Allowance / charge rate per unit
┌	1890	132	RTE	M	1	Rate details
┌	1910		SG44	O	1	Allowance/charge - applicable VAT rate and amount
┌	1920	133	TAX	M	1	Allowance/charge - applicable VAT rate
┌	1930	134	MOA	O	1	Allowance/charge - applicable VAT amount
┌	1940		SG45	O	10	Transport details
┌	1950	135	TDT	M	1	Transport information
┌	1990		SG47	O	1	Terms of delivery
┌	2000	136	TOD	M	1	Terms of delivery - incoterms
┌	2010	137	LOC	O	1	Place/location identification
	2180	138	UNS	M	1	Section control
	2190	139	CNT	O	3	Control total
┌	2200		SG50	M	2	Invoice amount in invoicing currency
┌	2210	140	MOA	M	1	Invoice amount in invoicing currency
┌	2200		SG50	D	2	Invoice amount in home or payment currency
┌	2210	141	MOA	M	1	Invoice amount in home currency
┌	2200		SG50	D	1	Total taxable amount in invoicing currency
┌	2210	142	MOA	M	1	Total taxable amount in invoicing currency
┌	2200		SG50	D	2	Total taxable amount in home or payment currency
┌	2210	143	MOA	M	1	Total taxable amount in home currency
┌	2200		SG50	D	1	Total tax amount in invoicing currency
┌	2210	144	MOA	M	1	Total tax amount in invoicing currency
┌	2200		SG50	D	2	Total tax amount in home or payment currency
┌	2210	145	MOA	M	1	Total tax amount in home or payment currency
┌	2200		SG50	O	1	Total line items amount in invoicing currency
┌	2210	146	MOA	M	1	Total line items amount in invoicing currency

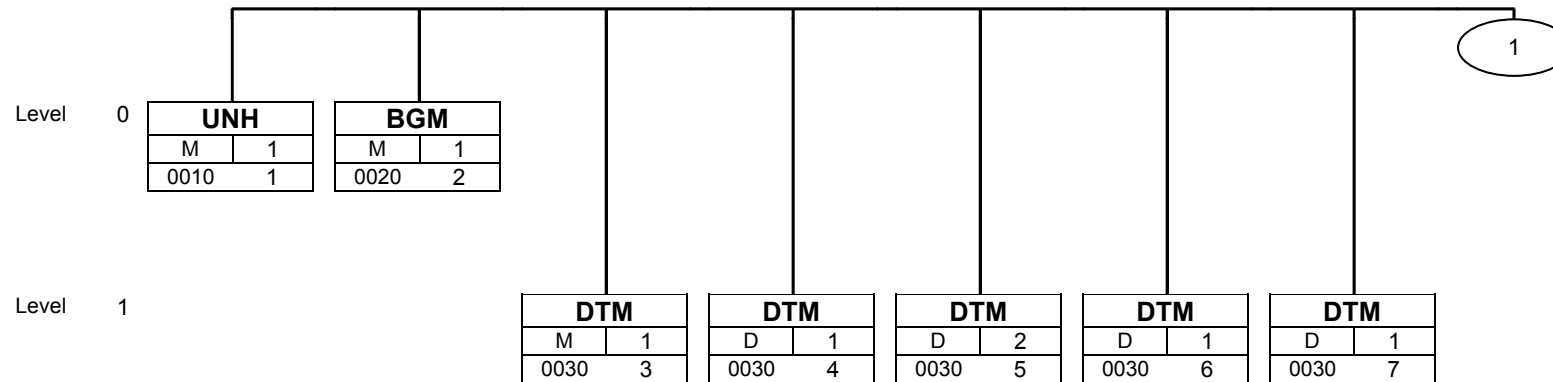
SMSI (Swedish Multi Sector Invoice)

Counter	No.	Tag	St	Rep	Content
□	2200	SG50	O	1	Total invoice additional amount in invoicing currency
□	2210	147 MOA	M	1	Total invoice additional amount in invoicing currency
□	2200	SG50	O	1	Total invoice price adjustment amount in invoicing currency
□	2210	148 MOA	M	1	Total invoice price adjustment amount in invoicing currency
□	2200	SG50	O	100	Non-taxable / exemption amount
□	2210	149 MOA	M	1	Non-taxable or exemption amount
□	2250	SG52	O	10	Tax rates and amounts
□	2260	150 TAX	M	1	Tax type
□	2270	151 MOA	D	1	Tax amount in invoice currency
□	2270	152 MOA	R	1	Taxable amount in invoice currency
□	2270	153 MOA	C	9	Monetary amount
	2330	154 UNT	M	1	Message trailer

SMSI (Swedish Multi Sector Invoice)

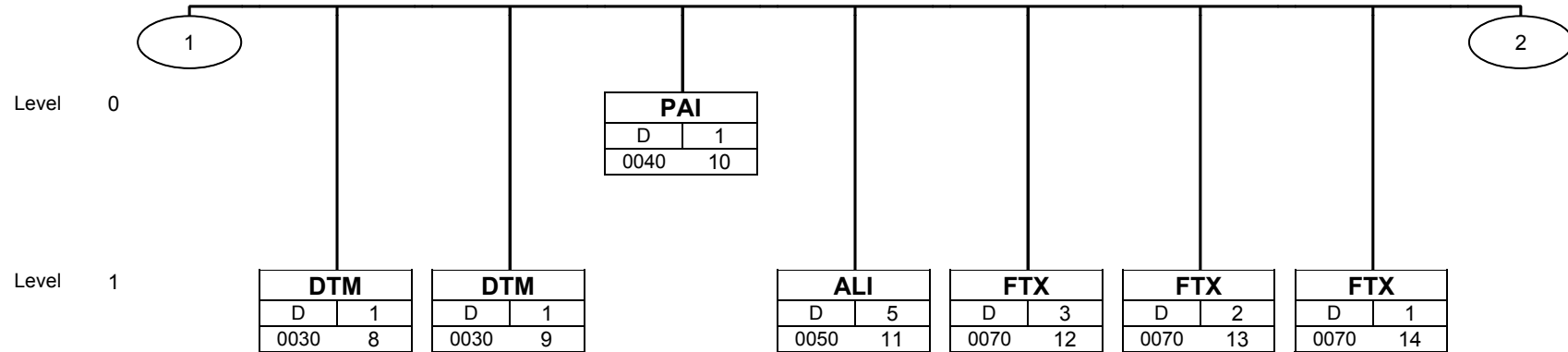
UN/EDIFACT Message: Segment details

4.2 Branching Diagram of Used Segments and Segment Groups



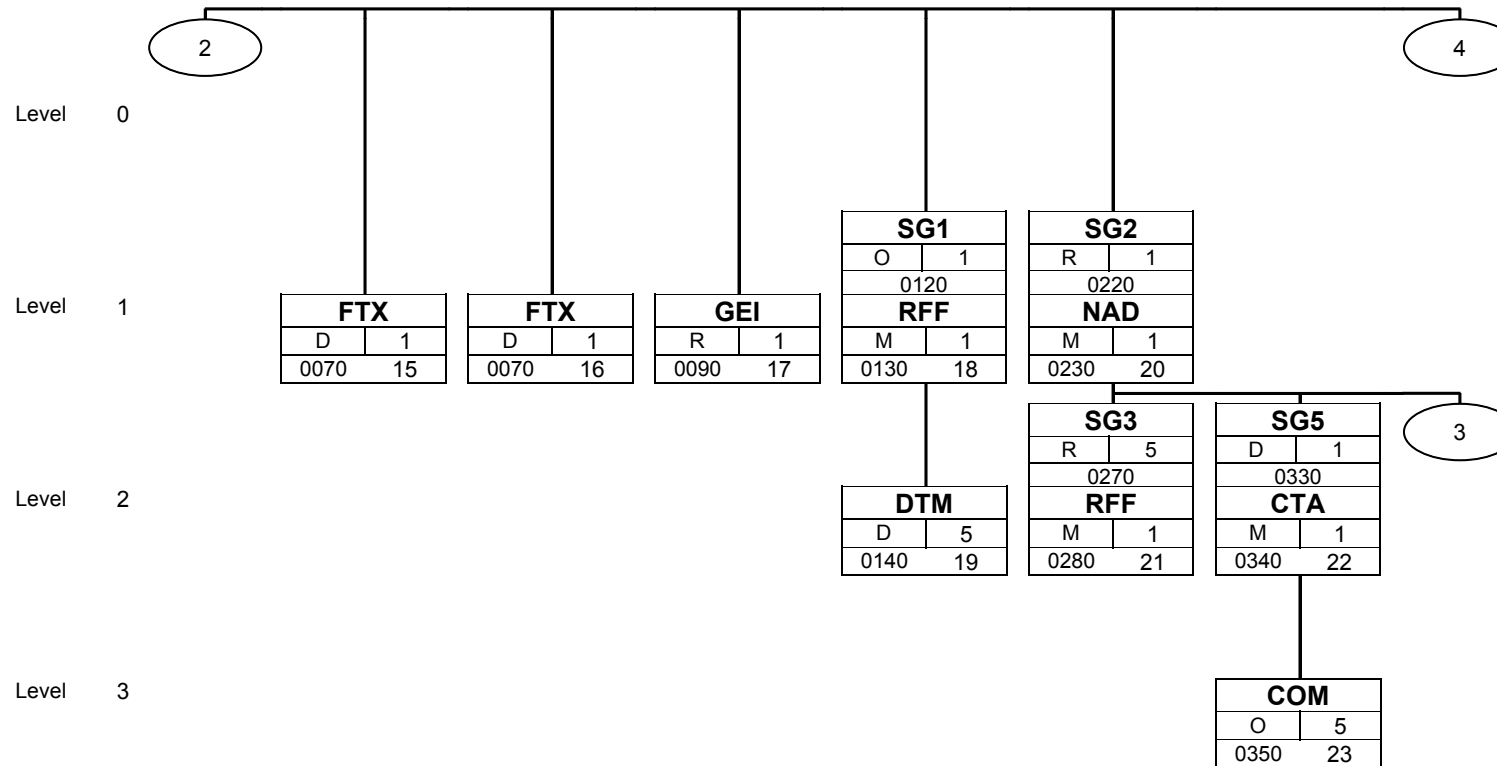
SMSI (Swedish Multi Sector Invoice)

UN/EDIFACT Message: Segment details



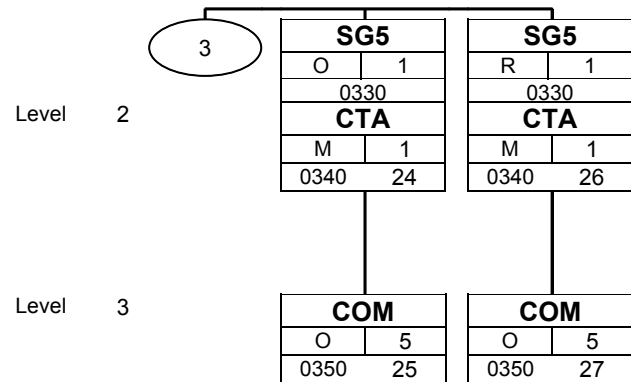
SMSI (Swedish Multi Sector Invoice)

UN/EDIFACT Message: Segment details



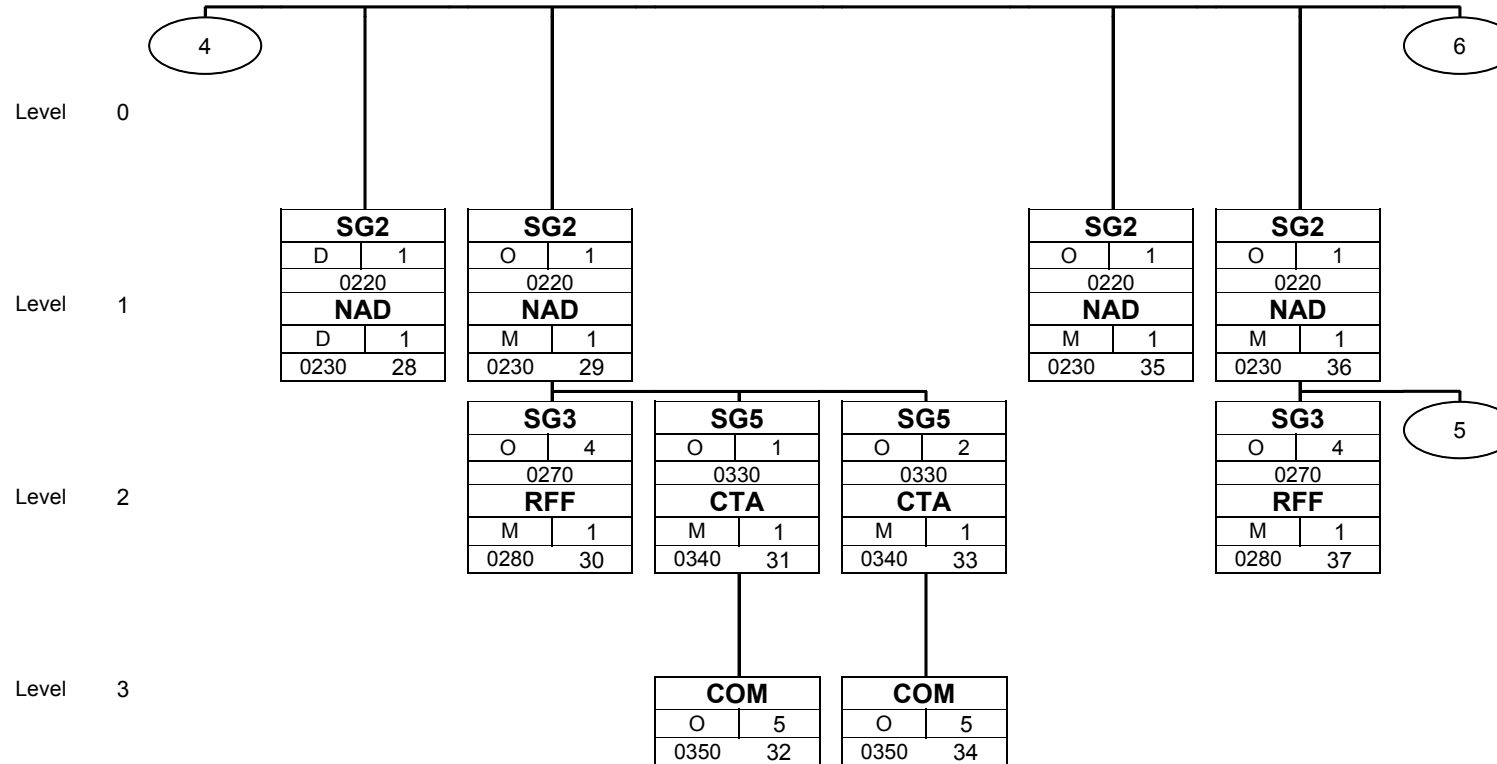
SMSI (Swedish Multi Sector Invoice)

UN/EDIFACT Message: Segment details



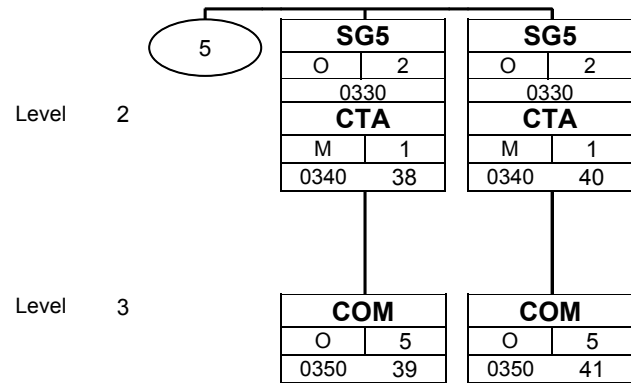
SMSI (Swedish Multi Sector Invoice)

UN/EDIFACT Message: Segment details



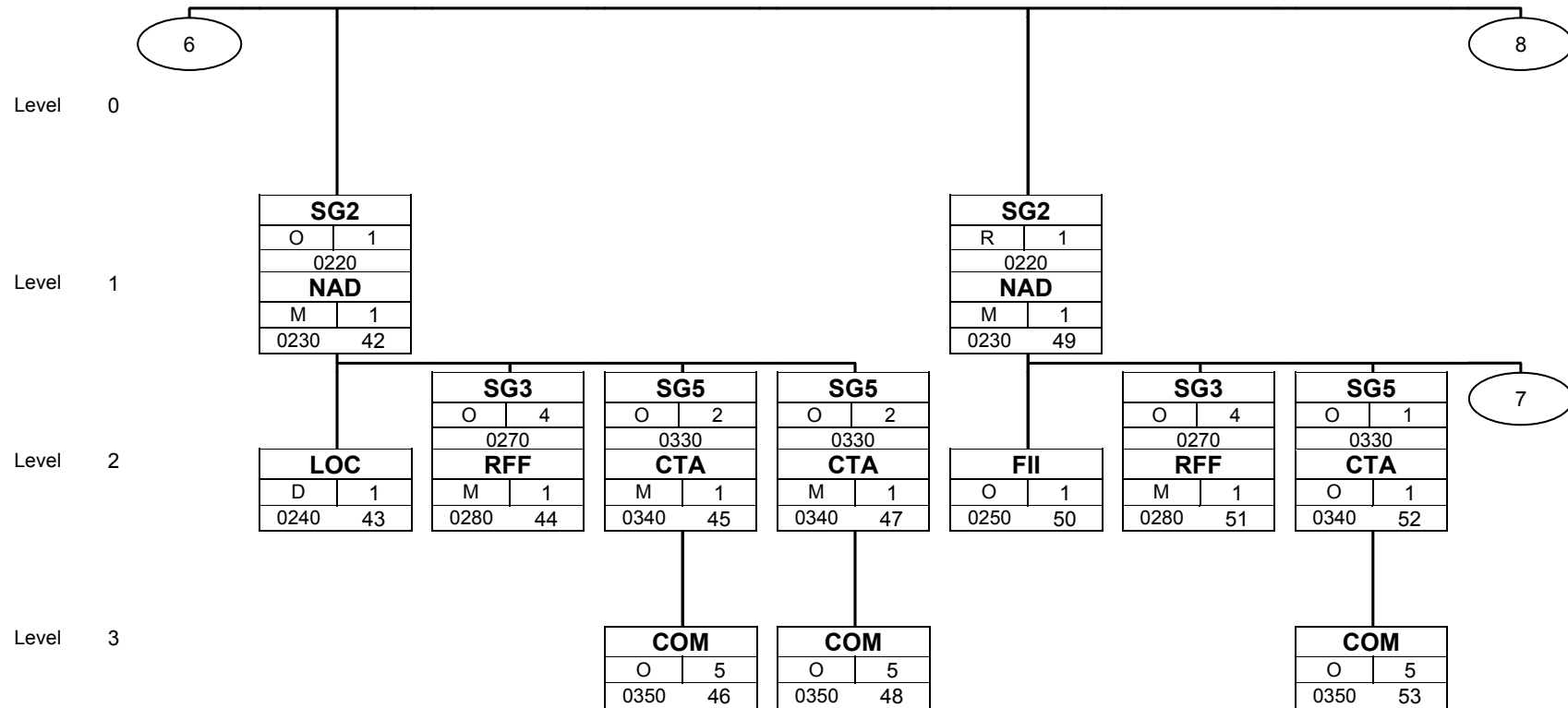
SMSI (Swedish Multi Sector Invoice)

UN/EDIFACT Message: Segment details



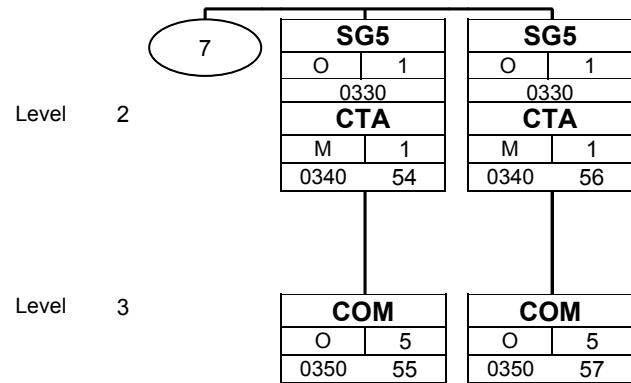
SMSI (Swedish Multi Sector Invoice)

UN/EDIFACT Message: Segment details



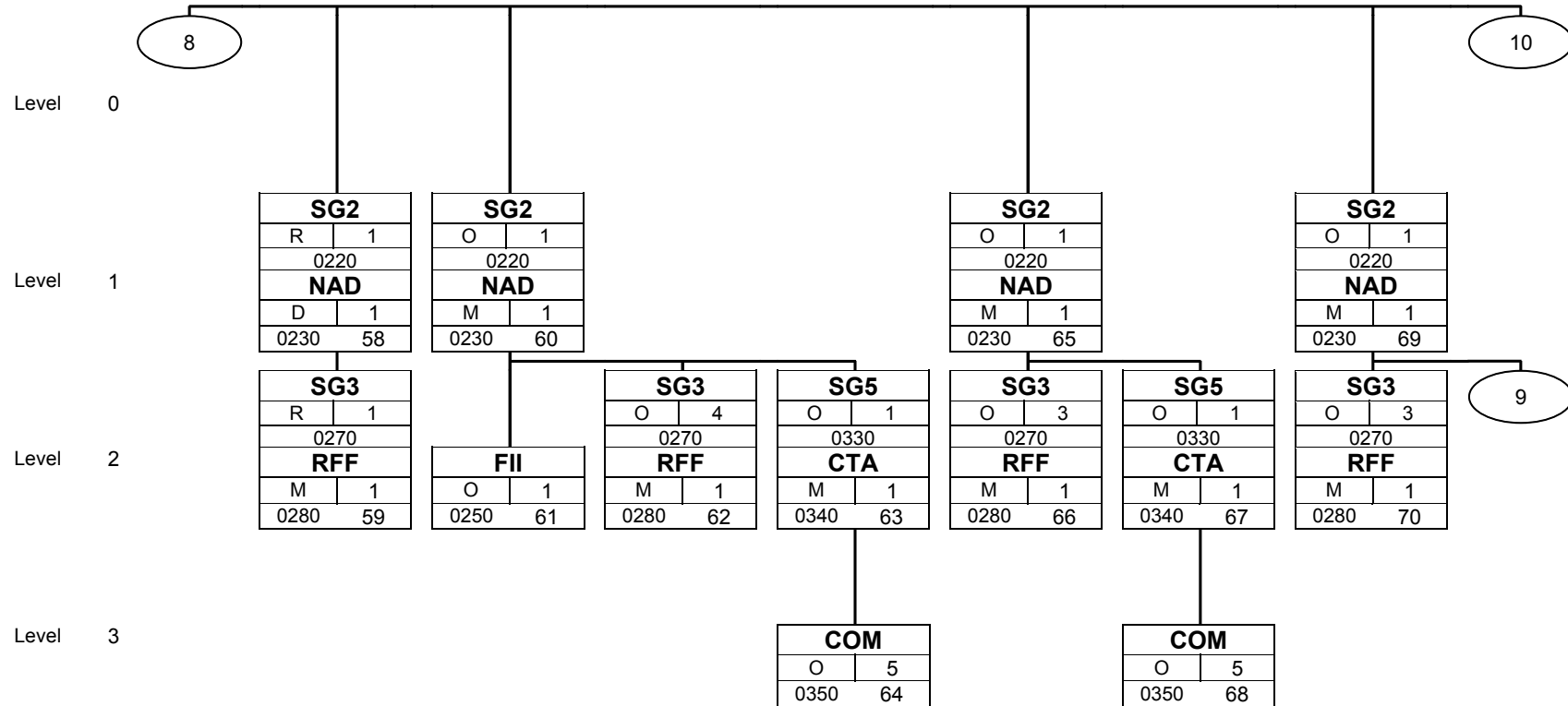
SMSI (Swedish Multi Sector Invoice)

UN/EDIFACT Message: Segment details



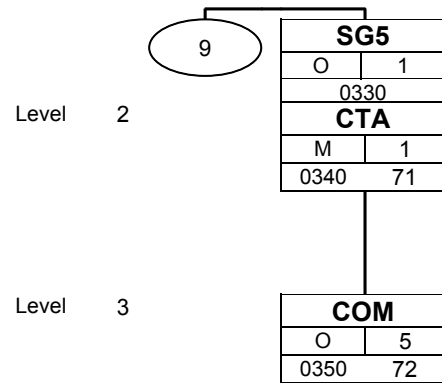
SMSI (Swedish Multi Sector Invoice)

UN/EDIFACT Message: Segment details



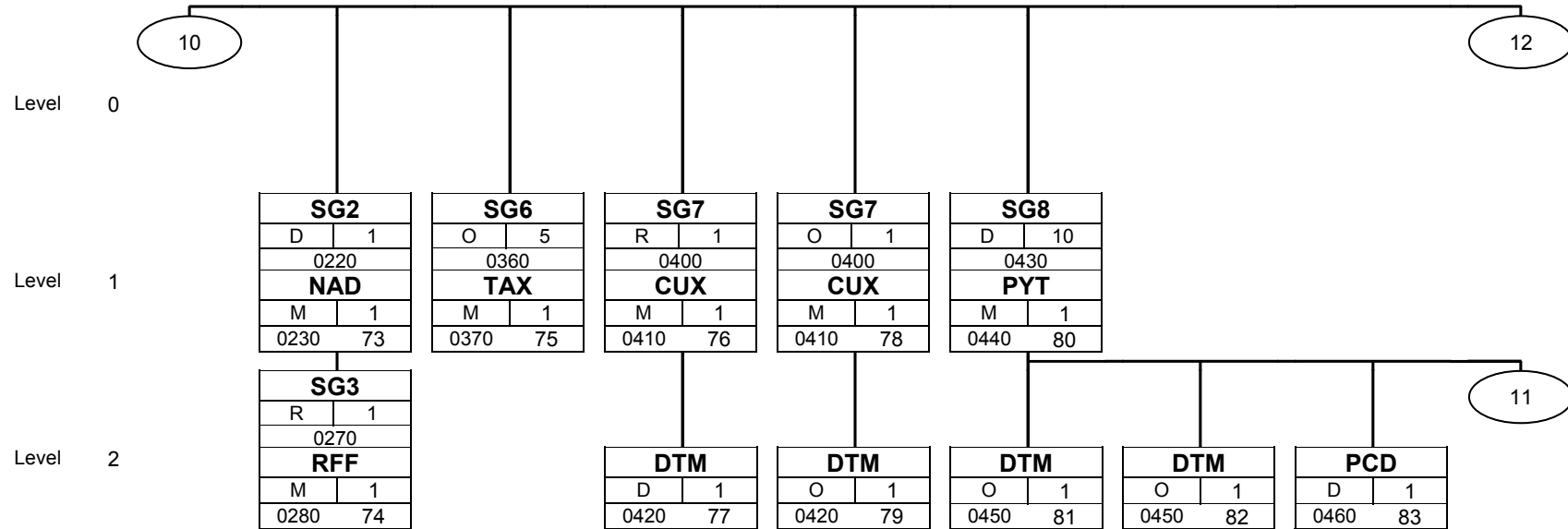
SMSI (Swedish Multi Sector Invoice)

UN/EDIFACT Message: Segment details



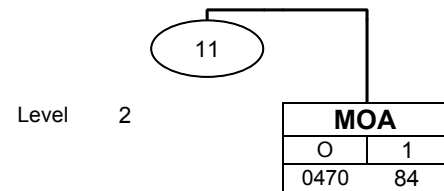
SMSI (Swedish Multi Sector Invoice)

UN/EDIFACT Message: Segment details



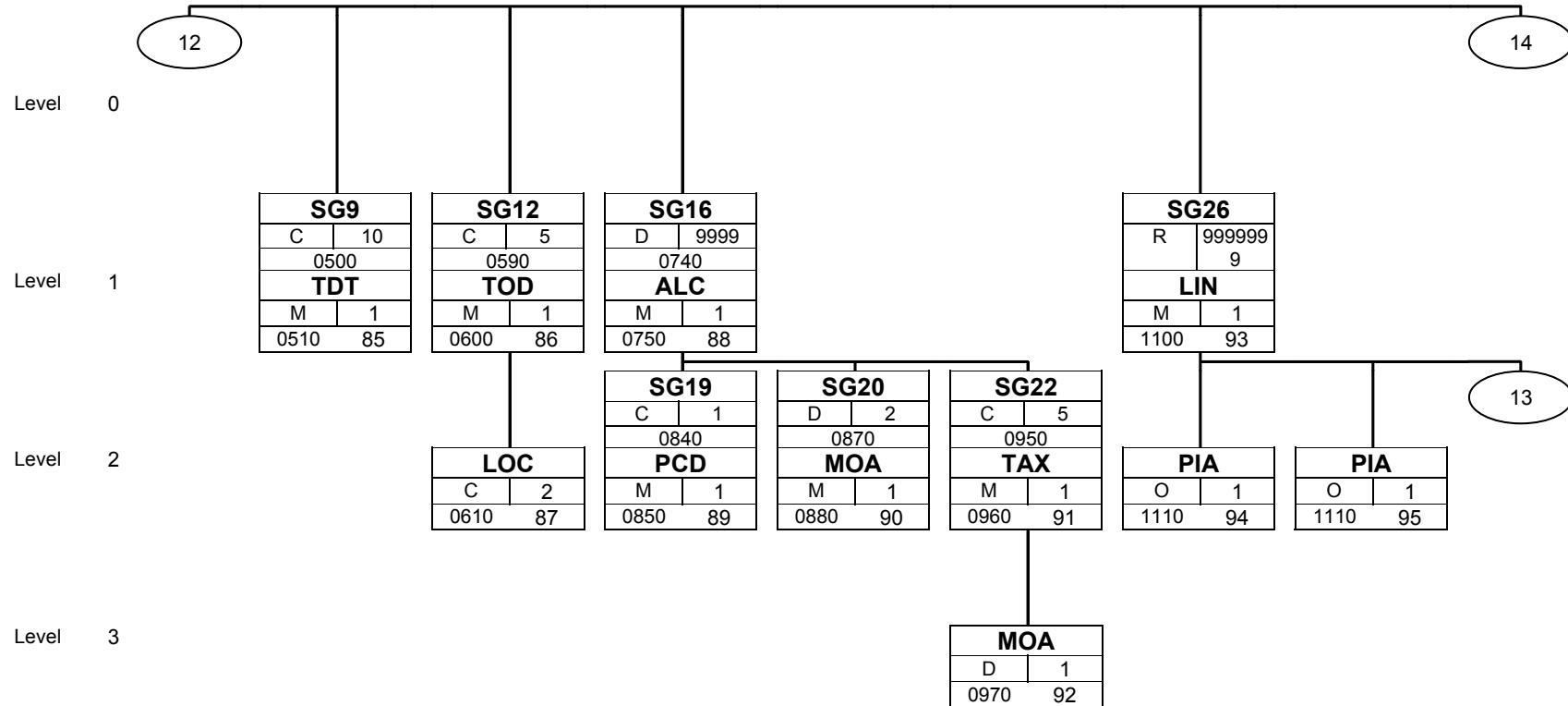
SMSI (Swedish Multi Sector Invoice)

UN/EDIFACT Message: Segment details



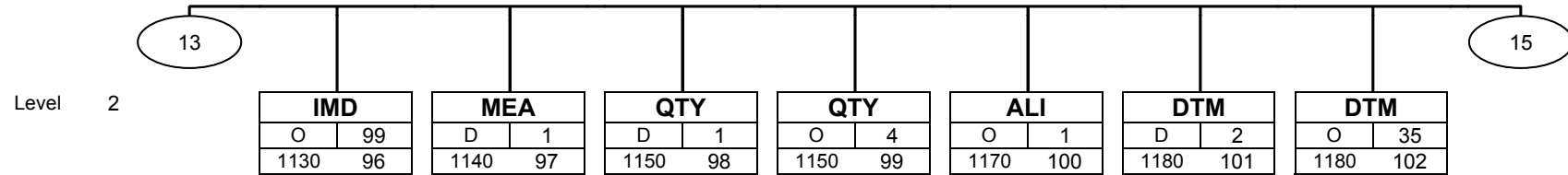
SMSI (Swedish Multi Sector Invoice)

UN/EDIFACT Message: Segment details



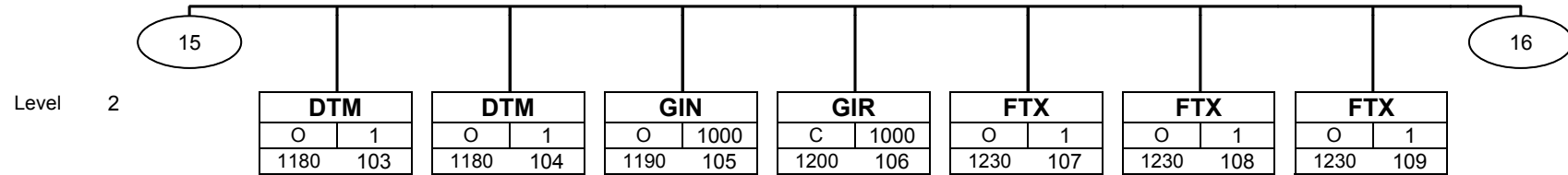
SMSI (Swedish Multi Sector Invoice)

UN/EDIFACT Message: Segment details



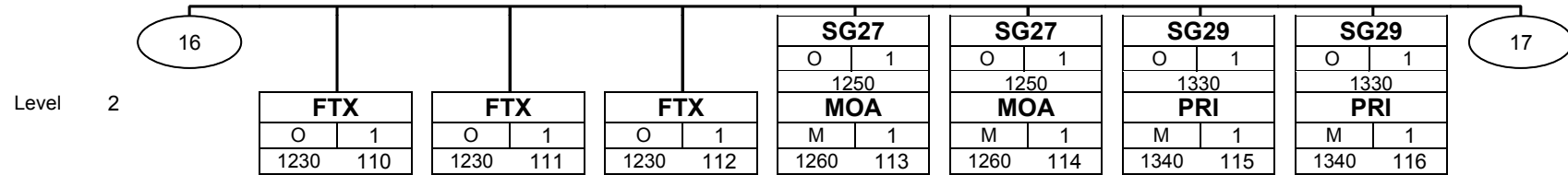
SMSI (Swedish Multi Sector Invoice)

UN/EDIFACT Message: Segment details



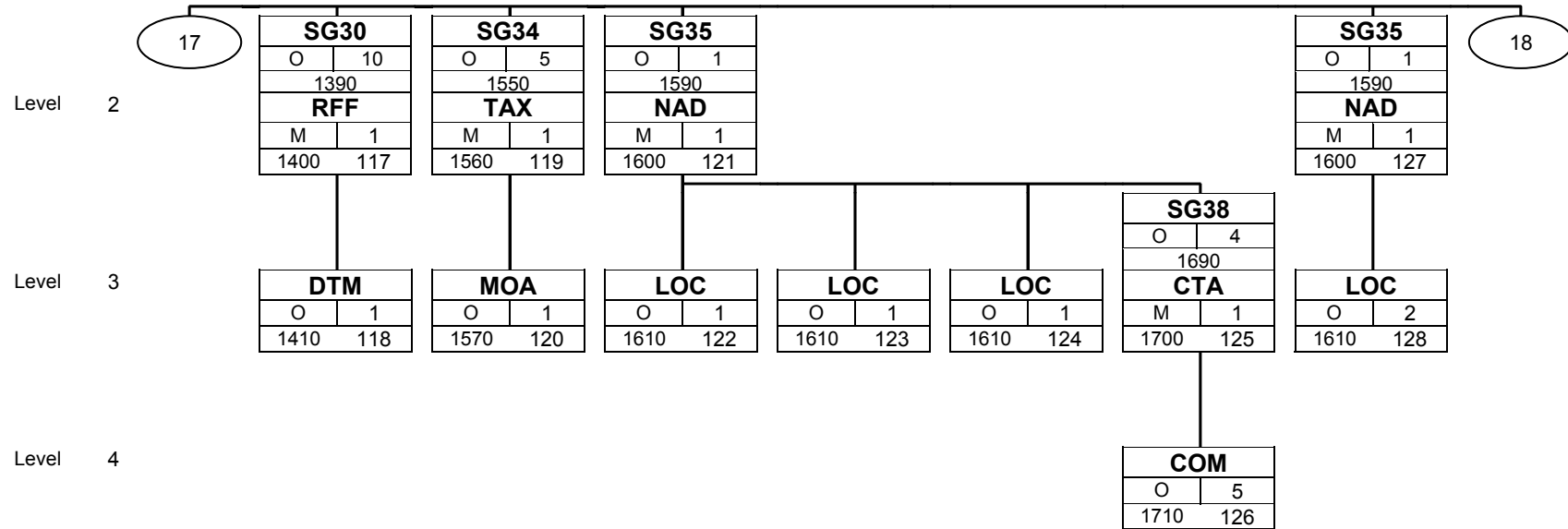
SMSI (Swedish Multi Sector Invoice)

UN/EDIFACT Message: Segment details



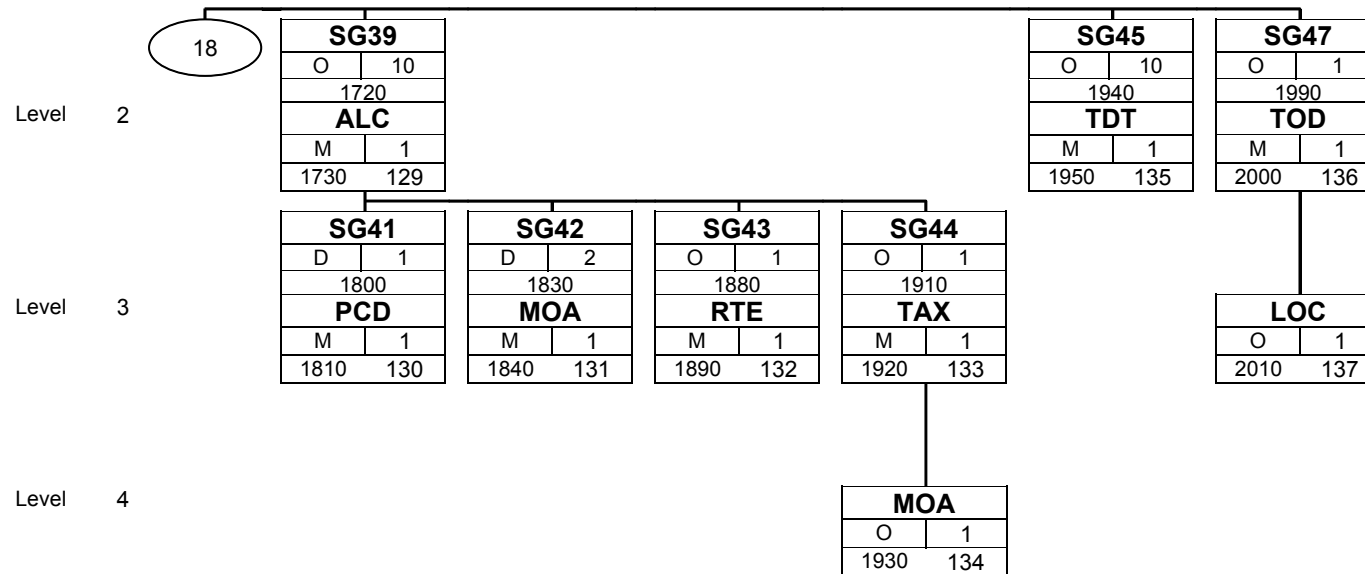
SMSI (Swedish Multi Sector Invoice)

UN/EDIFACT Message: Segment details



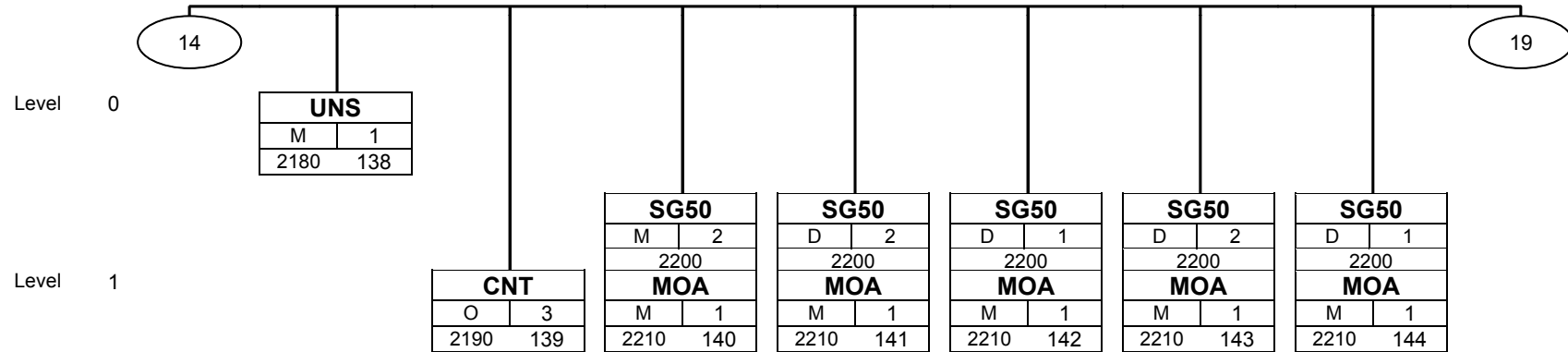
SMSI (Swedish Multi Sector Invoice)

UN/EDIFACT Message: Segment details



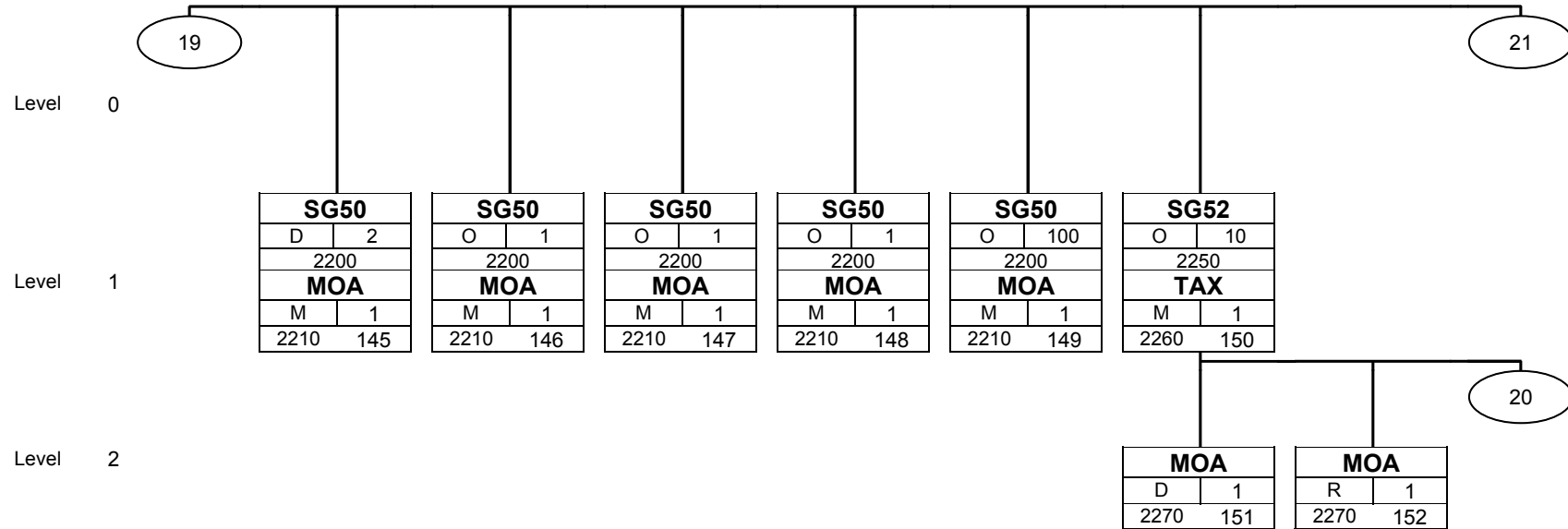
SMSI (Swedish Multi Sector Invoice)

UN/EDIFACT Message: Segment details



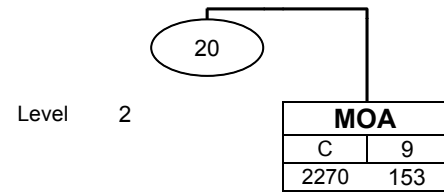
SMSI (Swedish Multi Sector Invoice)

UN/EDIFACT Message: Segment details



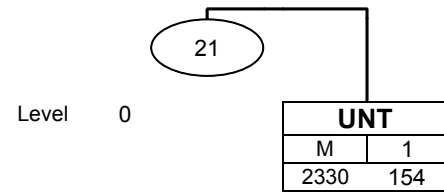
SMSI (Swedish Multi Sector Invoice)

UN/EDIFACT Message: Segment details



SMSI (Swedish Multi Sector Invoice)

UN/EDIFACT Message: Segment details



SMSI (Swedish Multi Sector Invoice)

UN/EDIFACT Message: Segment details

4.3 Segment details

Segment: UNH
 Seq. No.: 1 Level: 0 **Message header**
 Status: M Max. Occ.: 1
 Counter: 0010

Name: Message header

Description of segment:

UN/EDIFACT		Implementation		
	Name	St Format	St Format	Use / Remarks
UNH				
0062	Message reference number	M an..14	M an..14	Message reference number - unique number to identify the message within the interchange, usually a consecutive number starting with 1.
S009	Message identifier	M	M	
0065	Message type	M an..6	M an..6	INVOIC = Invoice message
0052	Message version number	M an..3	M an..3	D = Draft version/UN/EDIFACT Directory
0054	Message release number	M an..3	M an..3	ESAP/SFTI are using D96A
0051	Controlling agency	M an..2	M an..2	03A = Release 2003 - A
0057	Association assigned code	C an..6	R an6	NB= Nordic Building OD = ODETTE (Organization for Data Exchange through Tele- Transmission in Kompletteras, Nordic Building = NB0071, GMI012 = Global Automotive Industry INVOIC V2
0068	Common access reference	C an..35	N	not used
S010	Status of the transfer	C	N	not used
0070	Sequence of transfers	M n..2	N	not used
0073	First and last transfer	C a1	N	not used

Comment:

Example:

UNH+1+INVOIC:D:03A:UN:GMI012'

SMSI (Swedish Multi Sector Invoice)

UN/EDIFACT Message: Segment details

Segment: BGM
 Seq. No.: 2 Level: 0 **Beginning of message**
 Status: M Max. Occ.: 1
 Counter: 0020

Name: Beginning of message

Description of segment:

UN/EDIFACT		Implementation																										
Name	St Format	St Format	St Format	Use / Remarks																								
BGM																												
C002	Document/message name	C	R																									
1001	Document name code	C an..3	R an..3	<p>Message Type, Coded</p> <p>The following explanations are intended to support a unique usage of the different message types:</p> <p>Table of transaction types and their results</p> <table style="width: 100%; border-collapse: collapse;"> <tr> <td style="text-align: left;">Transaction</td> <td style="text-align: left;">Seller</td> <td style="text-align: left;">Buyer</td> </tr> <tr> <td colspan="3" style="text-align: center;">-----</td> </tr> <tr> <td>Invoice</td> <td>S2B</td> <td>Credit Debit</td> </tr> <tr> <td>Credit Note</td> <td>S2B</td> <td>Debit Credit</td> </tr> <tr> <td>Debit Note</td> <td>S2B</td> <td>Credit Debit</td> </tr> </table> <p>SBI Invoice B2S Credit Debit SBI Credit Note B2S Debit Credit SBI Debit Note B2S Credit Debit</p> <p>B2S - Buyer(sender) to seller(receiver) S2B - Seller(sender) to buyer(receiver)</p> <p>Any of the below listed message type codes might be used. Although it is strongly recommend to limit the usage according to the following table:</p> <p>Transaction Message type(s)</p> <p>-----</p> <table style="width: 100%; border-collapse: collapse;"> <tr> <td>Invoice</td> <td>S2B</td> <td>325,380,386,395</td> </tr> <tr> <td>Credit Note</td> <td>S2B</td> <td>381</td> </tr> <tr> <td>Debit Note</td> <td>S2B</td> <td>383</td> </tr> </table> <p>SBI Invoice B2S 389 82 = Own Profile see documentation EL/Tele (1) ODETTE code - to be used in conjunction with code 10 or 272 in data element 3055. (289) JAMA/JAPIA preliminary code - to be used in conjunction with code 289 or 272 in data element 3055. A DMR will be issued by JAMA/JAPIA and after approval of UN/CEFACT's EWG this code will be replaced by an official code.</p> <p>82 = Metered services invoice 325 = Proforma invoice 380 = Commercial invoice 381 = Credit note 383 = Debit note 389 = Self-billed invoice</p>	Transaction	Seller	Buyer	-----			Invoice	S2B	Credit Debit	Credit Note	S2B	Debit Credit	Debit Note	S2B	Credit Debit	Invoice	S2B	325,380,386,395	Credit Note	S2B	381	Debit Note	S2B	383
Transaction	Seller	Buyer																										

Invoice	S2B	Credit Debit																										
Credit Note	S2B	Debit Credit																										
Debit Note	S2B	Credit Debit																										
Invoice	S2B	325,380,386,395																										
Credit Note	S2B	381																										
Debit Note	S2B	383																										

SMSI (Swedish Multi Sector Invoice)

UN/EDIFACT Message: Segment details

1131	Code list identification code	C an..17	N	not used
3055	Code list responsible agency	C an..3	O an..3	It is recommended to use code 272 for codes, not included

SMSI (Swedish Multi Sector Invoice)

UN/EDIFACT Message: Segment details

UN/EDIFACT			Implementation	
	Name	St Format	St Format	Use / Remarks
	code			in the UN/EDIFACT standard code list. Regional code lists are scheduled to be united in a common code list of the joint automotive industry. 10 = ODETTE 272 = Joint Automotive Industry agency 181 = Edibuild
1000	Document name	C an..35	N	not used
C106	Document/message identification	C	R	
1004	Document identifier	C an..35	R an..17	Message Number Supplier Invoice Number
1056	Version identifier	C an..9	N	not used
1060	Revision identifier	C an..6	N	not used
1225	Message function code	C an..3	D an..3	Used by SFTI 9 = Original
4343	Response type code	C an..3	N	not used

Comment:

The Message Response Type Coded is used in reply to invoice only in the pre-invoicing process.

Example:

BGM+380+123456+9'

SMSI (Swedish Multi Sector Invoice)

UN/EDIFACT Message: Segment details

Segment: DTM
 Seq. No.: 3 Level: 1 **Date/time/period**
 Status: M Max. Occ.: 1
 Counter: 0030

Name: Message date

Description of segment:

UN/EDIFACT			Implementation	
	Name	St Format	St Format	Use / Remarks
DTM				
C507	Date/time/period	M	M	
2005	Date or time or period function code qualifier	M an..3	M an..3	The message date is perceived as synonym also for the invoice date. 137 = Document/message date/time
2380	Date or time or period text	C an..35	R n..14	
2379	Date or time or period format code	C an..3	R an..3	102 = CCYYMMDD

Comment:

Example:

DTM+137:20041231:102'

SMSI (Swedish Multi Sector Invoice)

UN/EDIFACT Message: Segment details

Segment: DTM
 Seq. No.: 4 Level: 1 **Date/time/period**
 Status: D Max. Occ.: 1
 Counter: 0030

Name: Tax point date

Description of segment:

UN/EDIFACT			Implementation	
	Name	St Format	St Format	Use / Remarks
DTM				
C507	Date/time/period	M	M	
2005	Date or time or period function code qualifier	M an..3	M an..3	131 = Tax point date
2380	Date or time or period text	C an..35	R n..16	
2379	Date or time or period format code	C an..3	R an..3	102 = CCYYMMDD

Comment:

If the message/invoice date (segment 3) is also synonymous with the Tax Point date, the tax point date does not have to be declared separately - only where the invoice date and the tax point dates are different does the latter have to be explicitly declared.

Example:

DTM+131:20041231:102'

SMSI (Swedish Multi Sector Invoice)

UN/EDIFACT Message: Segment details

Segment: DTM
 Seq. No.: 5 Level: 1 **Date/time/period**
 Status: D Max. Occ.: 2
 Counter: 0030

Name: Delivery date

Description of segment:

UN/EDIFACT		Implementation		
	Name	St Format	St Format	Use / Remarks
DTM				
C507	Date/time/period	M	M	
2005	Date or time or period function code qualifier	M an..3	M an..3	
				17
				35
				= Delivery date/time, estimated
				= Delivery date/time, actual
2380	Date or time or period text	C an..35	R n..12	
2379	Date or time or period format code	C an..3	R an..3	
				102
				= CCYYMMDD

Comment:

Example:

DTM+17:20041231:102'

SMSI (Swedish Multi Sector Invoice)

UN/EDIFACT Message: Segment details

Segment: DTM
 Seq. No.: 6 Level: 1 **Date/time/period**
 Status: D Max. Occ.: 1
 Counter: 0030

Name: Dispath date and time

Description of segment:

UN/EDIFACT			Implementation	
	Name	St Format	St Format	Use / Remarks
DTM				
C507	Date/time/period	M	M	
2005	Date or time or period function code qualifier	M an..3	M an..3	11 = Despatch date and or time
2380	Date or time or period text	C an..35	R n..12	
2379	Date or time or period format code	C an..3	R an..3	
				102 = CCYYMMDD

Comment:

Tax synonym with Tax point date.
 This code 11 means when the goods arrives to the customer.

Example:

DTM+11:20041231:102'

SMSI (Swedish Multi Sector Invoice)

UN/EDIFACT Message: Segment details

Segment: DTM
 Seq. No.: 7 Level: 1 **Date/time/period**
 Status: D Max. Occ.: 1
 Counter: 0030

Name: Horizon start date

Description of segment:

UN/EDIFACT		Implementation		
	Name	St Format	St Format	Use / Remarks
DTM				
C507	Date/time/period	M	M	
2005	Date or time or period function code qualifier	M an..3	M an..3	
				158 = Horizon start date
				167 = Charge period start date
2380	Date or time or period text	C an..35	R n..12	
2379	Date or time or period format code	C an..3	R an..3	
				102 = CCYYMMDD
				203 = CCYYMMDDHHMM

Comment:

Horizon start date describes the first date of an invoicing target period forming a horizon.
 Beast = 167 Borde va samma

Example:

DTM+158:20041201:102'

SMSI (Swedish Multi Sector Invoice)

UN/EDIFACT Message: Segment details

Segment: DTM
 Seq. No.: 8 Level: 1 **Date/time/period**
 Status: D Max. Occ.: 1
 Counter: 0030

Name: Horizon end date

Description of segment:

UN/EDIFACT		Implementation		
	Name	St Format	St Format	Use / Remarks
DTM				
C507	Date/time/period	M	M	
2005	Date or time or period function code qualifier	M an..3	M an..3	
				159 = Horizon end date
				168 = Charge period end date
2380	Date or time or period text	C an..35	R n..12	
2379	Date or time or period format code	C an..3	R an..3	
				102 = CCYYMMDD
				203 = CCYYMMDDHHMM

Comment:

Horizon end date describes the last date of an invoicing target period forming a horizon.
 Beast 168 Borde va samma

Example:

DTM+159:20041231:102'

SMSI (Swedish Multi Sector Invoice)

UN/EDIFACT Message: Segment details

Segment: DTM
 Seq. No.: 9 Level: 1 **Date/time/period**
 Status: D Max. Occ.: 1
 Counter: 0030

Name: Horizon period

Description of segment:

UN/EDIFACT		Implementation		
	Name	St Format	St Format	Use / Remarks
DTM				
C507	Date/time/period	M	M	
2005	Date or time or period function code qualifier	M an..3	M an..3	157 = Validity start date
2380	Date or time or period text	C an..35	R n..12	Horizon period
2379	Date or time or period format code	C an..3	R an..3	
				609 = YYMM
				6 = CCYYMMB
				610 = CCYYMM

Comment:

This segment is used, if the payment period has to be specified in the contract in terms of a month. It is used as an alternative to horizon start and horizon end date.

Example:

DTM+157:200412:610'

SMSI (Swedish Multi Sector Invoice)

UN/EDIFACT Message: Segment details

Segment: **PAI** Seq. No.: 10 Level: 0 Payment instructions
 Status: D Max. Occ.: 1
 Counter: 0040

Name: Means of payment

Description of segment:

UN/EDIFACT		Implementation		
	Name	St Format	St Format	Use / Remarks
PAI				
C534	Payment instruction details	M	M	
4439	Payment conditions code	C an..3	O an..3	See code list 4439
4431	Payment guarantee means code	C an..3	N	not used
4461	Payment means code	C an..3	O an..3	Ny kod för ZBG (1) ODETTE Code - to be used in conjunction with Code 10 or 272 in data element 3055. 1 = Instrument not defined 10 = In cash 20 = Cheque 21 = Banker's draft 22 = Certified banker's draft 23 = Bank cheque (issued by a banking or similar establishment) 25 = Certified cheque 30 = Credit transfer 31 = Debit transfer 60 = Promissory note 61 = Promissory note signed by the debtor 62 = Promissory note signed by the debtor and endorsed by a bank 63 = Promissory note signed by the debtor and endorsed by a third party 64 = Promissory note signed by a bank 65 = Promissory note signed by a bank and endorsed by another bank 50 = Payment by postgiro 66 = Promissory note signed by a third party 67 = Promissory note signed by a third party and endorsed by a bank 70 = Bill drawn by the creditor on the debtor 74 = Bill drawn by the creditor on a bank 75 = Bill drawn by the creditor, endorsed by another bank 76 = Bill drawn by the creditor on a bank and endorsed by a third party 77 = Bill drawn by the creditor on a third party 78 = Bill drawn by creditor on third party, accepted and endorsed by bank 95 = Free format giro 24 = (1) 31 = (1) 32 = (1) 40 = (1) 41 = (1) 42 = (1) 43 = (1) 44 = (1) 45 = (1) 50 = (1) 51 = (1)

SMSI (Swedish Multi Sector Invoice)

UN/EDIFACT Message: Segment details

UN/EDIFACT			Implementation	
	Name	St Format	St Format	Use / Remarks
				52 = (1) 53 = (1) 54 = (1) 55 = (1)
1131	Code list identification code	C an..17	N	not used
3055	Code list responsible agency code	C an..3	O an..3	It is recommended to use code 272 for codes, not included in the UN/EDIFACT standard code list. Regional code lists are scheduled to be united in a common code list of the joint automotive industry. 6 = UN/ECE (United Nations - Economic Commission for Europe) 9 = EAN International (GS1) 10 = ODETTE 272 = Joint Automotive Industry agency
4435	Payment channel code	C an..3	N	not used

Comment:

Example:

PAI+1:::31:::10'

SMSI (Swedish Multi Sector Invoice)

UN/EDIFACT Message: Segment details

Segment: ALI
 Seq. No.: 11 Level: 1 **Additional information**
 Status: D Max. Occ.: 5
 Counter: 0050

Name: Additional information

Description of segment:

UN/EDIFACT			Implementation	
	Name	St Format	St Format	Use / Remarks
ALI				
3239	Country of origin name code	C an..3	C an..3	
9213	Duty regime type code	C an..3	N	not used
4183	Special condition code	C an..3	R an..3	79E= error in deliver Z01= damage goods 108 = Financial compensation 140 = Return of goods 141 = Subject to annual bonus
4183	Special condition code	C an..3	N	not used
4183	Special condition code	C an..3	N	not used
4183	Special condition code	C an..3	N	not used
4183	Special condition code	C an..3	N	not used

Comment:

Example:

SMSI (Swedish Multi Sector Invoice)

UN/EDIFACT Message: Segment details

Segment: FTX
 Seq. No.: 12 Level: 1 **Free text**
 Status: D Max. Occ.: 3
 Counter: 0070

Name: Legal info free text

Description of segment:

UN/EDIFACT		Implementation		
	Name	St Format	St Format	Use / Remarks
FTX				
4451	Text subject code qualifier	M an..3	M an..3	Free Text Qualifier REG=SFTI:s are using this code to state VAT exempt on the invoice due to new EU invoice directive. See also in TAX 5305 for use in coded form. ABL = Government information REG = Regulatory information TXD = Tax declaration
4453	Free text function code	C an..3	R an..3	1 = Text for subsequent use
C107	Text reference	C	N	not used
4441	Free text description code	M an..17	N	not used
1131	Code list identification code	C an..17	N	not used
3055	Code list responsible agency code	C an..3	N	not used
C108	Text literal	C	R	
4440	Free text	M an..512	M an..256	
4440	Free text	C an..512	O an..256	see 4440 # 1
4440	Free text	C an..512	O an..256	see 4440 # 1
4440	Free text	C an..512	O an..256	see 4440 # 1
4440	Free text	C an..512	O an..256	see 4440 # 1
3453	Language name code	C an..3	O an..3	
4447	Free text format code	C an..3	N	not used

Comment:

Example:

FTX+ABL+++Legal info text+en'

SMSI (Swedish Multi Sector Invoice)

UN/EDIFACT Message: Segment details

Segment: **FTX**
 Seq. No.: 13 Level: 1 **Free text**
 Status: D Max. Occ.: 2
 Counter: 0070

Name: Payment instructions free text

Description of segment:

UN/EDIFACT		Implementation		
	Name	St Format	St Format	Use / Remarks
FTX				
4451	Text subject code qualifier	M an..3	M an..3	AAB = Terms of payments
4453	Free text function code	C an..3	O an..3	
C107	Text reference	C	N	not used
4441	Free text description code	M an..17	N	not used
1131	Code list identification code	C an..17	N	not used
3055	Code list responsible agency code	C an..3	N	not used
C108	Text literal	C	R	
4440	Free text	M an..512	M an..256	
4440	Free text	C an..512	O an..256	see 4440 # 1
4440	Free text	C an..512	O an..256	see 4440 # 1
4440	Free text	C an..512	O an..256	see 4440 # 1
4440	Free text	C an..512	C an..256	see 4440 # 1
3453	Language name code	C an..3	O an..3	Any language code according to ISO 639-1988 is applicable.
4447	Free text format code	C an..3	N	not used

Comment:

Example:

FTX+AAB+++Payment text+en'

SMSI (Swedish Multi Sector Invoice)

UN/EDIFACT Message: Segment details

Segment: FTX
 Seq. No.: 14 Level: 1 **Free text**
 Status: D Max. Occ.: 1
 Counter: 0070

Name: General information free text

Description of segment:

UN/EDIFACT			Implementation	
	Name	St Format	St Format	Use / Remarks
FTX				
4451	Text subject code qualifier	M an..3	M an..3	ZOB = Slag av objekt enl. sälj. system AAI = General information GEN = Entire transaction set
4453	Free text function code	C an..3	O an..3	
C107	Text reference	C	N	not used
4441	Free text description code	M an..17	N	not used
1131	Code list identification code	C an..17	N	not used
3055	Code list responsible agency code	C an..3	N	not used
C108	Text literal	C	R	
4440	Free text	M an..512	M an..256	
4440	Free text	C an..512	O an..256	see 4440 # 1
4440	Free text	C an..512	O an..256	see 4440 # 1
4440	Free text	C an..512	O an..256	see 4440 # 1
4440	Free text	C an..512	O an..256	see 4440 # 1
3453	Language name code	C an..3	O an..3	
4447	Free text format code	C an..3	N	not used

Comment:

Beast: GEN

Example:

FTX+AAI+++General information text+en'

SMSI (Swedish Multi Sector Invoice)

UN/EDIFACT Message: Segment details

Segment: FTX
 Seq. No.: 15 Level: 1 **Free text**
 Status: D Max. Occ.: 1
 Counter: 0070

Name: Supplier Remarks free text

Description of segment:

UN/EDIFACT		Implementation		
	Name	St Format	St Format	Use / Remarks
FTX				
4451	Text subject code qualifier	M an..3	M an..3	SUR = Supplier remarks
4453	Free text function code	C an..3	O an..3	
C107	Text reference	C	N	not used
4441	Free text description code	M an..17	N	not used
1131	Code list identification code	C an..17	N	not used
3055	Code list responsible agency code	C an..3	N	not used
C108	Text literal	C	R	
4440	Free text	M an..512	M an..256	
4440	Free text	C an..512	O an..256	see 4440 # 1
4440	Free text	C an..512	O an..256	see 4440 # 1
4440	Free text	C an..512	O an..256	see 4440 # 1
4440	Free text	C an..512	O an..256	see 4440 # 1
3453	Language name code	C an..3	O an..3	
4447	Free text format code	C an..3	N	not used

Comment:

Beast: Nya koder ABL,TXD,REG. ZOB kolla denna

Example:

FTX+SUR+++Supplier information text+en'

SMSI (Swedish Multi Sector Invoice)

UN/EDIFACT Message: Segment details

Segment: FTX
 Seq. No.: 16 Level: 1 **Free text**
 Status: D Max. Occ.: 1
 Counter: 0070

Name: Link to supplier URL.

Description of segment:

UN/EDIFACT			Implementation	
	Name	St Format	St Format	Use / Remarks
FTX				
4451	Text subject code qualifier	M an..3	M an..3	ZUR = Link to URL providing info
4453	Free text function code	C an..3	R an..3	This code is used by SFTI 1 = Text for subsequent use
C107	Text reference	C	N	not used
4441	Free text description code	M an..17	N	not used
1131	Code list identification code	C an..17	N	not used
3055	Code list responsible agency code	C an..3	N	not used
C108	Text literal	C	R	
4440	Free text	M an..512	M an..256	
4440	Free text	C an..512	O an..256	see 4440 # 1
4440	Free text	C an..512	O an..256	see 4440 # 1
4440	Free text	C an..512	O an..256	see 4440 # 1
4440	Free text	C an..512	O an..256	see 4440 # 1
3453	Language name code	C an..3	O an..3	
4447	Free text format code	C an..3	N	not used

Comment:

SFTI ny kod ZUR, = länk till URL

Example:

FTX+ZUR+++URL-Länk+en'

SMSI (Swedish Multi Sector Invoice)

UN/EDIFACT Message: Segment details

Segment: GEI
 Seq. No.: 17 Level: 1 **Processing information**
 Status: R Max. Occ.: 1
 Counter: 0090

Name: Processing indicator

Description of segment:

UN/EDIFACT			Implementation	
	Name	St Format	St Format	Use / Remarks
GEI				
9649	Processing information code qualifier	M an..3	M an..3	Codes have been defined by GIP in ODDC047 - to be used with code 10 or 272 in DE 3055. PM = (1) OM = (1)
C012	Processing indicator	C	O	
7365	Processing indicator description code	C an..3	N	not used
1131	Code list identification code	C an..17	N	not used
3055	Code list responsible agency code	C an..3	R an..3	It is recommended to use code 272 for codes, not included in the UN/EDIFACT standard code list. Regional code lists are scheduled to be united in a common code list of the joint automotive industry. 10 = ODETTE 272 = Joint Automotive Industry agency
7364	Processing indicator description	C an..35	N	not used
7187	Process type description code	C an..17	N	not used

Comment:

Example:

GEI+PM+ : : 272 '

SMSI (Swedish Multi Sector Invoice)

UN/EDIFACT Message: Segment details

Group: SG1 Status: O Max. Occ.: 1 Other Reference

Segment: RFF Seq. No.: 18 Level: 1 **Reference**
 Status: M Max. Occ.: 1
 Counter: 0130

Name: **Reference number's**

Description of segment:

UN/EDIFACT		Implementation		
	Name	St Format	St Format	Use / Remarks
RFF				
C506	Reference	M	M	
1153	Reference code qualifier	M an..3	M an..3	Beast: ZSU = Invoice number from supplier for supplier chain financing ZIV = Suppliers original invoice number for supplier chain financing Odette: ESAP scenario 6 and 9 AAG = Offer number AAI = Bank's individual interbank transaction reference number AAJ = Delivery order number AAK = Despatch advice number AAS = Transport document number ADE = Account number ADT = Group accounting AOU = Cost account AEH = Applicable instructions or standards AEP = Project number AER = Project specification number CD = Credit note number COF = Call off order number CR = Customer reference number CT = Contract number CU = Consignor's reference number DQ = Delivery note number IV = Invoice number ON = Buyers order number POR = Purchase order response number VN = Order number (vendor) PL = Price list number PD = Promotion deal number PQ = Payment reference AGK = Application reference number AP = Accounts receivable number CT = Contract number CR = Customer reference number PL = Price list number IV = Invoice number AAK = Despatch advice number DQ = Delivery note number ON = Buyers order number
1154	Reference identifier	C an..70	R an..70	Application reference number provides a logical bracket embracing several invoice messages.
1156	Document line identifier	C an..6	N	not used
4000	Reference version identifier	C an..35	N	not used
1060	Revision identifier	C an..6	N	not used

SMSI (Swedish Multi Sector Invoice)

UN/EDIFACT Message: Segment details

Comment:

Example:

RFF+DQ:123'

SMSI (Swedish Multi Sector Invoice)

UN/EDIFACT Message: Segment details

Group: **SG2** Status: R Max. Occ.: 1 Buyer

Segment: **NAD** Seq. No.: 20 Level: 1 **Name and address**
 Status: M Max. Occ.: 1
 Counter: 0230

Name: Buyer

Description of segment:

UN/EDIFACT		Implementation		
	Name	St Format	St Format	Use / Remarks
NAD				
3035	Party function code qualifier	M an..3	M an..3	BY = Buyer
C082	Party identification details	C	R	
3039	Party identifier	M an..35	M an..35	
1131	Code list identification code	C an..17	N	not used
3055	Code list responsible agency code	C an..3	R an..3	
				5 = ISO (International Organization for Standardization) 10 = ODETTE 16 = US, D&B (Dun & Bradstreet Corporation) 91 = Assigned by seller or seller's agent 92 = Assigned by buyer or buyer's agent 289 = JP,JIPDEC/ECPC (Japan Information Processing Development Center / Electronic Commerce Promotion Center) 9 = EAN International (GS1)
C058	Name and address	C	N	not used
3124	Name and address description	M an..35	N	not used
3124	Name and address description	C an..35	N	see 3124 # 1 not used
3124	Name and address description	C an..35	N	see 3124 # 1 not used
3124	Name and address description	C an..35	N	see 3124 # 1 not used
3124	Name and address description	C an..35	N	see 3124 # 1 not used
C080	Party name	C	R	
3036	Party name	M an..35	M an..35	
3036	Party name	C an..35	O an..35	see 3036 # 1
3036	Party name	C an..35	N	not used
3036	Party name	C an..35	N	not used
3036	Party name	C an..35	N	not used
3045	Party name format code	C an..3	N	not used
C059	Street	C	D	If available.
3042	Street and number or post office box identifier	M an..35	M an..35	
3042	Street and number or post office box identifier	C an..35	O an..35	see 3042 # 1

SMSI (Swedish Multi Sector Invoice)

UN/EDIFACT Message: Segment details

UN/EDIFACT			Implementation	
	Name	St Format	St Format	Use / Remarks
3042	Street and number or post office box identifier	C an..35	N	not used
3042	Street and number or post office box identifier	C an..35	N	not used
3164	City name	C an..35	R an..35	
C819	Country sub-entity details	C	N	not used
3229	Country sub-entity name code	C an..9	N	not used
1131	Code list identification code	C an..17	N	not used
3055	Code list responsible agency code	C an..3	N	not used
3228	Country sub-entity name	C an..70	N	not used
3251	Postal identification code	C an..17	R an..17	
3207	Country name code	C an..3	D a2	Use this element if the qualifier is other than *SE*.

Comment:

Example:

NAD+BY+1234567::91++Company GMBH+Smallroad+smalltown++DE5409+DE ' '

SMSI (Swedish Multi Sector Invoice)

UN/EDIFACT Message: Segment details

Group: **SG3** Status: R Max. Occ.: 5 Buyer's reference number(s)

Segment: **RFF** Seq. No.: 21 Level: 2 **Reference**
 Status: M Max. Occ.: 1
 Counter: 0280

Name: **Buyer's reference number(s)**

Description of segment:

UN/EDIFACT			Implementation	
	Name	St Format	St Format	Use / Remarks
RFF				
C506	Reference	M	M	
1153	Reference code qualifier	M an..3	M an..3	VA is required due to EU invoice directive ADE = Account number FC = Fiscal number VA = VAT registration number XA = Company/place registration number AHP = Tax registration number GN = Government reference number
1154	Reference identifier	C an..70	R an..17	
1156	Document line identifier	C an..6	N	not used
4000	Reference version identifier	C an..35	N	not used
1060	Revision identifier	C an..6	N	not used

Comment:

Example:

RFF+VA:SE556013970001'

SMSI (Swedish Multi Sector Invoice)

UN/EDIFACT Message: Segment details

Group: **SG5** Status: D Max. Occ.: 1 Buyer's accounting contact

Segment: **CTA** Seq. No.: 22 Level: 2 **Contact information**
 Status: M Max. Occ.: 1
 Counter: 0340

Name: **Contact information**

Description of segment:

UN/EDIFACT			Implementation	
	Name	St Format	St Format	Use / Remarks
CTA				
3139	Contact function code	C an..3	R an..3	AD = Accounting contact AR = Accounts receivable contact
C056	Department or employee details	C	O	
3413	Department or employee name code	C an..17	O an..17	
3412	Department or employee name	C an..35	O an..35	

Comment:

Example:

CTA+AD+:accounting department'

SMSI (Swedish Multi Sector Invoice)

UN/EDIFACT Message: Segment details

Group: **SG5** Status: D Max. Occ.: 1 Buyer's accounting contact

Segment: **COM** Seq. No.: 23 Level: 3 **Communication contact**
 Status: O Max. Occ.: 5
 Counter: 0350

Name: **Communication contact**

Description of segment:

UN/EDIFACT		Implementation		
	Name	St Format	St Format	Use / Remarks
COM				
C076	Communication contact	M	M	
3148	Communication address identifier	M an..512	M an..100	
3155	Communication address code qualifier	M an..3	M an..3	AL in på alla COM
				TE = Telephone FX = Telefax EX = Extension EM = Electronic mail IM = Internal mail AL = Cellular phone

Comment:

Example:

COM+?+49304356789:TE'

SMSI (Swedish Multi Sector Invoice)

UN/EDIFACT Message: Segment details

Group: **SG5** Status: O Max. Occ.: 1 Buyer's information contact

Segment: **CTA** Seq. No.: 24 Level: 2 **Contact information**
 Status: M Max. Occ.: 1
 Counter: 0340

Name: **Contact information**

Description of segment:

UN/EDIFACT			Implementation	
	Name	St Format	St Format	Use / Remarks
CTA				
3139	Contact function code	C an..3	R an..3	IC = Information contact
C056	Department or employee details	C	O	
3413	Department or employee name code	C an..17	O an..17	
3412	Department or employee name	C an..35	O an..35	

Comment:

Example:

CTA+IC+:purchase department'

SMSI (Swedish Multi Sector Invoice)

UN/EDIFACT Message: Segment details

Group: **SG5** Status: O Max. Occ.: 1 Buyer's information contact

Segment: **COM** Seq. No.: 25 Level: 3 **Communication contact**
 Status: O Max. Occ.: 5
 Counter: 0350

Name: **Communication contact**

Description of segment:

UN/EDIFACT			Implementation	
	Name	St Format	St Format	Use / Remarks
COM				
C076	Communication contact	M	M	
3148	Communication address identifier	M an..512	M an..100	
3155	Communication address code qualifier	M an..3	M an..3	
				TE = Telephone FX = Telefax EX = Extension EM = Electronic mail IM = Internal mail AL = Cellular phone

Comment:

Example:

COM+030-4356789:TE'

SMSI (Swedish Multi Sector Invoice)

UN/EDIFACT Message: Segment details

Group: **SG5** Status: R Max. Occ.: 1 Buyer's purchase contact

Segment: **CTA** Seq. No.: 26 Level: 2 **Contact information**
 Status: M Max. Occ.: 1
 Counter: 0340

Name: **Contact information**

Description of segment:

UN/EDIFACT			Implementation	
	Name	St Format	St Format	Use / Remarks
CTA				
3139	Contact function code	C an..3	R an..3	PD = Purchasing contact
C056	Department or employee details	C	O	
3413	Department or employee name code	C an..17	O an..17	
3412	Department or employee name	C an..35	O an..35	

Comment:

Example:

CTA+PD+:purchase department'

SMSI (Swedish Multi Sector Invoice)

UN/EDIFACT Message: Segment details

Group: **SG5** Status: R Max. Occ.: 1 Buyer's purchase contact

Segment: **COM** Seq. No.: 27 Level: 3 **Communication contact**
 Status: O Max. Occ.: 5
 Counter: 0350

Name: **Communication contact**

Description of segment:

UN/EDIFACT			Implementation	
	Name	St Format	St Format	Use / Remarks
COM				
C076	Communication contact	M	M	
3148	Communication address identifier	M an..512	M an..100	
3155	Communication address code qualifier	M an..3	M an..3	
				EM = Electronic mail EX = Extension FX = Telefax IM = Internal mail TE = Telephone AL = Cellular phone

Comment:

Example:

COM+030-4356789:TE'

SMSI (Swedish Multi Sector Invoice)

UN/EDIFACT Message: Segment details

Group: **SG2** Status: D Max. Occ.: 1 Buyer as officially registered
 To be used when required in National Legislation.
 Buyer's Party as officially registered with government. Used when the goods and invoice are sent to different countries and a legal agent is required in the country of the SHIP-TO party.

Segment: **NAD** Seq. No.: 28 Level: 1 **Name and address**
 Status: D Max. Occ.: 1
 Counter: 0230

Name: **Buyer's official address**

Description of segment:

UN/EDIFACT		Implementation		
	Name	St Format	St Format	Use / Remarks
NAD				
3035	Party function code qualifier	M an..3	M an..3	FG = Buyer as officially registered
C082	Party identification details	C	N	not used
3039	Party identifier	M an..35	N	not used
1131	Code list identification code	C an..17	N	not used
3055	Code list responsible agency code	C an..3	N	not used
C058	Name and address	C	M	
3124	Name and address description	M an..35	M an..35	
3124	Name and address description	C an..35	O an..35	see 3124 # 1
3124	Name and address description	C an..35	O an..35	see 3124 # 1
3124	Name and address description	C an..35	O an..35	see 3124 # 1
3124	Name and address description	C an..35	O an..35	see 3124 # 1
C080	Party name	C	D	
3036	Party name	M an..35	N	not used
3036	Party name	C an..35	N	not used
3036	Party name	C an..35	N	not used
3036	Party name	C an..35	N	not used
3036	Party name	C an..35	N	not used
3045	Party name format code	C an..3	C an..3	
C059	Street	C	D	
3042	Street and number or post office box identifier	M an..35	N	not used
3042	Street and number or post office box identifier	C an..35	N	not used
3042	Street and number or post office box identifier	C an..35	N	not used
3042	Street and number or post office box identifier	C an..35	C an..35	
3164	City name	C an..35	D an..35	
C819	Country sub-entity details	C	N	not used
3229	Country sub-entity name code	C an..9	N	not used
1131	Code list identification code	C an..17	N	not used
3055	Code list responsible agency	C an..3	N	not used

SMSI (Swedish Multi Sector Invoice)

UN/EDIFACT Message: Segment details

UN/EDIFACT		Implementation		
	Name	St Format	St Format	Use / Remarks
	code			
3228	Country sub-entity name	C an..70	N	not used
3251	Postal identification code	C an..17	D an..17	
3207	Country name code	C an..3	D an..3	

Comment:

To be used when Required in National Legislation.

Example:

NAD+FG++Seller Inc.:Sample street 99:Sample town:DE-80559'

SMSI (Swedish Multi Sector Invoice)

UN/EDIFACT Message: Segment details

Group: SG2 Status: O Max. Occ.: 1 Invoicee

Segment: NAD Seq. No.: 29 Level: 1 **Name and address**
 Status: M Max. Occ.: 1
 Counter: 0230

Name: Invoicee

Description of segment:

UN/EDIFACT		Implementation		
	Name	St Format	St Format	Use / Remarks
NAD				
3035	Party function code qualifier	M an..3	M an..3	IV = Invoicee
C082	Party identification details	C	O	In most cases it will be sufficient to use C082 for identification of invoicee. If not, either C058 (unstructured address) or C080 and following data elements should be used (structured address). The preferred version is the structured address.
3039	Party identifier	M an..35	M an..35	
1131	Code list identification code	C an..17	N	not used
3055	Code list responsible agency code	C an..3	R an..3	
				5 = ISO (International Organization for Standardization)
				9 = EAN International (GS1)
				10 = ODETTE
				16 = US, D&B (Dun & Bradstreet Corporation)
				91 = Assigned by seller or seller's agent
				92 = Assigned by buyer or buyer's agent
				167 = US, AIAG (Automotive Industry Action Group)
				289 = JP, JIPDEC/ECPC (Japan Information Processing Development Center / Electronic Commerce Promotion Center)
C058	Name and address	C	N	not used
3124	Name and address description	M an..35	N	not used
3124	Name and address description	C an..35	N	not used
3124	Name and address description	C an..35	N	not used
3124	Name and address description	C an..35	N	not used
3124	Name and address description	C an..35	N	not used
C080	Party name	C	R	
3036	Party name	M an..35	M an..35	
3036	Party name	C an..35	O an..35	
3036	Party name	C an..35	N	not used
3036	Party name	C an..35	N	not used
3036	Party name	C an..35	N	not used
3045	Party name format code	C an..3	N	not used
C059	Street	C	R	
3042	Street and number or post office box identifier	M an..35	M an..35	
3042	Street and number or post office	C an..35	O an..35	see 3042 # 1

SMSI (Swedish Multi Sector Invoice)

UN/EDIFACT Message: Segment details

UN/EDIFACT		Implementation		
	Name	St Format	St Format	Use / Remarks
	box identifier			
3042	Street and number or post office box identifier	C an..35	N	not used
3042	Street and number or post office box identifier	C an..35	N	not used
3164	City name	C an..35	R an..35	
C819	Country sub-entity details	C	O	
3229	Country sub-entity name code	C an..9	O an..9	
1131	Code list identification code	C an..17	N	not used
3055	Code list responsible agency code	C an..3	N	not used
3228	Country sub-entity name	C an..70	N	not used
3251	Postal identification code	C an..17	D an..17	
3207	Country name code	C an..3	D a2	Use this element if the qualifier is other than *SE*.

Comment:

Example:

NAD+IV+1234567::91++Company GMBH+Smallroad+smalltown++DE5409+DE ' '

SMSI (Swedish Multi Sector Invoice)

UN/EDIFACT Message: Segment details

Group: **SG3** Status: O Max. Occ.: 4 Invoicee's reference number(s)

Segment: **RFF** Seq. No.: 30 Level: 2 **Reference**
 Status: M Max. Occ.: 1
 Counter: 0280

Name: Invoicee's reference number(s)

Description of segment:

UN/EDIFACT			Implementation	
	Name	St Format	St Format	Use / Remarks
RFF				
C506	Reference	M	M	
1153	Reference code qualifier	M an..3	M an..3	
				ADE = Account number FC = Fiscal number VA = VAT registration number XA = Company/place registration number AHP = Tax registration number
1154	Reference identifier	C an..70	R an..17	
1156	Document line identifier	C an..6	N	not used
4000	Reference version identifier	C an..35	N	not used
1060	Revision identifier	C an..6	N	not used

Comment:

Example:

RFF+ADE:ABC-22/2004'

SMSI (Swedish Multi Sector Invoice)

UN/EDIFACT Message: Segment details

Group: **SG5** Status: O Max. Occ.: 1 Invoicee's information contact

Segment: **CTA** Seq. No.: 31 Level: 2 **Contact information**
 Status: M Max. Occ.: 1
 Counter: 0340

Name: Contact information

Description of segment:

UN/EDIFACT			Implementation	
	Name	St Format	St Format	Use / Remarks
CTA				
3139	Contact function code	C an..3	R an..3	IC = Information contact
C056	Department or employee details	C	O	
3413	Department or employee name code	C an..17	O an..17	
3412	Department or employee name	C an..35	O an..35	

Comment:

Example:

CTA+IC+:Accounting department'

SMSI (Swedish Multi Sector Invoice)

UN/EDIFACT Message: Segment details

Group: **SG5** Status: O Max. Occ.: 1 Invoicee's information contact

Segment: **COM** Seq. No.: 32 Level: 3 **Communication contact**
 Status: O Max. Occ.: 5
 Counter: 0350

Name: **Communication contact**

Description of segment:

UN/EDIFACT			Implementation	
	Name	St Format	St Format	Use / Remarks
COM				
C076	Communication contact	M	M	
3148	Communication address identifier	M an..512	M an..100	Invoicee's Info. Contact Communication Means
3155	Communication address code qualifier	M an..3	M an..3	
				TE = Telephone FX = Telefax EX = Extension EM = Electronic mail IM = Internal mail AL = Cellular phone

Comment:

Example:

COM+03099887766:TE'

SMSI (Swedish Multi Sector Invoice)

UN/EDIFACT Message: Segment details

Group: **SG5** Status: O Max. Occ.: 2 Invoicee's notification contact

Segment: **CTA** Seq. No.: 33 Level: 2 **Contact information**
 Status: M Max. Occ.: 1
 Counter: 0340

Name: **Contact information**

Description of segment:

UN/EDIFACT			Implementation	
	Name	St Format	St Format	Use / Remarks
CTA				
3139	Contact function code	C an..3	R an..3	NT = Notification contact
C056	Department or employee details	C	O	
3413	Department or employee name code	C an..17	O an..17	
3412	Department or employee name	C an..35	O an..35	

Comment:

Example:

CTA+NT+:Notification contact'

SMSI (Swedish Multi Sector Invoice)

UN/EDIFACT Message: Segment details

Group: **SG5** Status: O Max. Occ.: 2 Invoicee's notification contact

Segment: **COM** Seq. No.: 34 Level: 3 **Communication contact**
 Status: O Max. Occ.: 5
 Counter: 0350

Name: **Communication contact**

Description of segment:

UN/EDIFACT			Implementation	
	Name	St Format	St Format	Use / Remarks
COM				
C076	Communication contact	M	M	
3148	Communication address identifier	M an..512	M an..100	
3155	Communication address code qualifier	M an..3	M an..3	
				TE = Telephone FX = Telefax EX = Extension EM = Electronic mail IM = Internal mail

Comment:

Example:

COM+03099887766:TE'

SMSI (Swedish Multi Sector Invoice)

UN/EDIFACT Message: Segment details

Group: **SG2** Status: O Max. Occ.: 1 Invoice TO
 Party to whom an invoice is issued different from IV. Use to qualify address within Buyer but same juridical company.

Segment: **NAD** Seq. No.: 35 Level: 1 **Name and address**
 Status: M Max. Occ.: 1
 Counter: 0230

Name: Invoice TO

Description of segment:

UN/EDIFACT		Implementation		
	Name	St Format	St Format	Use / Remarks
NAD				
3035	Party function code qualifier	M an..3	C an..3	Invoice TO (Not a valid code)
C082	Party identification details	C	O	
3039	Party identifier	M an..35	M an..35	
1131	Code list identification code	C an..17	N	not used
3055	Code list responsible agency code	C an..3	R an..3	
				5 = ISO (International Organization for Standardization) 9 = EAN International (GS1) 10 = ODETTE 16 = US, D&B (Dun & Bradstreet Corporation) 91 = Assigned by seller or seller's agent 92 = Assigned by buyer or buyer's agent 167 = US, AIAG (Automotive Industry Action Group) 289 = JP,JIPDEC/ECPC (Japan Information Processing Development Center / Electronic Commerce Promotion Center)
C058	Name and address	C	N	For usage see comment on C082. not used
3124	Name and address description	M an..35	M an..35	
3124	Name and address description	C an..35	O an..35	see 3124 #1
3124	Name and address description	C an..35	O an..35	lsee 3124 #1
3124	Name and address description	C an..35	O an..35	see 3124 #1
3124	Name and address description	C an..35	O an..35	see 3124 #1
C080	Party name	C	R	
3036	Party name	M an..35	M an..35	
3036	Party name	C an..35	O an..35	see 3036 # 1
3036	Party name	C an..35	N	not used
3036	Party name	C an..35	N	not used
3036	Party name	C an..35	N	not used
3045	Party name format code	C an..3	N	not used
C059	Street	C	R	
3042	Street and number or post office box identifier	M an..35	M an..35	
3042	Street and number or post office box identifier	C an..35	O an..35	see 3042 # 1

SMSI (Swedish Multi Sector Invoice)

UN/EDIFACT Message: Segment details

UN/EDIFACT			Implementation	
	Name	St Format	St Format	Use / Remarks
3042	Street and number or post office box identifier	C an..35	N	not used
3042	Street and number or post office box identifier	C an..35	N	not used
3164	City name	C an..35	R an..35	
C819	Country sub-entity details	C	O	
3229	Country sub-entity name code	C an..9	O an..9	
1131	Code list identification code	C an..17	N	not used
3055	Code list responsible agency code	C an..3	N	not used
3228	Country sub-entity name	C an..70	N	not used
3251	Postal identification code	C an..17	R an..17	
3207	Country name code	C an..3	O a2	Use this element if the qualifier is other than *SE*.

Comment:

Example:

NAD+ITO+1234567::91++Company GMBH+Smallroad+smalltown++DE5409+DE ' '

SMSI (Swedish Multi Sector Invoice)

UN/EDIFACT Message: Segment details

Group: SG2 Status: O Max. Occ.: 1 Ship-to
ST is a synonym to CN

Segment: NAD Seq. No.: 36 Level: 1 Name and address
Status: M Max. Occ.: 1
Counter: 0230

Name: Ship-to

Description of segment:

UN/EDIFACT		Implementation		
	Name	St Format	St Format	Use / Remarks
NAD				
3035	Party function code qualifier	M an..3	M an..3	This qualifier is a synonym for CN=Consignee ST = Ship to
C082	Party identification details	C	R	
3039	Party identifier	M an..35	R an..35	
1131	Code list identification code	C an..17	N	not used
3055	Code list responsible agency code	C an..3	R an..3	
				5 = ISO (International Organization for Standardization) 9 = EAN International (GS1) 10 = ODETTE 16 = US, D&B (Dun & Bradstreet Corporation) 91 = Assigned by seller or seller's agent 92 = Assigned by buyer or buyer's agent 167 = US, AIAG (Automotive Industry Action Group) 289 = JP,JIPDEC/ECPC (Japan Information Processing Development Center / Electronic Commerce Promotion Center)
C058	Name and address	C	N	not used
3124	Name and address description	M an..35	N	not used
3124	Name and address description	C an..35	N	not used
3124	Name and address description	C an..35	N	not used
3124	Name and address description	C an..35	N	not used
3124	Name and address description	C an..35	N	not used
C080	Party name	C	R	For usage see comment on C082.
3036	Party name	M an..35	M an..35	
3036	Party name	C an..35	O an..35	see 3036 # 1
3036	Party name	C an..35	N	not used
3036	Party name	C an..35	N	not used
3036	Party name	C an..35	N	not used
3045	Party name format code	C an..3	N	not used
C059	Street	C	R	
3042	Street and number or post office box identifier	M an..35	M an..35	
3042	Street and number or post office box identifier	C an..35	O an..35	see 3042 # 1
3042	Street and number or post office	C an..35	N	not used

SMSI (Swedish Multi Sector Invoice)

UN/EDIFACT Message: Segment details

UN/EDIFACT		Implementation		
	Name	St Format	St Format	Use / Remarks
	box identifier			
3042	Street and number or post office box identifier	C an..35	N	not used
3164	City name	C an..35	R an..35	
C819	Country sub-entity details	C	O	For usage see comment on C082.
3229	Country sub-entity name code	C an..9	C an..9	
1131	Code list identification code	C an..17	N	not used
3055	Code list responsible agency code	C an..3	N	not used
3228	Country sub-entity name	C an..70	N	not used
3251	Postal identification code	C an..17	R an..17	
3207	Country name code	C an..3	D a2	Use this element if the qualifier is other than *SE*.

Comment:

Example:

NAD+ST+++Ship to name+Ship to street / number+City+SE-O+10369+SE'

SMSI (Swedish Multi Sector Invoice)

UN/EDIFACT Message: Segment details

Group: **SG3** Status: O Max. Occ.: 4 Ship-to's reference number(s)

Segment: **RFF** Seq. No.: 37 Level: 2 **Reference**
 Status: M Max. Occ.: 1
 Counter: 0280

Name: Ship-to's reference number(s)

Description of segment:

UN/EDIFACT			Implementation	
	Name	St Format	St Format	Use / Remarks
RFF				
C506	Reference	M	M	
1153	Reference code qualifier	M an..3	M an..3	
				ADE = Account number FC = Fiscal number VA = VAT registration number
1154	Reference identifier	C an..70	R an..17	
1156	Document line identifier	C an..6	N	not used
4000	Reference version identifier	C an..35	N	not used
1060	Revision identifier	C an..6	N	not used

Comment:

Example:

RFF+FC:HRB 99876'

SMSI (Swedish Multi Sector Invoice)

UN/EDIFACT Message: Segment details

Group: **SG5** Status: O Max. Occ.: 2 Ship-to's delivery contact

Segment: **CTA** Seq. No.: 38 Level: 2 **Contact information**
 Status: M Max. Occ.: 1
 Counter: 0340

Name: **Contact information**

Description of segment:

UN/EDIFACT			Implementation	
	Name	St Format	St Format	Use / Remarks
CTA				
3139	Contact function code	C an..3	R an..3	DL = Delivery contact GR = Goods receiving contact
C056	Department or employee details	C	O	
3413	Department or employee name code	C an..17	O an..17	
3412	Department or employee name	C an..35	O an..35	

Comment:

Example:

CTA+DL+:Materials department'

SMSI (Swedish Multi Sector Invoice)

UN/EDIFACT Message: Segment details

Group: **SG5** Status: O Max. Occ.: 2 Ship-to's delivery contact

Segment: **COM** Seq. No.: 39 Level: 3 **Communication contact**
 Status: O Max. Occ.: 5
 Counter: 0350

Name: **Communication contact**

Description of segment:

UN/EDIFACT			Implementation	
	Name	St Format	St Format	Use / Remarks
COM				
C076	Communication contact	M	M	
3148	Communication address identifier	M an..512	M an..100	
3155	Communication address code qualifier	M an..3	M an..3	
				TE = Telephone FX = Telefax EX = Extension EM = Electronic mail IM = Internal mail AL = Cellular phone

Comment:

Example:

COM+0046 31 554433:TE'

SMSI (Swedish Multi Sector Invoice)

UN/EDIFACT Message: Segment details

Group: **SG5** Status: O Max. Occ.: 2 Ship-to's information contact

Segment: **CTA** Seq. No.: 40 Level: 2 **Contact information**
 Status: M Max. Occ.: 1
 Counter: 0340

Name: **Contact information**

Description of segment:

UN/EDIFACT			Implementation	
	Name	St Format	St Format	Use / Remarks
CTA				
3139	Contact function code	C an..3	R an..3	IC = Information contact
C056	Department or employee details	C	O	
3413	Department or employee name code	C an..17	O an..17	
3412	Department or employee name	C an..35	O an..35	

Comment:

Example:

CTA+IC+:department'

SMSI (Swedish Multi Sector Invoice)

UN/EDIFACT Message: Segment details

Group: **SG5** Status: O Max. Occ.: 2 Ship-to's information contact

Segment: **COM** Seq. No.: 41 Level: 3 **Communication contact**
 Status: O Max. Occ.: 5
 Counter: 0350

Name: Communication contact

Description of segment:

UN/EDIFACT			Implementation	
	Name	St Format	St Format	Use / Remarks
COM				
C076	Communication contact	M	M	
3148	Communication address identifier	M an..512	M an..100	
3155	Communication address code qualifier	M an..3	M an..3	
				TE = Telephone FX = Telefax EX = Extension EM = Electronic mail IM = Internal mail AL = Cellular phone

Comment:

Example:

COM+0046 31 554433:TE'

SMSI (Swedish Multi Sector Invoice)

UN/EDIFACT Message: Segment details

Group: SG2 Status: O Max. Occ.: 1 Delivery Party
Beast

Segment: NAD Seq. No.: 42 Level: 1 Name and address
Status: M Max. Occ.: 1
Counter: 0230

Name: Delivery Party

Description of segment:

UN/EDIFACT		Implementation		
	Name	St Format	St Format	Use / Remarks
NAD				
3035	Party function code qualifier	M an..3	M an..3	Place of consumption DP = Delivery party
C082	Party identification details	C	O	
3039	Party identifier	M an..35	R an..35	
1131	Code list identification code	C an..17	N	not used
3055	Code list responsible agency code	C an..3	R an..3	
				5 = ISO (International Organization for Standardization)
				10 = ODETTE
				16 = US, D&B (Dun & Bradstreet Corporation)
				91 = Assigned by seller or seller's agent
				92 = Assigned by buyer or buyer's agent
				167 = US, AIAG (Automotive Industry Action Group)
				289 = JP, JIPDEC/ECPC (Japan Information Processing Development Center / Electronic Commerce Promotion Center)
				9 = EAN International (GS1)
C058	Name and address	C	O	
3124	Name and address description	M an..35	M an..35	
3124	Name and address description	C an..35	O an..35	see 3124 #1
3124	Name and address description	C an..35	O an..35	see 3124 #1
3124	Name and address description	C an..35	O an..35	see 3124 #1
3124	Name and address description	C an..35	O an..35	see 3124 #1
C080	Party name	C	O	For usage see comment on C082.
3036	Party name	M an..35	M an..35	
3036	Party name	C an..35	O an..35	see 3036 # 1
3036	Party name	C an..35	N	not used
3036	Party name	C an..35	N	not used
3036	Party name	C an..35	N	not used
3045	Party name format code	C an..3	N	not used
C059	Street	C	O	For usage see comment on C082.
3042	Street and number or post office box identifier	M an..35	M an..35	
3042	Street and number or post office box identifier	C an..35	O an..35	see 3042 # 1
3042	Street and number or post office	C an..35	N	not used

SMSI (Swedish Multi Sector Invoice)

UN/EDIFACT Message: Segment details

UN/EDIFACT			Implementation	
	Name	St Format	St Format	Use / Remarks
	box identifier			
3042	Street and number or post office box identifier	C an..35	N	not used
3164	City name	C an..35	O an..35	For usage see comment on C082.
C819	Country sub-entity details	C	O	For usage see comment on C082.
3229	Country sub-entity name code	C an..9	C an..9	
1131	Code list identification code	C an..17	N	not used
3055	Code list responsible agency code	C an..3	N	not used
3228	Country sub-entity name	C an..70	N	not used
3251	Postal identification code	C an..17	O an..17	For usage see comment on C082.
3207	Country name code	C an..3	O a2	

Comment:

Example:

NAD+DP+++Ship to name+Ship to street / number+City+SE-O+10369+SE'

SMSI (Swedish Multi Sector Invoice)

UN/EDIFACT Message: Segment details

Group: **SG2** Status: O Max. Occ.: 1 Delivery Party
Beast

Segment: **LOC** Seq. No.: 43 Level: 2 **Place/location identification**
Status: D Max. Occ.: 1
Counter: 0240

Name: **Place/location identification**

Description of segment:

UN/EDIFACT		Implementation		
	Name	St Format	St Format	Use / Remarks
LOC				
3227	Location function code qualifier	M an..3	M an..3	1 = Place of terms of delivery
C517	Location identification	C	N	not used
3225	Location name code	C an..35	N	not used
1131	Code list identification code	C an..17	N	not used
3055	Code list responsible agency code	C an..3	N	not used
3224	Location name	C an..256	N	not used
C519	Related location one identification	C	R	
3223	First related location name code	C an..25	R an..25	
1131	Code list identification code	C an..17	N	not used
3055	Code list responsible agency code	C an..3	N	not used
3222	First related location name	C an..70	N	not used
C553	Related location two identification	C	D	If needed
3233	Second related location name code	C an..25	R an..25	
1131	Code list identification code	C an..17	N	not used
3055	Code list responsible agency code	C an..3	N	not used
3232	Second related location name	C an..70	N	not used
5479	Relation code	C an..3	C an..3	

Comment:
Use to define additional destination for Delivery Party in free text

Example:

SMSI (Swedish Multi Sector Invoice)

UN/EDIFACT Message: Segment details

Group: **SG3** Status: O Max. Occ.: 4 Delivery Party reference number(s)

Segment: **RFF** Seq. No.: 44 Level: 2 **Reference**
 Status: M Max. Occ.: 1
 Counter: 0280

Name: Delivery Party reference number(s)

Description of segment:

UN/EDIFACT			Implementation	
	Name	St Format	St Format	Use / Remarks
RFF				
C506	Reference	M	M	
1153	Reference code qualifier	M an..3	M an..3	
				ADE = Account number FC = Fiscal number VA = VAT registration number
1154	Reference identifier	C an..70	R an..17	
1156	Document line identifier	C an..6	N	not used
4000	Reference version identifier	C an..35	N	not used
1060	Revision identifier	C an..6	N	not used

Comment:

Example:

RFF+FC:HRB 99876'

SMSI (Swedish Multi Sector Invoice)

UN/EDIFACT Message: Segment details

Group: **SG5** Status: O Max. Occ.: 2 Delivery Parties delivery contact

Segment: **CTA** Seq. No.: 45 Level: 2 **Contact information**
 Status: M Max. Occ.: 1
 Counter: 0340

Name: **Contact information**

Description of segment:

UN/EDIFACT			Implementation	
	Name	St Format	St Format	Use / Remarks
CTA				
3139	Contact function code	C an..3	R an..3	DL = Delivery contact
C056	Department or employee details	C	O	
3413	Department or employee name code	C an..17	O an..17	
3412	Department or employee name	C an..35	O an..35	

Comment:

Example:

CTA+DL+:Materials department'

SMSI (Swedish Multi Sector Invoice)

UN/EDIFACT Message: Segment details

Group: **SG5** Status: O Max. Occ.: 2 Delivery Parties delivery contact

Segment: **COM** Seq. No.: 46 Level: 3 **Communication contact**
 Status: O Max. Occ.: 5
 Counter: 0350

Name: **Communication contact**

Description of segment:

UN/EDIFACT			Implementation	
	Name	St Format	St Format	Use / Remarks
COM				
C076	Communication contact	M	M	
3148	Communication address identifier	M an..512	M an..100	
3155	Communication address code qualifier	M an..3	M an..3	
				TE = Telephone FX = Telefax EX = Extension EM = Electronic mail IM = Internal mail AL = Cellular phone

Comment:

Example:

COM+0046 31 554433:TE'

SMSI (Swedish Multi Sector Invoice)

UN/EDIFACT Message: Segment details

Group: **SG5** Status: O Max. Occ.: 2 Delivery Parties information contact

Segment: **CTA** Seq. No.: 47 Level: 2 **Contact information**
 Status: M Max. Occ.: 1
 Counter: 0340

Name: **Contact information**

Description of segment:

UN/EDIFACT			Implementation	
	Name	St Format	St Format	Use / Remarks
CTA				
3139	Contact function code	C an..3	R an..3	IC = Information contact
C056	Department or employee details	C	O	
3413	Department or employee name code	C an..17	O an..17	
3412	Department or employee name	C an..35	O an..35	

Comment:

Example:

CTA+IC+:department'

SMSI (Swedish Multi Sector Invoice)

UN/EDIFACT Message: Segment details

Group: **SG5** Status: O Max. Occ.: 2 Delivery Parties information contact

Segment: **COM** Seq. No.: 48 Level: 3 **Communication contact**
 Status: O Max. Occ.: 5
 Counter: 0350

Name: Communication contact

Description of segment:

UN/EDIFACT			Implementation	
	Name	St Format	St Format	Use / Remarks
COM				
C076	Communication contact	M	M	
3148	Communication address identifier	M an..512	M an..100	
3155	Communication address code qualifier	M an..3	M an..3	
				TE = Telephone FX = Telefax EX = Extension EM = Electronic mail IM = Internal mail AL = Cellular phone

Comment:

Example:

COM+0046 31 554433:TE'

SMSI (Swedish Multi Sector Invoice)

UN/EDIFACT Message: Segment details

Group: **SG2** Status: R Max. Occ.: 1 Seller
SU = SE

Segment: **NAD** Seq. No.: 49 Level: 1 **Name and address**
Status: M Max. Occ.: 1
Counter: 0230

Name: **Seller**

Description of segment:

UN/EDIFACT		Implementation			
	Name	St Format	St Format	Use / Remarks	
NAD					
3035	Party function code qualifier	M an..3	M an..3	The usage of SE is recommended. For compatibility reasons also SU is supported. Both codes are considered to express the same semantic content. SE - party selling merchandise to a buyer. SU - party which manufacturers or otherwise has possession of goods, and consigns or makes them available in trade. SE = Seller SU = Supplier In most cases it will be sufficient to use C082 for identification of seller. If not, either C058 (unstructured address) or C080 and following data elements should be used (structured address). The preferred version is the structured address. Special remarks: In some countries, i.e. the UK, the full name and address of the Seller must be shown on tax invoices. In the UK however, where such documents are transmitted electronically, in batched files, HM Customs accepts that the full name and address of the Buyer need only be shown once per file, rather than on each invoice - in the UK, this is accommodated within the TAXCON (TAX CONtrol) summary message, which is sent (in a batched interchange) after the last UNH thru' UNT invoice, but before the UNZ service segment. Unless provision is made elsewhere within the message or interchange for the transmission of full name and address (eg use optional segment 16 NAD - Buyer as officially registered), HM Customs will require the preferred composite C058 (structured names/addresses) also to be used.	
C082	Party identification details	C	O		
3039	Party identifier	M an..35	R an..35		
1131	Code list identification code	C an..17	N		not used
3055	Code list responsible agency code	C an..3	R an..3		
					5 = ISO (International Organization for Standardization) 10 = ODETTE 16 = US, D&B (Dun & Bradstreet Corporation) 91 = Assigned by seller or seller's agent 92 = Assigned by buyer or buyer's agent 167 = US, AIAG (Automotive Industry Action Group) 289 = JP, JIPDEC/ECPC (Japan Information Processing Development Center / Electronic Commerce Promotion Center) 9 = EAN International (GS1) For usage see comment on C082.

SMSI (Swedish Multi Sector Invoice)

UN/EDIFACT Message: Segment details

UN/EDIFACT			Implementation	
	Name	St Format	St Format	Use / Remarks
C058	Name and address	C	O	
3124	Name and address description	M an..35	M an..35	
3124	Name and address description	C an..35	O an..35	see 3124 # 1
3124	Name and address description	C an..35	O an..35	see 3124 # 1
3124	Name and address description	C an..35	O an..35	see 3124 # 1
3124	Name and address description	C an..35	O an..35	see 3124 # 1
C080	Party name	C	O	For usage see comment on C082.
3036	Party name	M an..35	M an..35	
3036	Party name	C an..35	O an..35	see 3036 # 1
3036	Party name	C an..35	N	not used
3036	Party name	C an..35	N	not used
3036	Party name	C an..35	N	not used
3045	Party name format code	C an..3	N	not used
C059	Street	C	O	For usage see comment on C082.
3042	Street and number or post office box identifier	M an..35	M an..35	Seller's Street Line
3042	Street and number or post office box identifier	C an..35	O an..35	see 3042 # 1
3042	Street and number or post office box identifier	C an..35	N	not used
3042	Street and number or post office box identifier	C an..35	N	not used
3164	City name	C an..35	O an..35	For usage see comment on C082.
C819	Country sub-entity details	C	O	For usage see comment on C082.
3229	Country sub-entity name code	C an..9	R an..9	
1131	Code list identification code	C an..17	N	not used
3055	Code list responsible agency code	C an..3	N	not used
3228	Country sub-entity name	C an..70	N	not used
3251	Postal identification code	C an..17	O an..17	For usage see comment on C082.
3207	Country name code	C an..3	O an..3	For usage see comment on C082.

Comment:

Example:

NAD+SE+765432::92'NAD+SE+++Seller name+Seller street / number+City+SE-O+10369+SE'

SMSI (Swedish Multi Sector Invoice)

UN/EDIFACT Message: Segment details

Group: **SG2** Status: R Max. Occ.: 1 Seller
 SU = SE

Segment: **FII** Seq. No.: 50 Level: 2 **Financial institution information**
 Status: O Max. Occ.: 1
 Counter: 0250

Name: **Seller's financial institution**

Description of segment:

UN/EDIFACT		Implementation		
	Name	St Format	St Format	Use / Remarks
FII				
3035	Party function code qualifier	M an..3	M an..3	RH = Seller's financial institution
C078	Account holder identification	C	R	
3194	Account holder identifier	C an..35	O an..35	IBAN, domestic account no, giro number
3192	Account holder name	C an..35	O an..35	
3192	Account holder name	C an..35	O an..35	
6345	Currency identification code	C an..3	C an..3	
C088	Institution identification	C	O	
3433	Institution name code	C an..11	O an..11	BIC number if 3055="17" BK or PO if 3055="9"
1131	Code list identification code	C an..17	N	not used
3055	Code list responsible agency code	C an..3	O an..3	17 = S.W.I.F.T. address (BIC) 9 = EAN International (GS1)
3434	Institution branch identifier	C an..17	O an..17	
1131	Code list identification code	C an..17	O an..17	
3055	Code list responsible agency code	C an..3	O an..3	
3432	Institution name	C an..70	O an..35	Seller's Financial Institution Name
3436	Institution branch location name	C an..70	N	not used
3207	Country name code	C an..3	N	not used

Comment:

Example:

FII+RH+DE59600700700119067713+Supplier Corp:::::DEUTSCHE BANK AG'

SMSI (Swedish Multi Sector Invoice)

UN/EDIFACT Message: Segment details

Group: **SG3** Status: O Max. Occ.: 4 Seller's reference number(s)

Segment: **RFF** Seq. No.: 51 Level: 2 **Reference**
 Status: M Max. Occ.: 1
 Counter: 0280

Name: Sellers's reference number(s)

Description of segment:

UN/EDIFACT			Implementation	
	Name	St Format	St Format	Use / Remarks
RFF				
C506	Reference	M	M	
1153	Reference code qualifier	M an..3	M an..3	
				FC = Fiscal number VA = VAT registration number XA = Company/place registration number AHP = Tax registration number GN = Government reference number
1154	Reference identifier	C an..70	R an..17	For code FC = In SFTI:s fullinformation invoice use (org. nr) wich means that you are authorised according to Swedish law. If you don't have this information please use 'F-skatt finnes' in this field instead of organsiation number. Should only be used in Sweden
1156	Document line identifier	C an..6	N	not used
4000	Reference version identifier	C an..35	N	not used
1060	Revision identifier	C an..6	N	not used

Comment:

Example:

RFF+GN:123765432'

SMSI (Swedish Multi Sector Invoice)

UN/EDIFACT Message: Segment details

Group: **SG5** Status: O Max. Occ.: 1 Accounting contact

Segment: **CTA** Seq. No.: 52 Level: 2 **Contact information**
 Status: O Max. Occ.: 1
 Counter: 0340

Name: Accounting contact

Description of segment:

UN/EDIFACT			Implementation	
	Name	St Format	St Format	Use / Remarks
CTA				
3139	Contact function code	C an..3	C an..3	AD = Accounting contact AR = Accounts receivable contact
C056	Department or employee details	C	O	
3413	Department or employee name code	C an..17	O an..17	
3412	Department or employee name	C an..35	O an..35	

Comment:

Example:

CTA+AD+:accounting department'

SMSI (Swedish Multi Sector Invoice)

UN/EDIFACT Message: Segment details

Group: **SG5** Status: O Max. Occ.: 1 Accounting contact

Segment: **COM** Seq. No.: 53 Level: 3 **Communication contact**
 Status: O Max. Occ.: 5
 Counter: 0350

Name: Communication contact

Description of segment:

UN/EDIFACT			Implementation	
	Name	St Format	St Format	Use / Remarks
COM				
C076	Communication contact	M	M	
3148	Communication address identifier	M an..512	M an..100	
3155	Communication address code qualifier	M an..3	M an..3	
				TE = Telephone FX = Telefax EX = Extension EM = Electronic mail IM = Internal mail AL = Cellular phone

Comment:

Example:

COM+089-77889966:FX'

SMSI (Swedish Multi Sector Invoice)

UN/EDIFACT Message: Segment details

Group: **SG5** Status: O Max. Occ.: 1 Information contact

Segment: **CTA** Seq. No.: 54 Level: 2 **Contact information**
 Status: M Max. Occ.: 1
 Counter: 0340

Name: **Contact information**

Description of segment:

UN/EDIFACT			Implementation	
	Name	St Format	St Format	Use / Remarks
CTA				
3139	Contact function code	C an..3	C an..3	IC = Information contact
C056	Department or employee details	C	O	
3413	Department or employee name code	C an..17	O an..17	
3412	Department or employee name	C an..35	O an..35	

Comment:

Example:

CTA+IC+:Information department'

SMSI (Swedish Multi Sector Invoice)

UN/EDIFACT Message: Segment details

Group: **SG5** Status: O Max. Occ.: 1 Information contact

Segment: **COM** Seq. No.: 55 Level: 3 **Communication contact**
 Status: O Max. Occ.: 5
 Counter: 0350

Name: **Communication contact**

Description of segment:

UN/EDIFACT			Implementation	
	Name	St Format	St Format	Use / Remarks
COM				
C076	Communication contact	M	M	
3148	Communication address identifier	M an..512	M an..100	
3155	Communication address code qualifier	M an..3	M an..3	
				TE = Telephone FX = Telefax EX = Extension EM = Electronic mail IM = Internal mail AL = Cellular phone

Comment:

Example:

COM+089-77889966:FX'

SMSI (Swedish Multi Sector Invoice)

UN/EDIFACT Message: Segment details

Group: **SG5** Status: O Max. Occ.: 1 Sales contact

Segment: **CTA** Seq. No.: 56 Level: 2 **Contact information**
Status: M Max. Occ.: 1
Counter: 0340

Name: Contact information

Description of segment:

UN/EDIFACT		Implementation		
	Name	St Format	St Format	Use / Remarks
CTA				
3139	Contact function code	C an..3	C an..3	SR = Sales representative or department
C056	Department or employee details	C	O	
3413	Department or employee name code	C an..17	O an..17	
3412	Department or employee name	C an..35	O an..35	

Comment:

Example:

CTA+SR+:sales department'

SMSI (Swedish Multi Sector Invoice)

UN/EDIFACT Message: Segment details

Group: **SG5** Status: O Max. Occ.: 1 Sales contact

Segment: **COM** Seq. No.: 57 Level: 3 **Communication contact**
 Status: O Max. Occ.: 5
 Counter: 0350

Name: **Communication contact**

Description of segment:

UN/EDIFACT			Implementation	
	Name	St Format	St Format	Use / Remarks
COM				
C076	Communication contact	M	M	
3148	Communication address identifier	M an..512	M an..100	
3155	Communication address code qualifier	M an..3	M an..3	
				TE = Telephone FX = Telefax EX = Extension EM = Electronic mail IM = Internal mail AL = Cellular phone

Comment:

Example:

COM+089-77889966:FX'

SMSI (Swedish Multi Sector Invoice)

UN/EDIFACT Message: Segment details

Group: **SG2** Status: R Max. Occ.: 1 Seller as officially registered
 To be used when required in National Legislation.
 Sellers Party as officially registered with government. Used when the goods and invoice are created from different countries and a legal agent is required in the country of the consignor.

Segment: **NAD** Seq. No.: 58 Level: 1 **Name and address**
 Status: D Max. Occ.: 1
 Counter: 0230

Name: **Seller's official address**

Description of segment:

UN/EDIFACT		Implementation		
	Name	St Format	St Format	Use / Remarks
NAD				
3035	Party function code qualifier	M an..3	M an..3	FH = Seller as officially registered
C082	Party identification details	C	N	not used
3039	Party identifier	M an..35	N	not used
1131	Code list identification code	C an..17	N	not used
3055	Code list responsible agency code	C an..3	N	not used
C058	Name and address	C	M	
3124	Name and address description	M an..35	M an..35	
3124	Name and address description	C an..35	O an..35	see 3124 # 1
3124	Name and address description	C an..35	O an..35	see 3124 # 1
3124	Name and address description	C an..35	O an..35	see 3124 # 1
3124	Name and address description	C an..35	O an..35	see 3124 # 1
C080	Party name	C	D	
3036	Party name	M an..35	N	not used
3036	Party name	C an..35	N	not used
3036	Party name	C an..35	N	not used
3036	Party name	C an..35	N	not used
3036	Party name	C an..35	N	not used
3045	Party name format code	C an..3	C an..3	
C059	Street	C	D	
3042	Street and number or post office box identifier	M an..35	N	not used
3042	Street and number or post office box identifier	C an..35	N	not used
3042	Street and number or post office box identifier	C an..35	N	not used
3042	Street and number or post office box identifier	C an..35	C an..35	
3164	City name	C an..35	D an..35	
C819	Country sub-entity details	C	N	not used
3229	Country sub-entity name code	C an..9	N	not used
1131	Code list identification code	C an..17	N	not used
3055	Code list responsible agency	C an..3	N	not used

SMSI (Swedish Multi Sector Invoice)

UN/EDIFACT Message: Segment details

UN/EDIFACT		Implementation		
	Name	St Format	St Format	Use / Remarks
	code			
3228	Country sub-entity name	C an..70	N	not used
3251	Postal identification code	C an..17	D an..17	
3207	Country name code	C an..3	D an..3	

Comment:

To be used when Required in National Legislation.

Example:

NAD+FH++Seller Inc.:Sample street 99:Sample town:DE-80559'

SMSI (Swedish Multi Sector Invoice)

UN/EDIFACT Message: Segment details

Group: **SG3** Status: R Max. Occ.: 1 Sellers Official number(s)

Segment: **RFF** Seq. No.: 59 Level: 2 **Reference**
 Status: M Max. Occ.: 1
 Counter: 0280

Name: Sellers Official number(s)

Description of segment:

UN/EDIFACT			Implementation	
	Name	St Format	St Format	Use / Remarks
RFF				
C506	Reference	M	M	
1153	Reference code qualifier	M an..3	M an..3	VA is required due to EU invoice directive VA = VAT registration number PQ = Payment reference
1154	Reference identifier	C an..70	R an..17	
1156	Document line identifier	C an..6	N	not used
4000	Reference version identifier	C an..35	N	not used
1060	Revision identifier	C an..6	N	not used

Comment:

Example:

RFF+VA:7656444'

SMSI (Swedish Multi Sector Invoice)

UN/EDIFACT Message: Segment details

Group: **SG2** Status: O Max. Occ.: 1 Payee

Segment: **NAD** Seq. No.: 60 Level: 1 **Name and address**
 Status: M Max. Occ.: 1
 Counter: 0230

Name: Payee

Description of segment:

UN/EDIFACT			Implementation	
	Name	St Format	St Format	Use / Remarks
NAD				
3035	Party function code qualifier	M an..3	M an..3	PE = Payee
C082	Party identification details	C	O	In most cases it will be sufficient to use C082 for identification of payee. If not, either C058 (unstructured address) or C080 and following data elements should be used (structured address). The preferred version is the structured address.
3039	Party identifier	M an..35	M an..35	
1131	Code list identification code	C an..17	N	not used
3055	Code list responsible agency code	C an..3	R an..3	
				5 = ISO (International Organization for Standardization) 10 = ODETTE 16 = US, D&B (Dun & Bradstreet Corporation) 91 = Assigned by seller or seller's agent 92 = Assigned by buyer or buyer's agent 167 = US, AIAG (Automotive Industry Action Group) 289 = JP,JIPDEC/ECPC (Japan Information Processing Development Center / Electronic Commerce Promotion Center) 9 = EAN International (GS1)
C058	Name and address	C	N	not used
3124	Name and address description	M an..35	M an..35	Payee's Address Line 1
3124	Name and address description	C an..35	O an..35	see 3124 # 1
3124	Name and address description	C an..35	O an..35	see 3124 # 1
3124	Name and address description	C an..35	O an..35	see 3124 # 1
3124	Name and address description	C an..35	O an..35	see 3124 # 1
C080	Party name	C	R	
3036	Party name	M an..35	M an..35	
3036	Party name	C an..35	O an..35	Payee's Name line 2
3036	Party name	C an..35	N	not used
3036	Party name	C an..35	N	not used
3036	Party name	C an..35	N	not used
3045	Party name format code	C an..3	N	not used
C059	Street	C	D	For usage see comment on C082.
3042	Street and number or post office box identifier	M an..35	M an..35	
3042	Street and number or post office	C an..35	O an..35	Payee's Street Line 2

SMSI (Swedish Multi Sector Invoice)

UN/EDIFACT Message: Segment details

UN/EDIFACT			Implementation	
	Name	St Format	St Format	Use / Remarks
	box identifier			
3042	Street and number or post office box identifier	C an..35	N	not used
3042	Street and number or post office box identifier	C an..35	N	not used
3164	City name	C an..35	R an..35	For usage see comment on C082.
C819	Country sub-entity details	C	O	
3229	Country sub-entity name code	C an..9	R an..9	
1131	Code list identification code	C an..17	N	not used
3055	Code list responsible agency code	C an..3	N	not used
3228	Country sub-entity name	C an..70	N	not used
3251	Postal identification code	C an..17	R an..17	
3207	Country name code	C an..3	D an..3	Use this element if the qualifier is other than *SE*.

Comment:

Example:

NAD+PE+++Payee name+Payee street / number+City+SE-O+10369+SE'

SMSI (Swedish Multi Sector Invoice)

UN/EDIFACT Message: Segment details

Group: SG2 Status: O Max. Occ.: 1 Payee

Segment: FII Seq. No.: 61 Level: 2 **Financial institution information**
 Status: O Max. Occ.: 1
 Counter: 0250

Name: **Pay-to's financial institution**

Description of segment:

UN/EDIFACT			Implementation	
	Name	St Format	St Format	Use / Remarks
FII				
3035	Party function code qualifier	M an..3	M an..3	BF = Beneficiary's bank RB = Receiving financial institution
C078	Account holder identification	C	O	
3194	Account holder identifier	C an..35	R an..35	IBAN, domestic account no, giro number
3192	Account holder name	C an..35	C an..35	
3192	Account holder name	C an..35	N	not used
6345	Currency identification code	C an..3	N	not used
C088	Institution identification	C	O	
3433	Institution name code	C an..11	O an..11	BK or PO if 3055="9" BIC if 3055="17"
1131	Code list identification code	C an..17	O an..17	
3055	Code list responsible agency code	C an..3	O an..3	17 = S.W.I.F.T. address (BIC) 9 = EAN International (GS1)
3434	Institution branch identifier	C an..17	O an..17	
1131	Code list identification code	C an..17	O an..17	
3055	Code list responsible agency code	C an..3	O an..3	
3432	Institution name	C an..70	O an..35	
3436	Institution branch location name	C an..70	N	not used
3207	Country name code	C an..3	N	not used

Comment:

Example:

FII+BF+Seller company+:::10020000:::bank name'

SMSI (Swedish Multi Sector Invoice)

UN/EDIFACT Message: Segment details

Group: **SG3** Status: O Max. Occ.: 4 Payee's reference number(s)

Segment: **RFF** Seq. No.: 62 Level: 2 **Reference**
 Status: M Max. Occ.: 1
 Counter: 0280

Name: Payee's reference number(s)

Description of segment:

UN/EDIFACT			Implementation	
	Name	St Format	St Format	Use / Remarks
RFF				
C506	Reference	M	M	
1153	Reference code qualifier	M an..3	M an..3	
				ADE = Account number FC = Fiscal number VA = VAT registration number XA = Company/place registration number AP = Accounts receivable number GN = Government reference number
1154	Reference identifier	C an..70	R an..17	
1156	Document line identifier	C an..6	N	not used
4000	Reference version identifier	C an..35	N	not used
1060	Revision identifier	C an..6	N	not used

Comment:

Example:

RFF+ADE:Contract 123'

SMSI (Swedish Multi Sector Invoice)

UN/EDIFACT Message: Segment details

Group: **SG5** Status: O Max. Occ.: 1 Information contact

Segment: **CTA** Seq. No.: 63 Level: 2 **Contact information**
 Status: M Max. Occ.: 1
 Counter: 0340

Name: **Contact information**

Description of segment:

UN/EDIFACT			Implementation	
	Name	St Format	St Format	Use / Remarks
CTA				
3139	Contact function code	C an..3	R an..3	IC = Information contact AP = Accounts payable contact
C056	Department or employee details	C	O	
3413	Department or employee name code	C an..17	O an..17	
3412	Department or employee name	C an..35	O an..35	

Comment:

Example:

CTA+IC+:Contact name'

SMSI (Swedish Multi Sector Invoice)

UN/EDIFACT Message: Segment details

Group: **SG5** Status: O Max. Occ.: 1 Information contact

Segment: **COM** Seq. No.: 64 Level: 3 **Communication contact**
 Status: O Max. Occ.: 5
 Counter: 0350

Name: **Communication contact**

Description of segment:

UN/EDIFACT			Implementation	
	Name	St Format	St Format	Use / Remarks
COM				
C076	Communication contact	M	M	
3148	Communication address identifier	M an..512	M an..100	
3155	Communication address code qualifier	M an..3	M an..3	
				TE = Telephone FX = Telefax EX = Extension EM = Electronic mail IM = Internal mail AL = Cellular phone

Comment:

Example:

COM+089-99887700:TE'

SMSI (Swedish Multi Sector Invoice)

UN/EDIFACT Message: Segment details

Group: **SG2** Status: O Max. Occ.: 1 Ship-from
CZ=SF

Segment: **NAD** Seq. No.: 65 Level: 1 **Name and address**
Status: M Max. Occ.: 1
Counter: 0230

Name: Ship-from

Description of segment:

UN/EDIFACT		Implementation		
	Name	St Format	St Format	Use / Remarks
NAD				
3035	Party function code qualifier	M an..3	M an..3	SF = Ship from
C082	Party identification details	C	R	
3039	Party identifier	M an..35	R an..35	
1131	Code list identification code	C an..17	N	not used
3055	Code list responsible agency code	C an..3	R an..3	
				5 = ISO (International Organization for Standardization)
				10 = ODETTE
				16 = US, D&B (Dun & Bradstreet Corporation)
				91 = Assigned by seller or seller's agent
				92 = Assigned by buyer or buyer's agent
				167 = US, AIAG (Automotive Industry Action Group)
				289 = JP, JIPDEC/ECPC (Japan Information Processing Development Center / Electronic Commerce Promotion Center)
				9 = EAN International (GS1)
C058	Name and address	C	N	not used
3124	Name and address description	M an..35	N	not used
3124	Name and address description	C an..35	O an..35	see 3124 # 1
3124	Name and address description	C an..35	O an..35	see 3124 # 1
3124	Name and address description	C an..35	O an..35	see 3124 # 1
3124	Name and address description	C an..35	O an..35	see 3124 # 1
C080	Party name	C	R	
3036	Party name	M an..35	M an..35	
3036	Party name	C an..35	O an..35	
3036	Party name	C an..35	N	not used
3036	Party name	C an..35	N	not used
3036	Party name	C an..35	N	not used
3045	Party name format code	C an..3	N	not used
C059	Street	C	D	
3042	Street and number or post office box identifier	M an..35	M an..35	
3042	Street and number or post office box identifier	C an..35	O an..35	Ship-from Street Line 1
3042	Street and number or post office	C an..35	N	not used

SMSI (Swedish Multi Sector Invoice)

UN/EDIFACT Message: Segment details

UN/EDIFACT			Implementation	
	Name	St Format	St Format	Use / Remarks
	box identifier			
3042	Street and number or post office box identifier	C an..35	N	not used
3164	City name	C an..35	O an..35	For usage see comment on C082.
C819	Country sub-entity details	C	O	
3229	Country sub-entity name code	C an..9	R an..9	
1131	Code list identification code	C an..17	N	not used
3055	Code list responsible agency code	C an..3	N	not used
3228	Country sub-entity name	C an..70	N	not used
3251	Postal identification code	C an..17	O an..17	For usage see comment on C082.
3207	Country name code	C an..3	O a2	For usage see comment on C082.

Comment:

Example:

NAD+SF+Plant 22::91'NAD+SF+++Ship From name+Ship From street / number+City+SE-O+10369+

SMSI (Swedish Multi Sector Invoice)

UN/EDIFACT Message: Segment details

Group: **SG3** Status: O Max. Occ.: 3 Ship-from's reference number(s)

Segment: **RFF** Seq. No.: 66 Level: 2 **Reference**
 Status: M Max. Occ.: 1
 Counter: 0280

Name: **Ship-from's reference number(s)**

Description of segment:

UN/EDIFACT			Implementation	
	Name	St Format	St Format	Use / Remarks
RFF				
C506	Reference	M	M	
1153	Reference code qualifier	M an..3	M an..3	
				ADE = Account number VA = VAT registration number
1154	Reference identifier	C an..70	R an..17	
1156	Document line identifier	C an..6	N	not used
4000	Reference version identifier	C an..35	N	not used
1060	Revision identifier	C an..6	N	not used

Comment:

Example:

RFF+ADE:765434'

SMSI (Swedish Multi Sector Invoice)

UN/EDIFACT Message: Segment details

Group: **SG5** Status: O Max. Occ.: 1 Information contact

Segment: **CTA** Seq. No.: 67 Level: 2 **Contact information**
Status: M Max. Occ.: 1
Counter: 0340

Name: Contact information

Description of segment:

UN/EDIFACT		Implementation		
	Name	St Format	St Format	Use / Remarks
CTA				
3139	Contact function code	C an..3	R an..3	IC = Information contact
C056	Department or employee details	C	O	
3413	Department or employee name code	C an..17	O an..17	
3412	Department or employee name	C an..35	O an..35	

Comment:

Example:

CTA+IC+:department'

SMSI (Swedish Multi Sector Invoice)

UN/EDIFACT Message: Segment details

Group: **SG5** Status: O Max. Occ.: 1 Information contact

Segment: **COM** Seq. No.: 68 Level: 3 **Communication contact**
 Status: O Max. Occ.: 5
 Counter: 0350

Name: **Communication contact**

Description of segment:

UN/EDIFACT		Implementation		
	Name	St Format	St Format	Use / Remarks
COM				
C076	Communication contact	M	M	
3148	Communication address identifier	M an..512	M an..100	
3155	Communication address code qualifier	M an..3	M an..3	
				TE = Telephone FX = Telefax EX = Extension EM = Electronic mail IM = Internal mail AL = Cellular phone

Comment:

A maximum of 5 out of the 7 possible communication numbers attached to the contact may be transmitted.

Example:

COM+07732-456765:TE'

SMSI (Swedish Multi Sector Invoice)

UN/EDIFACT Message: Segment details

Group: **SG2** Status: O Max. Occ.: 1 Invoice issuer

Segment: **NAD** Seq. No.: 69 Level: 1 Name and address
 Status: M Max. Occ.: 1
 Counter: 0230

Name: Invoice issuer

Description of segment:

UN/EDIFACT		Implementation		
	Name	St Format	St Format	Use / Remarks
NAD				
3035	Party function code qualifier	M an..3	M an..3	II = Issuer of invoice
C082	Party identification details	C	R	
3039	Party identifier	M an..35	R an..35	
1131	Code list identification code	C an..17	N	not used
3055	Code list responsible agency code	C an..3	R an..3	
				5 = ISO (International Organization for Standardization) 10 = ODETTE 16 = US, D&B (Dun & Bradstreet Corporation) 91 = Assigned by seller or seller's agent 92 = Assigned by buyer or buyer's agent 167 = US, AIAG (Automotive Industry Action Group) 289 = JP,JIPDEC/ECPC (Japan Information Processing Development Center / Electronic Commerce Promotion Center) 9 = EAN International (GS1)
C058	Name and address	C	N	not used
3124	Name and address description	M an..35	M an..35	
3124	Name and address description	C an..35	O an..35	see 3124 # 1
3124	Name and address description	C an..35	O an..35	see 3124 # 1
3124	Name and address description	C an..35	O an..35	see 3124 # 1
3124	Name and address description	C an..35	O an..35	see 3124 # 1
C080	Party name	C	R	
3036	Party name	M an..35	M an..35	
3036	Party name	C an..35	O an..35	see 3036 # 1
3036	Party name	C an..35	N	not used
3036	Party name	C an..35	N	not used
3036	Party name	C an..35	N	not used
3045	Party name format code	C an..3	N	not used
C059	Street	C	D	
3042	Street and number or post office box identifier	M an..35	M an..35	
3042	Street and number or post office box identifier	C an..35	O an..35	see 3042 # 2
3042	Street and number or post office box identifier	C an..35	N	not used

SMSI (Swedish Multi Sector Invoice)

UN/EDIFACT Message: Segment details

UN/EDIFACT			Implementation	
	Name	St Format	St Format	Use / Remarks
3042	Street and number or post office box identifier	C an..35	N	not used
3164	City name	C an..35	R an..35	
C819	Country sub-entity details	C	O	
3229	Country sub-entity name code	C an..9	R an..9	
1131	Code list identification code	C an..17	N	not used
3055	Code list responsible agency code	C an..3	N	not used
3228	Country sub-entity name	C an..70	N	not used
3251	Postal identification code	C an..17	R an..17	
3207	Country name code	C an..3	D a2	Use this element if the qualifier is other than *SE*.

Comment:

Example:

NAD+II+765435::92'NAD++++Invoice Issuer name+Invoice Issuer street / number+City+SE-O+

SMSI (Swedish Multi Sector Invoice)

UN/EDIFACT Message: Segment details

Group: **SG3** Status: O Max. Occ.: 3 Invoice issuer's reference number(s)

Segment: **RFF** Seq. No.: 70 Level: 2 **Reference**
 Status: M Max. Occ.: 1
 Counter: 0280

Name: Invoice issuer's reference number(s)

Description of segment:

UN/EDIFACT			Implementation	
	Name	St Format	St Format	Use / Remarks
RFF				
C506	Reference	M	M	
1153	Reference code qualifier	M an..3	M an..3	
				ADE = Account number FC = Fiscal number VA = VAT registration number
1154	Reference identifier	C an..70	R an..17	
1156	Document line identifier	C an..6	N	not used
4000	Reference version identifier	C an..35	N	not used
1060	Revision identifier	C an..6	N	not used

Comment:

Example:

RFF+ADE:667788'

SMSI (Swedish Multi Sector Invoice)

UN/EDIFACT Message: Segment details

Group: **SG5** Status: O Max. Occ.: 1 Information contact

Segment: **CTA** Seq. No.: 71 Level: 2 **Contact information**
 Status: M Max. Occ.: 1
 Counter: 0340

Name: **Contact information**

Description of segment:

UN/EDIFACT			Implementation	
	Name	St Format	St Format	Use / Remarks
CTA				
3139	Contact function code	C an..3	R an..3	IC = Information contact
C056	Department or employee details	C	O	
3413	Department or employee name code	C an..17	O an..17	
3412	Department or employee name	C an..35	O an..35	

Comment:

Example:

CTA+IC+:Ernest Meyer'

SMSI (Swedish Multi Sector Invoice)

UN/EDIFACT Message: Segment details

Group: **SG5** Status: O Max. Occ.: 1 Information contact

Segment: **COM** Seq. No.: 72 Level: 3 **Communication contact**
 Status: O Max. Occ.: 5
 Counter: 0350

Name: **Communication contact**

Description of segment:

UN/EDIFACT			Implementation	
	Name	St Format	St Format	Use / Remarks
COM				
C076	Communication contact	M	M	
3148	Communication address identifier	M an..512	M an..100	
3155	Communication address code qualifier	M an..3	M an..3	
				TE = Telephone FX = Telefax EX = Extension EM = Electronic mail IM = Internal mail AL = Cellular phone

Comment:

Example:

COM+001 248 987 666 55:TE'

SMSI (Swedish Multi Sector Invoice)

UN/EDIFACT Message: Segment details

Group: **SG2** Status: D Max. Occ.: 1 Tax representative party
Beast: ITO

Segment: **NAD** Seq. No.: 73 Level: 1 Name and address
Status: M Max. Occ.: 1
Counter: 0230

Name: Tax representative

Description of segment:

UN/EDIFACT		Implementation		
	Name	St Format	St Format	Use / Remarks
NAD				
3035	Party function code qualifier	M an..3	M an..3	LC = Party declaring the Value Added Tax (VAT)
C082	Party identification details	C	N	not used
3039	Party identifier	M an..35	N	not used
1131	Code list identification code	C an..17	N	not used
3055	Code list responsible agency code	C an..3	N	not used
C058	Name and address	C	O	
3124	Name and address description	M an..35	M an..35	
3124	Name and address description	C an..35	O an..35	see 3124 # 1
3124	Name and address description	C an..35	O an..35	see 3124 # 1
3124	Name and address description	C an..35	O an..35	see 3124 # 1
3124	Name and address description	C an..35	O an..35	see 3124 # 1
C080	Party name	C	R	
3036	Party name	M an..35	M an..35	
3036	Party name	C an..35	O an..35	see 3036 # 1
3036	Party name	C an..35	N	not used
3036	Party name	C an..35	N	not used
3036	Party name	C an..35	N	not used
3045	Party name format code	C an..3	N	not used
C059	Street	C	O	
3042	Street and number or post office box identifier	M an..35	M an..35	
3042	Street and number or post office box identifier	C an..35	C an..35	see 3042 # 1
3042	Street and number or post office box identifier	C an..35	N	not used
3042	Street and number or post office box identifier	C an..35	N	not used
3164	City name	C an..35	O an..35	
C819	Country sub-entity details	C	O	
3229	Country sub-entity name code	C an..9	C an..9	
1131	Code list identification code	C an..17	N	not used
3055	Code list responsible agency code	C an..3	N	not used

SMSI (Swedish Multi Sector Invoice)

UN/EDIFACT Message: Segment details

UN/EDIFACT			Implementation	
	Name	St Format	St Format	Use / Remarks
3228	Country sub-entity name	C an..70	N	not used
3251	Postal identification code	C an..17	O an..17	
3207	Country name code	C an..3	O an..3	

Comment:

Example:

NAD+LC+++ABC Inc.+Small lane 35+Newtown++WC2-5CD+GB'

SMSI (Swedish Multi Sector Invoice)

UN/EDIFACT Message: Segment details

Group: **SG3** Status: R Max. Occ.: 1 VAT registration number

Segment: **RFF** Seq. No.: 74 Level: 2 **Reference**
 Status: M Max. Occ.: 1
 Counter: 0280

Name: **Reference**

Description of segment:

UN/EDIFACT			Implementation	
	Name	St Format	St Format	Use / Remarks
RFF				
C506	Reference	M	M	
1153	Reference code qualifier	M an..3	M an..3	VA = VAT registration number
1154	Reference identifier	C an..70	R an..17	
1156	Document line identifier	C an..6	N	not used
4000	Reference version identifier	C an..35	N	not used
1060	Revision identifier	C an..6	N	not used

Comment:

Example:

RFF+VA:GB 77766655'

SMSI (Swedish Multi Sector Invoice)

UN/EDIFACT Message: Segment details

Group: SG6 Status: O Max. Occ.: 5 VAT or other tax rate for VAT Exempt

Segment: TAX Seq. No.: 75 Level: 1 **Duty/tax/fee details**
 Status: M Max. Occ.: 1
 Counter: 0370

Name: VAT or other tax rate line item

Description of segment:

UN/EDIFACT		Implementation		
	Name	St Format	St Format	Use / Remarks
TAX				
5283	Duty or tax or fee function code qualifier	M an..3	M an..3	
				7 = Tax
C241	Duty/tax/fee type	C	R	
5153	Duty or tax or fee type name code	C an..3	O an..3	Code OTH shall be used when the tax in question is not VAT. AAG = Harmonised sales tax, Canadian AAH = Quebec sales tax AAI = Canadian provincial sales tax BOL = Stamp duty (Imposta di Bollo) GST = Goods and services tax LOC = Local sales tax OTH = Other taxes VAT = Value added tax SCN = Special construction tax ENV = Environmental tax
1131	Code list identification code	C an..17	N	not used
3055	Code list responsible agency code	C an..3	N	not used
5152	Duty or tax or fee type name	C an..35	N	not used
C533	Duty/tax/fee account detail	C	N	not used
5289	Duty or tax or fee account code	M an..6	N	not used
1131	Code list identification code	C an..17	N	not used
3055	Code list responsible agency code	C an..3	N	not used
5286	Duty or tax or fee assessment basis quantity	C an..15	N	not used
C243	Duty/tax/fee detail	C	R	
5279	Duty or tax or fee rate code	C an..7	N	not used
1131	Code list identification code	C an..17	N	not used
3055	Code list responsible agency code	C an..3	N	not used
5278	Duty or tax or fee rate	C an..17	R n..7	The tax rate (numeric) should be presented as follows: 19.5% ==> :19.5
5273	Duty or tax or fee rate basis code	C an..12	N	not used
1131	Code list identification code	C an..17	N	not used
3055	Code list responsible agency code	C an..3	N	not used
5305	Duty or tax or fee category code	C an..3	R an..3	The use of any valid EDIFACT code is permitted, the trading partners may limit the codes in accordance with business and legal requirements.

SMSI (Swedish Multi Sector Invoice)

UN/EDIFACT Message: Segment details

UN/EDIFACT			Implementation	
	Name	St Format	St Format	Use / Remarks
				<p>(1) Codes created to comply with the European invoicing directive. These codes are not yet part of the official EDIFACT code list. In Europe it is recommended or may be even required to use these more specific codes instead of code E .</p> <p>Recommendation: Code E has to be used together in combination with Free text qualifier ABL.</p> <p>E = Exempt from tax O = Services outside scope of tax S = Standard rate Z = Zero rated goods</p> <p>AAA = Exempt - Article 15 of Directive 77/388/EC (1) AAB = Exempt - Article 16 of Directive 77/388/EC (1) AAC = Exempt - Article 28c(A) of Directive 77/388/EC (1) AAE = Exempt - Article 28b(C) (D) (E) (F) of Directive 77/388/EC (1) AAF = Exempt - Article 26b(B) of Directive 77/388/EC (1) AAG = Exempt - Article 13 of Directive 77/388/EC (1) AAH = Margin Scheme - Article 26a of Directive 77/388/EC (1) AAI = Margin - Article 26 of Directive 77/388/EC (1) AAJ = Reverse Charge - Article 26b(F) of Directive 77/388/EC (1) AAK = Reverse Charge - Article 21 1.a of Directive 77/388/EC (1) AAL = Reverse Charge - 2nd subparagraph of Article 16(1) of Directive 77/388/EC (1) AAM = New Means of Transport - Article 28a(2) of Directive 77/388/EC (1) AAN = Exempt - Article 28c(E)(3) of Directive 77/388/EC Triangulation (1) AAO = Reverse Charge - Article 9.2.e of Directive 77/388/EC (1)</p>
3446	Party tax identifier	C an..20	N	not used
1227	Calculation sequence code	C an..3	N	not used

Comment:

When sending a message with data element 5278 in the TAX segment, the value added tax rate (numeric) should be presented in an alpha-numeric field as follows: 19,5% ==> :19.5

Example:

TAX+7+VAT++++:::16+S'

SMSI (Swedish Multi Sector Invoice)

UN/EDIFACT Message: Segment details

Group: **SG7** Status: R Max. Occ.: 1 Invoice and home or payment currency
 Beast Kolla vilka koder som skall användas: 3,4,10,10E (motsvarar 3i home currency),11

Segment: **CUX** Seq. No.: 76 Level: 1 **Currencies**
 Status: M Max. Occ.: 1
 Counter: 0410

Name: Currencies

Description of segment:

UN/EDIFACT		Implementation		
	Name	St Format	St Format	Use / Remarks
CUX				
C504	Currency details	C	C	Invoice currency
6347	Currency usage code qualifier	M an..3	M an..3	2 = Reference currency
6345	Currency identification code	C an..3	R an..3	Invoicing currency
6343	Currency type code qualifier	C an..3	R an..3	10E 'Momsvaluta' 4 = Invoicing currency 10 = Pricing currency 11 = Payment currency
6348	Currency rate	C n..4	N	not used
C504	Currency details	C	O	Home or payment currency
6347	Currency usage code qualifier	M an..3	M an..3	3 = Target currency
6345	Currency identification code	C an..3	R an..3	Payment currency, coded according to ISO 4217 three alpha code.
6343	Currency type code qualifier	C an..3	R an..3	Currency Purpose 10e = momsvaluta 3 = Home currency 11 = Payment currency 10 = Pricing currency 4 = Invoicing currency
6348	Currency rate	C n..4	N	not used
5402	Currency exchange rate	C n..12	O n..12	Currency Conversion Rate
6341	Exchange rate currency market identifier	C an..3	N	not used

Comment:

If the invoicing currency is the official domestic currency, this segment group can be omitted (this may depend on national fiscal requirements). Otherwise it is used to state the necessary currencies.

It has to contain the invoice currency and may contain home or payment currency.

Invoicing currency is always to be given in the first occurrence of the CUX segment, C504#1 as follows: 6347 '2', 6345 Currency, 6343 '4'

If a different payment or home currency is to be given, the second occurrence of C504 in the CUX segment is to be used as follows:

second 6347: '3', second 6345 contains the currency, and second 6343: '3' or '11'. Data element 5402 contains the currency conversion rate.

If three currencies have to be transmitted, another SG7 - CUX, DTM has to be created and the following rule shall apply:

SG7#1 CUX C504#1: invoice currency (see above)

SG7#1 CUX C504#2: payment currency (see above)

SMSI (Swedish Multi Sector Invoice)

UN/EDIFACT Message: Segment details

SG7#2 CUX C504#1: home currency (see below)
6347 '3' 6345 Currency 6343 '3'

Home currency: in some countries it is a requirement that, for invoicing in foreign currency, the invoice taxable and tax (e.g. VAT) amounts must also be expressed in home currency. Relating this to the CUX segments, authorities would require the invoicing currency and the home currency to be shown, together with the rate of exchange (element 5402) used.

Example:

CUX+2:EUR:4+3:SEK:11+9.987'

SMSI (Swedish Multi Sector Invoice)

UN/EDIFACT Message: Segment details

Group: **SG7** Status: R Max. Occ.: 1 Invoice and home or payment currency
 Beast Kolla vilka koder som skall användas: 3,4,10,10E (motsvarar 3i home currency),11

Segment: **DTM** Seq. No.: 77 Level: 2 **Date/time/period**
 Status: D Max. Occ.: 1
 Counter: 0420

Name: Exchange rate date

Description of segment:

UN/EDIFACT		Implementation		
	Name	St Format	St Format	Use / Remarks
DTM				
C507	Date/time/period	M	M	
2005	Date or time or period function code qualifier	M an..3	M an..3	134 = Rate of exchange date/time
2380	Date or time or period text	C an..35	R n8	Rate of Exchange Date
2379	Date or time or period format code	C an..3	R an..3	
				102 = CCYYMMDD
				203 = CCYYMMDDHHMM
				204 = CCYYMMDDHHMMSS

Comment:

The exchange rate date has to be specified only when payment currency is used in an invoice.

Example:

DTM+134:20041230:102'

SMSI (Swedish Multi Sector Invoice)

UN/EDIFACT Message: Segment details

Group: **SG7** Status: O Max. Occ.: 1 Home currency

Segment: **CUX** Seq. No.: 78 Level: 1 **Currencies**
 Status: M Max. Occ.: 1
 Counter: 0410

Name: Home currency

Description of segment:

UN/EDIFACT			Implementation	
	Name	St Format	St Format	Use / Remarks
CUX				
C504	Currency details	C	R	
6347	Currency usage code qualifier	M an..3	M an..3	3 = Target currency
6345	Currency identification code	C an..3	R an..3	
6343	Currency type code qualifier	C an..3	R an..3	Currency Purpose 3 = Home currency
6348	Currency rate	C n..4	N	not used
C504	Currency details	C	N	not used
6347	Currency usage code qualifier	M an..3	N	not used
6345	Currency identification code	C an..3	N	not used
6343	Currency type code qualifier	C an..3	N	not used
6348	Currency rate	C n..4	N	not used
5402	Currency exchange rate	C n..12	C n..12	
6341	Exchange rate currency market identifier	C an..3	N	not used

Comment:

In some countries it is a requirement that, for invoicing in foreign currency, the invoice taxable and tax (e.g. VAT) amounts must also be expressed in home currency. Relating this to the CUX segments, authorities would require the invoicing currency and the home currency to be shown, together with the rate of exchange (element 5402) used.

Invoicing currency is always to be given in the first occurrence of the CUX segment.

Example:

CUX+3:GBP:3++0.711'

SMSI (Swedish Multi Sector Invoice)

UN/EDIFACT Message: Segment details

Group: **SG7** Status: O Max. Occ.: 1 Home currency

Segment: **DTM** Seq. No.: 79 Level: 2 **Date/time/period**
Status: O Max. Occ.: 1
Counter: 0420

Name: Exchange rate date

Description of segment:

UN/EDIFACT		Implementation		
	Name	St Format	St Format	Use / Remarks
DTM				
C507	Date/time/period	M	M	
2005	Date or time or period function code qualifier	M an..3	M an..3	134 = Rate of exchange date/time
2380	Date or time or period text	C an..35	R n8	Rate of Exchange Date
2379	Date or time or period format code	C an..3	R an..3	
				102 = CCYYMMDD 203 = CCYYMMDDHHMM 204 = CCYYMMDDHHMMSS

Comment:

This exchange rate date has to be specified only when it differs from the exchange rate date given in the segment group for invoice and payment currency.

Example:

DTM+134:20041230:102'

SMSI (Swedish Multi Sector Invoice)

UN/EDIFACT Message: Segment details

Group: **SG8** Status: D Max. Occ.: 10 Payment instructions

Segment: **PYT** Seq. No.: 80 Level: 1 **Payment terms**
 Status: M Max. Occ.: 1
 Counter: 0440

Name: Payment terms

Description of segment:

UN/EDIFACT		Implementation		
	Name	St Format	St Format	Use / Remarks
PYT				
4279	Payment terms type code qualifier	M an..3	M an..3	Beast. koderna 3 och 18 Kolla igenom hanteringen av Betalningsinformation 1 = Basic 3 = Fixed date 18 = Previously agreed upon 20 = Penalty terms 21 = Payment by instalment 22 = Discount 23 = Available by sight payment 54 = Bank transfer 75 = Lump sum 77 = Promissory note 78 = Factoring
C019	Payment terms	C	N	not used
4277	Payment terms description identifier	C an..17	N	not used
1131	Code list identification code	C an..17	N	not used
3055	Code list responsible agency code	C an..3	N	not used
4276	Payment terms description	C an..35	N	not used
2475	Time reference code	C an..3	O an..3	See code list 2475 Beast kod 5 och 6 5 = Date of invoice 6 = Date of credit note 66 = Specified date
2009	Terms time relation code	C an..3	O an..3	Date (Relation) 1 = Reference date 2 = Before reference 3 = After reference 4 = End of 10-day period containing the reference date 5 = End of 2-week period containing the reference date 6 = End of month containing the reference date 8 = End of quarter containing the reference date 9 = End of year containing the reference date 12 = End of half year containing the reference date
2151	Period type code	C an..3	O an..3	Type Of Period Coded Beast Ny kod WD 3M = Quarter 6M = Half-year D = Day M = Month P = Four month period

SMSI (Swedish Multi Sector Invoice)

UN/EDIFACT Message: Segment details

UN/EDIFACT		Implementation		
	Name	St Format	St Format	Use / Remarks
2152	Period count quantity	C n..3	O n..3	W = Week WD = Workday Y = Year Number Of Periods

Comment:

Example:

PYT+22++5:1:D:10'

SMSI (Swedish Multi Sector Invoice)

UN/EDIFACT Message: Segment details

Group: **SG8** Status: D Max. Occ.: 10 Payment instructions

Segment: **DTM** Seq. No.: 81 Level: 2 **Date/time/period**
 Status: O Max. Occ.: 1
 Counter: 0450

Name: **Payment due date**

Description of segment:

UN/EDIFACT		Implementation		
	Name	St Format	St Format	Use / Remarks
DTM				
C507	Date/time/period	M	M	
2005	Date or time or period function code qualifier	M an..3	M an..3	140 = Payment due date 13 = Terms net due date 12 = Terms discount due date/time
2380	Date or time or period text	C an..35	R an..35	
2379	Date or time or period format code	C an..3	R an..3	102 = CCYYMMDD 203 = CCYYMMDDHHMM 204 = CCYYMMDDHHMMSS 718 = CCYYMMDD-CCYYMMDD

Comment:

This segment can be used in conjunction with any of the applicable qualifiers in the leading PYT segment.
 Best 13

Example:

DTM+140:20040110:102'

SMSI (Swedish Multi Sector Invoice)

UN/EDIFACT Message: Segment details

Group: **SG8** Status: D Max. Occ.: 10 Payment instructions

Segment: **DTM** Seq. No.: 82 Level: 2 **Date/time/period**
 Status: O Max. Occ.: 1
 Counter: 0450

Name: **Reference date/time**

Description of segment:

UN/EDIFACT			Implementation	
	Name	St Format	St Format	Use / Remarks
DTM				
C507	Date/time/period	M	M	
2005	Date or time or period function code qualifier	M an..3	M an..3	171 = Reference date/time
2380	Date or time or period text	C an..35	R n8	
2379	Date or time or period format code	C an..3	O an..3	
				102 = CCYYMMDD
				203 = CCYYMMDDHHMM
				204 = CCYYMMDDHHMMSS

Comment:

The reference date is related to data element 2009 or code ZZZ in DE 2475 in the previous PYT segment. If data element 2009 is filled, this reference date has to be specified.

Example:

DTM+171:20040131:102'

SMSI (Swedish Multi Sector Invoice)

UN/EDIFACT Message: Segment details

Group: **SG8** Status: D Max. Occ.: 10 Payment instructions

Segment: **PCD** Seq. No.: 83 Level: 2 **Percentage details**
 Status: D Max. Occ.: 1
 Counter: 0460

Name: **Discount, payment or instalment percentage**

Description of segment:

UN/EDIFACT			Implementation	
	Name	St Format	St Format	Use / Remarks
PCD				
C501	Percentage details	M	M	
5245	Percentage type code qualifier	M an..3	M an..3	Payment Variation Qualifier Code 7 must be used in conjunction with code 262 in the following MOA segment, DE 5025. Code 12 must be used in conjunction with code 52 in MOA, DE 5025. Code 122 requires code 77 in the MOA segment. Code 122 is used to indicate the percentages of the total payment that is covered by the payment means, which is specified in the triggering PYT segment. 7 = Percentage of invoice 12 = Discount 15 = Penalty percentage 122 = Percentage of total payment
5482	Percentage	C n..10	R n..10	Payment Variation
5249	Percentage basis identification code	C an..3	N	not used
1131	Code list identification code	C an..17	N	not used
3055	Code list responsible agency code	C an..3	N	not used
4405	Status description code	C an..3	N	not used

Comment:

This segment specifies - dependent on qualifier of leading PYT segment - the discount percentage or the percentage of an invoice that an instalment is based on. The following MOA segment has to match this percentage, if given.

Beast

Example:

PCD+12:2'

SMSI (Swedish Multi Sector Invoice)

UN/EDIFACT Message: Segment details

Group: **SG8** Status: D Max. Occ.: 10 Payment instructions

Segment: **MOA** Seq. No.: 84 Level: 2 **Monetary amount**
 Status: O Max. Occ.: 1
 Counter: 0470

Name: Instalment, penalty, or discount amount

Description of segment:

UN/EDIFACT			Implementation	
	Name	St Format	St Format	Use / Remarks
MOA				
C516	Monetary amount	M	M	
5025	Monetary amount type code qualifier	M an..3	M an..3	Code 77 is used to indicate a penalty Kolla ovanstående koder. Det är 3 st som betyder samma sak. 262 = Instalment amount 52 = Discount amount 77 = Invoice amount 345 = Cost information for providing the statement 201 = Penalty amount
5004	Monetary amount	C n..35	R n..15	Amount (Instalment or Discount)
6345	Currency identification code	C an..3	O an..3	
6343	Currency type code qualifier	C an..3	N	not used
4405	Status description code	C an..3	N	not used

Comment:

Example:

MOA+52:20'

SMSI (Swedish Multi Sector Invoice)

UN/EDIFACT Message: Segment details

Group: SG9 Status: C Max. Occ.: 10 TDT

Segment: TDT Seq. No.: 85 Level: 1 **Transport information**
 Status: M Max. Occ.: 1
 Counter: 0510

Name: **Transport information**

Description of segment:

UN/EDIFACT		Implementation		
	Name	St Format	St Format	Use / Remarks
TDT				
8051	Transport stage code qualifier	M an..3	M an..3	1 = Inland transport 13 = At destination 20 = Main-carriage transport
8028	Means of transport journey identifier	C an..17	N	not used
C220	Mode of transport	C	R	
8067	Transport mode name code	C an..3	R an..3	10 = Maritime transport 20 = Rail transport 30 = Road transport 40 = Air transport
8066	Transport mode name	C an..17	N	not used
C001	Transport means	C	N	not used
8179	Transport means description code	C an..8	N	not used
1131	Code list identification code	C an..17	N	not used
3055	Code list responsible agency code	C an..3	N	not used
8178	Transport means description	C an..17	N	not used
C040	Carrier	C	N	not used
3127	Carrier identifier	C an..17	N	not used
1131	Code list identification code	C an..17	N	not used
3055	Code list responsible agency code	C an..3	N	not used
3128	Carrier name	C an..35	N	not used
8101	Transit direction indicator code	C an..3	N	not used
C401	Excess transportation information	C	N	not used
8457	Excess transportation reason code	M an..3	N	not used
8459	Excess transportation responsibility code	M an..3	N	not used
7130	Customer shipment authorisation identifier	C an..17	N	not used
C222	Transport identification	C	N	not used
8213	Transport means identification name identifier	C an..9	N	not used
1131	Code list identification code	C an..17	N	not used
3055	Code list responsible agency	C an..3	N	not used

SMSI (Swedish Multi Sector Invoice)

UN/EDIFACT Message: Segment details

UN/EDIFACT			Implementation	
	Name	St Format	St Format	Use / Remarks
	code			
8212	Transport means identification name	C an..35	N	not used
8453	Transport means nationality code	C an..3	N	not used
8281	Transport means ownership indicator code	C an..3	C an..3	

Comment:

Example:

SMSI (Swedish Multi Sector Invoice)

UN/EDIFACT Message: Segment details

Group: SG12 Status: C Max. Occ.: 5 TOD-LOC

Segment: TOD Seq. No.: 86 Level: 1 **Terms of delivery or transport**
 Status: M Max. Occ.: 1
 Counter: 0600

Name: **Terms of delivery or transport**

Description of segment:

UN/EDIFACT		Implementation		
	Name	St Format	St Format	Use / Remarks
TOD				
4055	Delivery or transport terms function code	C an..3	C an..3	6 = Delivery condition
4215	Transport charges payment method code	C an..3	N	not used
C100	Terms of delivery or transport	C	R	
4053	Delivery or transport terms description code	C an..3	C an..3	CFR = Cost and Freight CIF = Cost, Insurance, Freight (... named port of destination) CIP = Carriage and Insurance Paid to (... named place of destination) CPT = Carriage Paid To (... named place of destination) CPT = Carriage Paid To (... named place of destination) CPT = Carriage Paid To (... named place of destination) DDU = Delivered Duty Unpaid (... named place of destination) DEQ = Delivered Ex Quay (Duty paid) (... named port of destination) DES = Delivered Ex Ship (... named port of destination) EXW = Ex Works (... named place) FAS = Free Along Ship (... named port of shipment) FCA = Free Carrier (... named place) FOB = Free On Board (... named port of shipment)
1131	Code list identification code	C an..17	D an..17	Value omitted: implies Incoterms 2000. ZCT = Combiterms 2000
3055	Code list responsible agency code	C an..3	N	not used
4052	Delivery or transport terms description	C an..70	N	not used
4052	Delivery or transport terms description	C an..70	N	not used

Comment:

Example:

SMSI (Swedish Multi Sector Invoice)

UN/EDIFACT Message: Segment details

Group: SG12 Status: C Max. Occ.: 5 TOD-LOC

Segment: LOC Seq. No.: 87 Level: 2 **Place/location identification**
 Status: C Max. Occ.: 2
 Counter: 0610

Name: **Place/location identification**

Description of segment:

UN/EDIFACT			Implementation	
	Name	St Format	St Format	Use / Remarks
LOC				
3227	Location function code qualifier	M an..3	O an..3	1 = Place of terms of delivery
C517	Location identification	C	R	
3225	Location name code	C an..35	C an..35	UN/LOCODE (default)
1131	Code list identification code	C an..17	D an..17	Value omitted: implies code is UN/LOCODE
3055	Code list responsible agency code	C an..3	C an..3	
				6 = UN/ECE (United Nations - Economic Commission for Europe)
3224	Location name	C an..256	D an..70	If not available in UN/LOCODE 3225
C519	Related location one identification	C	N	not used
3223	First related location name code	C an..25	N	not used
1131	Code list identification code	C an..17	N	not used
3055	Code list responsible agency code	C an..3	N	not used
3222	First related location name	C an..70	N	not used
C553	Related location two identification	C	N	not used
3233	Second related location name code	C an..25	N	not used
1131	Code list identification code	C an..17	N	not used
3055	Code list responsible agency code	C an..3	N	not used
3232	Second related location name	C an..70	N	not used
5479	Relation code	C an..3	N	not used

Comment:

Beast:

Example:

SMSI (Swedish Multi Sector Invoice)

UN/EDIFACT Message: Segment details

Group: SG16 Status: D Max. Occ.: 9999 ALC-SG19-SG20-SG22
Can be used by Beast

Segment: ALC Seq. No.: 88 Level: 1 **Allowance or charge**
Status: M Max. Occ.: 1
Counter: 0750

Name: Allowance or charge

Description of segment:

UN/EDIFACT		Implementation		
Name	St Format	St Format	Use / Remarks	
ALC				
5463	Allowance or charge code qualifier	M an..3	M an..3	A = Allowance C = Charge
C552	Allowance/charge information	C	C	
1230	Allowance or charge identifier	C an..35	D an..35	Används om DE7161 = PO Beast
5189	Allowance or charge identification code	C an..3	N	not used
4471	Settlement means code	C an..3	R an..3	Beast 2 = Off invoice 6 = Charge to be paid by customer
1227	Calculation sequence code	C an..3	N	not used
C214	Special services identification	C	R	
7161	Special service description code	C an..3	R an..3	Beast:,ZBC =bonus, ,ZBP= Bonus last year,,ZCL = Claim, ,ZCP = rebate coupon,ZDG= rebate group, RCH = Return Charge ??? EAN DI,FC,SH,QD, EP,RAA ,AEL EP = Expediting FC = Freight service PO = Per order charge RAA = Rebate RAD = Returnable container DI = Discount PAE = Promotional discount FI = Financing CAC = Cash discount SH = Special handling QD = Quantity discount AEL = Small order processing service TV = Transportation by vendor IN = Insurance AEV = Environmental protection service IS = Invoicing PI = Pick-up allowance
1131	Code list identification code	C an..17	N	not used
3055	Code list responsible agency code	C an..3	N	not used
7160	Special service description	C an..35	N	not used
7160	Special service description	C an..35	N	not used

Comment:
BEAST

SMSI (Swedish Multi Sector Invoice)

UN/EDIFACT Message: Segment details

Example:

ALC+A++++ABK'

SMSI (Swedish Multi Sector Invoice)

UN/EDIFACT Message: Segment details

Group: **SG19** Status: C Max. Occ.: 1 PCD

Segment: **PCD** Seq. No.: 89 Level: 2 **Percentage details**
 Status: M Max. Occ.: 1
 Counter: 0850

Name: **Percentage details**

Description of segment:

UN/EDIFACT			Implementation	
	Name	St Format	St Format	Use / Remarks
PCD				
C501	Percentage details	M	M	
5245	Percentage type code qualifier	M an..3	M an..3	Beast 1 = Allowance 2 = Charge 12 = Discount 13 = Amount tolerance
5482	Percentage	C n..10	M n..10	
5249	Percentage basis identification code	C an..3	N	not used
1131	Code list identification code	C an..17	N	not used
3055	Code list responsible agency code	C an..3	N	not used
4405	Status description code	C an..3	N	not used

Comment:

Example:

SMSI (Swedish Multi Sector Invoice)

UN/EDIFACT Message: Segment details

Group: SG20 Status: D Max. Occ.: 2 MOA

Segment: MOA Seq. No.: 90 Level: 2 **Monetary amount**
 Status: M Max. Occ.: 1
 Counter: 0880

Name: **Monetary amount**

Description of segment:

UN/EDIFACT			Implementation	
	Name	St Format	St Format	Use / Remarks
MOA				
C516	Monetary amount	M	M	
5025	Monetary amount type code qualifier	M an..3	M an..3	8 = Allowance or charge amount 23 = Charge amount 204 = Allowance amount 237 = Amount subject to price adjustment, initial 52 = Discount amount
5004	Monetary amount	C n..35	R n..18	
6345	Currency identification code	C an..3	C an..3	
6343	Currency type code qualifier	C an..3	N	not used
4405	Status description code	C an..3	N	not used

Comment:

Example:

SMSI (Swedish Multi Sector Invoice)

UN/EDIFACT Message: Segment details

Group: SG22 Status: C Max. Occ.: 5 TAX-MOA

Segment: TAX Seq. No.: 91 Level: 2 **Duty/tax/fee details**
 Status: M Max. Occ.: 1
 Counter: 0960

Name: **Duty/tax/fee details**

Description of segment:

UN/EDIFACT		Implementation		
	Name	St Format	St Format	Use / Remarks
TAX				
5283	Duty or tax or fee function code qualifier	M an..3	M an..3	7 = Tax
C241	Duty/tax/fee type	C	R	
5153	Duty or tax or fee type name code	C an..3	R an..3	Beast AAH = Quebec sales tax AAG = Harmonised sales tax, Canadian AAI = Canadian provincial sales tax GST = Goods and services tax ENV = Environmental tax SCN = Special construction tax OTH = Other taxes VAT = Value added tax LOC = Local sales tax
1131	Code list identification code	C an..17	N	not used
3055	Code list responsible agency code	C an..3	N	not used
5152	Duty or tax or fee type name	C an..35	N	not used
C533	Duty/tax/fee account detail	C	N	not used
5289	Duty or tax or fee account code	M an..6	N	not used
1131	Code list identification code	C an..17	N	not used
3055	Code list responsible agency code	C an..3	N	not used
5286	Duty or tax or fee assessment basis quantity	C an..15	D an..15	
C243	Duty/tax/fee detail	C	D	
5279	Duty or tax or fee rate code	C an..7	N	not used
1131	Code list identification code	C an..17	N	not used
3055	Code list responsible agency code	C an..3	N	not used
5278	Duty or tax or fee rate	C an..17	R an..17	The tax rate (numeric) should be presented as follows: 19.5% ==> :19.5
5273	Duty or tax or fee rate basis code	C an..12	N	not used
1131	Code list identification code	C an..17	N	not used
3055	Code list responsible agency code	C an..3	N	not used
5305	Duty or tax or fee category code	C an..3	R an..3	E = Exempt from tax O = Services outside scope of tax S = Standard rate Z = Zero rated goods

SMSI (Swedish Multi Sector Invoice)

UN/EDIFACT Message: Segment details

UN/EDIFACT			Implementation	
	Name	St Format	St Format	Use / Remarks
				AAA = Exempt - Article 15 of Directive 77/388/EC (1) AAM = New Means of Transport - Article 28a(2) of Directive 77/388/EC (1) AAN = Exempt - Article 28c(E)(3) of Directive 77/388/EC Triangulation (1) AAO = Reverse Charge - Article 9.2.e of Directive 77/388/EC (1) AAL = Reverse Charge - 2nd subparagraph of Article 16(1) of Directive 77/388/EC (1) AAB = Exempt - Article 16 of Directive 77/388/EC (1) AAC = Exempt - Article 28c(A) of Directive 77/388/EC (1) AAE = Exempt - Article 28b(C) (D) (E) (F) of Directive 77/388/EC (1) AAF = Exempt - Article 26b(B) of Directive 77/388/EC (1) AAG = Exempt - Article 13 of Directive 77/388/EC (1) AAH = Margin Scheme - Article 26a of Directive 77/388/EC (1) AAI = Margin - Article 26 of Directive 77/388/EC (1) AAJ = Reverse Charge - Article 26b(F) of Directive 77/388/EC (1) AAK = Reverse Charge - Article 21 1.a of Directive 77/388/EC (1)
3446	Party tax identifier	C an..20	N	not used
1227	Calculation sequence code	C an..3	N	not used

Comment:

Example:

SMSI (Swedish Multi Sector Invoice)

UN/EDIFACT Message: Segment details

Group: SG22 Status: C Max. Occ.: 5 TAX-MOA

Segment: MOA Seq. No.: 92 Level: 3 Monetary amount
Status: D Max. Occ.: 1
Counter: 0970

Name: Monetary amount

Description of segment:

UN/EDIFACT			Implementation	
	Name	St Format	St Format	Use / Remarks
MOA				
C516	Monetary amount	M	M	
5025	Monetary amount type code qualifier	M an..3	M an..3	124 = Tax amount 125 = Taxable amount
5004	Monetary amount	C n..35	C n..35	
6345	Currency identification code	C an..3	O an..3	
6343	Currency type code qualifier	C an..3	N	not used
4405	Status description code	C an..3	N	not used

Comment:
Can be used by Beast

Example:

SMSI (Swedish Multi Sector Invoice)

UN/EDIFACT Message: Segment details

Group: SG26 Status: R Max. Occ.: 9999999 Line item section

Segment: LIN Seq. No.: 93 Level: 1 **Line item**
 Status: M Max. Occ.: 1
 Counter: 1100

Name: **Line item**

Description of segment:

UN/EDIFACT			Implementation	
	Name	St Format	St Format	Use / Remarks
LIN				
1082	Line item identifier	C an..6	R n..6	
1229	Action request/notification description code	C an..3	N	not used
C212	Item number identification	C	O	
7140	Item identifier	C an..35	R an..35	Article Number or Control Number
7143	Item type identification code	C an..3	O an..3	EN och UP ersätts av EU= EAN/UCC GTIN Global Trade Identification Number BP = Buyer's part number EN = International Article Numbering Association (EAN) IN = Buyer's item number SA = Supplier's article number UP = UPC (Universal product code)
1131	Code list identification code	C an..17	N	not used
3055	Code list responsible agency code	C an..3	C an..3	9 = EAN International (GS1) 91 = Assigned by seller or seller's agent 92 = Assigned by buyer or buyer's agent
C829	Sub-line information	C	C	
5495	Sub-line indicator code	C an..3	D an..3	1 = Sub-line information
1082	Line item identifier	C an..6	C an..6	Pointer to normal invoice row
1222	Configuration level number	C n..2	N	not used
7083	Configuration operation code	C an..3	N	not used

Comment:

Example:

LIN+1+++1234567890:IN'

SMSI (Swedish Multi Sector Invoice)

UN/EDIFACT Message: Segment details

Group: **SG26** Status: R Max. Occ.: 9999999 Line item section

Segment: **PIA** Seq. No.: 94 Level: 2 **Additional product id**
 Status: O Max. Occ.: 1
 Counter: 1110

Name: **Additional article identifier(s) 1**

Description of segment:

UN/EDIFACT		Implementation		
	Name	St Format	St Format	Use / Remarks
PIA 4347	Product identifier code qualifier	M an..3	M an..3	1 = Additional identification 5 = Product identification
C212	Item number identification	M	R	
7140	Item identifier	C an..35	R an..35	Additional Article Number 1
7143	Item type identification code	C an..3	R an..3	ZMV=Catalognummer modul/variant Beast: ZFI,NOB ,ZFB, ZZ =Mutual,ZMV = Modul variant, NO1= Nobnummer, EB = Enbart benämning. defined Alla koder används av Beast, ZUN SA = Supplier's article number SRS = RSK number IN = Buyer's item number BP = Buyer's part number SG = Standard group of products (mixed assortment) SN = Serial number MF = Manufacturer's (producer's) article number
1131	Code list identification code	C an..17	C an..17	Beast
3055	Code list responsible agency code	C an..3	R an..3	ZFI, ZRS 91 = Assigned by seller or seller's agent 92 = Assigned by buyer or buyer's agent
C212	Item number identification	C	O	
7140	Item identifier	C an..35	R an..35	Design Revision Number
7143	Item type identification code	C an..3	R an..3	GU = Säljarens grupperande kod. DR = Drawing revision number DW = Drawing EN = International Article Numbering Association (EAN)
1131	Code list identification code	C an..17	N	not used
3055	Code list responsible agency code	C an..3	N	not used
C212	Item number identification	C	O	
7140	Item identifier	C an..35	R an..35	Engineering Change Number
7143	Item type identification code	C an..3	R an..3	EC = Engineering change level
1131	Code list identification code	C an..17	N	not used
3055	Code list responsible agency code	C an..3	N	not used
C212	Item number identification	C	C	
7140	Item identifier	C an..35	R an..35	

SMSI (Swedish Multi Sector Invoice)

UN/EDIFACT Message: Segment details

UN/EDIFACT			Implementation	
	Name	St Format	St Format	Use / Remarks
7143	Item type identification code	C an..3	R an..3	GS = General specification number not used
1131	Code list identification code	C an..17	N	
3055	Code list responsible agency code	C an..3	N	
C212	Item number identification	C	C	Colour number
7140	Item identifier	C an..35	R an..35	
7143	Item type identification code	C an..3	R an..3	
1131	Code list identification code	C an..17	N	CL = Colour number not used
3055	Code list responsible agency code	C an..3	N	

Comment:

Any occurrence of CDE C212 may be qualified with one of the listed codes.

Beast: koder = Zfinfo, DW,EN,ZEN,GU,IN,BP,SG,SA,SN,SRS,ZFB,NO1,EFO,NRF

Example:

PIA+1+987654321:SA+101-22-33:DR+21:EC+1234567890:GS+RED001:CL'

SMSI (Swedish Multi Sector Invoice)

UN/EDIFACT Message: Segment details

Group: **SG26** Status: R Max. Occ.: 9999999 Line item section

Segment: **PIA** Seq. No.: 95 Level: 2 **Additional product id**
 Status: O Max. Occ.: 1
 Counter: 1110

Name: **Additional article identifier(s) 2**

Description of segment:

UN/EDIFACT		Implementation		
	Name	St Format	St Format	Use / Remarks
PIA				
4347	Product identifier code qualifier	M an..3	M an..3	
C212	Item number identification	M	M	
7140	Item identifier	C an..35	R an..35	
7143	Item type identification code	C an..3	R an..3	
1131	Code list identification code	C an..17	N	EF = Material code not used
3055	Code list responsible agency code	C an..3	N	not used
C212	Item number identification	C	O	
7140	Item identifier	C an..35	R an..35	
7143	Item type identification code	C an..3	R an..3	
1131	Code list identification code	C an..17	N	GB = Buyer's internal product group code not used
3055	Code list responsible agency code	C an..3	N	not used
C212	Item number identification	C	C	
7140	Item identifier	C an..35	N	not used
7143	Item type identification code	C an..3	R an..3	
1131	Code list identification code	C an..17	N	UA = Ultimate customer's article number not used
3055	Code list responsible agency code	C an..3	N	not used
C212	Item number identification	C	O	
7140	Item identifier	C an..35	R an..35	VN is used when the purchase concerns equipment, indirect material and so on. The identifier is a catalog number .
7143	Item type identification code	C an..3	R an..3	
1131	Code list identification code	C an..17	N	VN = Vendor item number not used
3055	Code list responsible agency code	C an..3	N	not used
C212	Item number identification	C	O	
7140	Item identifier	C an..35	R an..35	
7143	Item type identification code	C an..3	R an..3	ZMV CC = Industry commodity code HS = Harmonised system
1131	Code list identification code	C an..17	N	not used
3055	Code list responsible agency code	C an..3	N	not used

SMSI (Swedish Multi Sector Invoice)

UN/EDIFACT Message: Segment details

UN/EDIFACT		Implementation		
Name	St Format	St Format	Use / Remarks	
code				

Comment:

Any occurrence of CDE C212 may be qualified with one of the listed codes.

Example:

PIA+1+AC4433:EF'

SMSI (Swedish Multi Sector Invoice)

UN/EDIFACT Message: Segment details

Group: SG26 Status: R Max. Occ.: 9999999 Line item section

Segment: IMD Seq. No.: 96 Level: 2 **Item description**
 Status: O Max. Occ.: 99
 Counter: 1130

Name: **Description of article or service**

Description of segment:

UN/EDIFACT			Implementation	
	Name	St Format	St Format	Use / Remarks
IMD				
7077	Description format code	C an..3	C an..3	F = Free-form not used
C272	Item characteristic	C	N	not used
7081	Item characteristic code	C an..3	C an..3	Beast: ZFS,ZAR,ZGR,ZIT 195 = Key-word
1131	Code list identification code	C an..17	N	not used
3055	Code list responsible agency code	C an..3	N	not used
C273	Item description	C	R	
7009	Item description code	C an..17	N	not used
1131	Code list identification code	C an..17	N	not used
3055	Code list responsible agency code	C an..3	N	not used
7008	Item description	C an..256	R an..256	Beast: Benämning eller nyckelord
7008	Item description	C an..256	O an..256	see 7008 # 1
3453	Language name code	C an..3	O an..3	
7383	Surface or layer code	C an..3	N	not used

Comment:

Example:

IMD++++:::left brake mount:iron'

SMSI (Swedish Multi Sector Invoice)

UN/EDIFACT Message: Segment details

Group: SG26 Status: R Max. Occ.: 9999999 Line item section

Segment: MEA Seq. No.: 97 Level: 2 **Measurements**
 Status: D Max. Occ.: 1
 Counter: 1140

Name: **Article net weight**

Description of segment:

UN/EDIFACT			Implementation	
	Name	St Format	St Format	Use / Remarks
MEA				
6311	Measurement purpose code qualifier	M an..3	M an..3	PD = Physical dimensions (product ordered)
C502	Measurement details	C	R	
6313	Measured attribute code	C an..3	R an..3	AAL = Net weight
6321	Measurement significance code	C an..3	N	not used
6155	Non-discrete measurement name code	C an..17	N	not used
6154	Non-discrete measurement name	C an..70	N	not used
C174	Value/range	C	R	
6411	Measurement unit code	M an..8	M an..8	Typically the measure unit used in other MEA segment concerning the weight shall be the same as the unit given here.
6314	Measure	C an..18	R n..18	
6162	Range minimum quantity	C n..18	N	not used
6152	Range maximum quantity	C n..18	N	not used
6432	Significant digits quantity	C n..2	N	not used
7383	Surface or layer code	C an..3	N	not used

Comment:

All article weights should be specified in the same measure unit. Each weight is transmitted in a specific occurrence of the MEA segment where data element 6411 is mandatory in composite C174. This data element should inherit the value of the measure unit common to all article weights.
 Use when available

Example:

MEA+PD+AAL+KGM:1000'

SMSI (Swedish Multi Sector Invoice)

UN/EDIFACT Message: Segment details

Group: SG26 Status: R Max. Occ.: 9999999 Line item section

Segment: QTY Seq. No.: 98 Level: 2 **Quantity**
 Status: D Max. Occ.: 1
 Counter: 1150

Name: Invoiced quantity

Description of segment:

UN/EDIFACT			Implementation	
	Name	St Format	St Format	Use / Remarks
QTY				
C186	Quantity details	M	M	
6063	Quantity type code qualifier	M an..3	M an..3	47 = Invoiced quantity
6060	Quantity	M an..35	M n..10	
6411	Measurement unit code	C an..8	D an..3	Use PCE as default

Comment:

The quantity invoiced is necessary for line items belonging to an invoice, credit or debit note. It might be omitted in the invoice response and invoice trailer message.

Example:

QTY+47:10:C62'

SMSI (Swedish Multi Sector Invoice)

UN/EDIFACT Message: Segment details

Group: SG26 Status: R Max. Occ.: 9999999 Line item section

Segment: QTY Seq. No.: 99 Level: 2 **Quantity**
 Status: O Max. Occ.: 4
 Counter: 1150

Name: Other quantities

Description of segment:

UN/EDIFACT			Implementation	
	Name	St Format	St Format	Use / Remarks
QTY				
C186	Quantity details	M	M	
6063	Quantity type code qualifier	M an..3	M an..3	Beast: 46,59, EAN 99 Periodisk,46,1 (underrad) 12 = Despatch quantity 20 = Unusable quantity 21 = Ordered quantity 48 = Received quantity 61 = Return quantity 79 = Previous cumulative quantity 113 = Quantity to be delivered 119 = Short shipped 121 = Over shipped 124 = Damaged goods 194 = Received and accepted 46 = Pieces delivered 59 = Numbers of consumer units in the traded unit 99 = Estimated quantity 1 = Discrete quantity 131 = Delivery quantity 74 = Latest cumulative quantity
6060	Quantity	M an..35	M n..10	
6411	Measurement unit code	C an..8	D an..3	Use PCE as default

Comment:

Example:

QTY+20:1:C62'

SMSI (Swedish Multi Sector Invoice)

UN/EDIFACT Message: Segment details

Group: SG26 Status: R Max. Occ.: 9999999 Line item section

Segment: ALI Seq. No.: 100 Level: 2 **Additional information**
 Status: O Max. Occ.: 1
 Counter: 1170

Name: Additional information

Description of segment:

UN/EDIFACT			Implementation	
	Name	St Format	St Format	Use / Remarks
ALI				
3239	Country of origin name code	C an..3	D a2	Country Of Origin Coded
9213	Duty regime type code	C an..3	O an..3	1 = Origin subject to EC/EFTA preference 2 = Origin subject to other preference agreement 3 = No preference origin
4183	Special condition code	C an..3	O an..3	Nature Of Transaction Coded 79E = Error in delivery Z01 = Damaged goods, Z02 = Icke Bonus, Z03 = Bonusbyggande, Z04 = Bonusgivande, Z05 = Bonusbyggande och Bonusgivande 108 = Financial compensation 140 = Return of goods 141 = Subject to annual bonus
4183	Special condition code	C an..3	N	not used
4183	Special condition code	C an..3	N	not used
4183	Special condition code	C an..3	N	not used
4183	Special condition code	C an..3	N	not used

Comment:

AIAG uses this segment for government reporting of goods and services traded internationally under the North American Free Trade Agreement.

Example:

ALI+PL++7'

SMSI (Swedish Multi Sector Invoice)

UN/EDIFACT Message: Segment details

Group: **SG26** Status: R Max. Occ.: 9999999 Line item section

Segment: **DTM** Seq. No.: 101 Level: 2 **Date/time/period**
 Status: D Max. Occ.: 2
 Counter: 1180

Name: Delivery date

Description of segment:

UN/EDIFACT		Implementation		
	Name	St Format	St Format	Use / Remarks
DTM				
C507	Date/time/period	M	M	
2005	Date or time or period function code qualifier	M an..3	M an..3	Code 2 - requested delivery date supplier to buyer in this transaction (e.g. tier 2 to tier 1) Code 191 - the delivery date the buyer has to meet towards his own customer (e.g. tier 1 to OEM) EAN 35 2 = Delivery date/time, requested 191 = Delivery date/time, expected 35 = Delivery date/time, actual
2380	Date or time or period text	C an..35	R n..14	
2379	Date or time or period format code	C an..3	R an..3	8 = CCYYMMDDS 9 = CCYYMMDDPP 102 = CCYYMMDD 203 = CCYYMMDDHHMM 204 = CCYYMMDDHHMMSS

Comment:

The delivery date requested is the date the buyer has asked the supplier for shipment. If the buyer itself is e.g. a tier 1 supplier (supplier would be tier 2), in addition another delivery date might be specified - the delivery date the tier 1 has to meet towards the OEM.

Example:

DTM+2:20061205:102'

SMSI (Swedish Multi Sector Invoice)

UN/EDIFACT Message: Segment details

Group: SG26 Status: R Max. Occ.: 9999999 Line item section

Segment: DTM Seq. No.: 102 Level: 2 **Date/time/period**
 Status: O Max. Occ.: 35
 Counter: 1180

Name: Other dates

Description of segment:

UN/EDIFACT			Implementation	
	Name	St Format	St Format	Use / Remarks
DTM				
C507	Date/time/period	M	M	
2005	Date or time or period function code qualifier	M an..3	M an..3	50 = Goods receipt date/time 97 = Transaction creation date
2380	Date or time or period text	C an..35	R an..14	
2379	Date or time or period format code	C an..3	O an..3	102 = CCYYMMDD 203 = CCYYMMDDHHMM 204 = CCYYMMDDHHMMSS

Comment:

Example:

DTM+50:20061214:102'

SMSI (Swedish Multi Sector Invoice)

UN/EDIFACT Message: Segment details

Group: SG26 Status: R Max. Occ.: 9999999 Line item section

Segment: DTM Seq. No.: 103 Level: 2 **Date/time/period**
 Status: O Max. Occ.: 1
 Counter: 1180

Name: Start date and time

Description of segment:

UN/EDIFACT			Implementation	
	Name	St Format	St Format	Use / Remarks
DTM				
C507	Date/time/period	M	M	
2005	Date or time or period function code qualifier	M an..3	M an..3	194 = Start date/time 117 = Delivery date/time, first
2380	Date or time or period text	C an..35	R an..35	
2379	Date or time or period format code	C an..3	O an..3	102 = CCYYMMDD 203 = CCYYMMDDHHMM 204 = CCYYMMDDHHMMSS

Comment:

Example:

DTM+194:20060812:102'

SMSI (Swedish Multi Sector Invoice)

UN/EDIFACT Message: Segment details

Group: **SG26** Status: R Max. Occ.: 9999999 Line item section

Segment: **DTM** Seq. No.: 104 Level: 2 **Date/time/period**
 Status: O Max. Occ.: 1
 Counter: 1180

Name: END date and time

Description of segment:

UN/EDIFACT		Implementation		
	Name	St Format	St Format	Use / Remarks
DTM				
C507	Date/time/period	M	M	
2005	Date or time or period function code qualifier	M an..3	M an..3	206 = End date/time 128 = Delivery date/time, last
2380	Date or time or period text	C an..35	R an..35	
2379	Date or time or period format code	C an..3	O an..3	102 = CCYYMMDD 203 = CCYYMMDDHHMM 204 = CCYYMMDDHHMMSS

Comment:

Example:

DTM+194:20060812:102'

SMSI (Swedish Multi Sector Invoice)

UN/EDIFACT Message: Segment details

Group: **SG26** Status: R Max. Occ.: 9999999 Line item section

Segment: **GIN** Seq. No.: 105 Level: 2 **Goods identity number**
 Status: O Max. Occ.: 1000
 Counter: 1190

Name: Goods identity number

Description of segment:

UN/EDIFACT		Implementation		
	Name	St Format	St Format	Use / Remarks
GIN				
7405	Object identification code qualifier	M an..3	M an..3	BN = Serial number VV = Vehicle identity number EE = Engine number AW = Serial shipping container code
C208	Identity number range	M	M	
7402	Object identifier	M an..35	R an..35	
7402	Object identifier	C an..35	N	not used
C208	Identity number range	C	N	not used
7402	Object identifier	M an..35	N	not used
7402	Object identifier	C an..35	N	not used
C208	Identity number range	C	N	not used
7402	Object identifier	M an..35	N	not used
7402	Object identifier	C an..35	N	not used
C208	Identity number range	C	N	not used
7402	Object identifier	M an..35	N	not used
7402	Object identifier	C an..35	N	not used
C208	Identity number range	C	N	not used
7402	Object identifier	M an..35	N	not used
7402	Object identifier	C an..35	N	not used

Comment:

Example:

GIN+BN+SN1234567890'

SMSI (Swedish Multi Sector Invoice)

UN/EDIFACT Message: Segment details

Group: **SG26** Status: R Max. Occ.: 9999999 Line item section

Segment: **GIR** Seq. No.: 106 Level: 2 **Related identification numbers**
 Status: C Max. Occ.: 1000
 Counter: 1200

Name: Related identification numbers

Description of segment:

UN/EDIFACT			Implementation	
	Name	St Format	St Format	Use / Remarks
GIR				
7297	Set type code qualifier	M an..3	M an..3	1 = Product 3 = Package 4 = Vehicle reference set
C206	Identification number	M	M	
7402	Object identifier	M an..35	M an..35	
7405	Object identification code qualifier	C an..3	C an..3	AN = Manufacturing reference number AP = Product BL = Vehicle registration number
4405	Status description code	C an..3	N	not used
C206	Identification number	C	N	not used
7402	Object identifier	M an..35	N	not used
7405	Object identification code qualifier	C an..3	N	not used
4405	Status description code	C an..3	N	not used
C206	Identification number	C	N	not used
7402	Object identifier	M an..35	N	not used
7405	Object identification code qualifier	C an..3	N	not used
4405	Status description code	C an..3	N	not used
C206	Identification number	C	N	not used
7402	Object identifier	M an..35	N	not used
7405	Object identification code qualifier	C an..3	N	not used
4405	Status description code	C an..3	N	not used
C206	Identification number	C	N	not used
7402	Object identifier	M an..35	N	not used
7405	Object identification code qualifier	C an..3	N	not used
4405	Status description code	C an..3	N	not used

Comment:

Example:

SMSI (Swedish Multi Sector Invoice)

UN/EDIFACT Message: Segment details

Group: SG26 Status: R Max. Occ.: 9999999 Line item section

Segment: FTX Seq. No.: 107 Level: 2 **Free text**
 Status: O Max. Occ.: 1
 Counter: 1230

Name: **Party instruction text**

Description of segment:

UN/EDIFACT		Implementation		
	Name	St Format	St Format	Use / Remarks
FTX				
4451	Text subject code qualifier	M an..3	M an..3	AAG = Party instructions
4453	Free text function code	C an..3	O an..3	
C107	Text reference	C	N	not used
4441	Free text description code	M an..17	N	not used
1131	Code list identification code	C an..17	N	not used
3055	Code list responsible agency code	C an..3	N	not used
C108	Text literal	C	R	
4440	Free text	M an..512	R an..256	
4440	Free text	C an..512	O an..256	see 4440 # 1
4440	Free text	C an..512	O an..256	see 4440 # 1
4440	Free text	C an..512	O an..256	see 4440 # 1
4440	Free text	C an..512	O an..256	see 4440 # 1
3453	Language name code	C an..3	O an..3	Language, coded accordng to ISO 639-1988
4447	Free text format code	C an..3	N	not used

Comment:

Example:

FTX+AAG+++Party instruction'

SMSI (Swedish Multi Sector Invoice)

UN/EDIFACT Message: Segment details

Group: **SG26** Status: R Max. Occ.: 9999999 Line item section

Segment: **FTX** Seq. No.: 108 Level: 2 **Free text**
 Status: O Max. Occ.: 1
 Counter: 1230

Name: Supplier remarks text

Description of segment:

UN/EDIFACT		Implementation		
	Name	St Format	St Format	Use / Remarks
FTX				
4451	Text subject code qualifier	M an..3	M an..3	SUR = Supplier remarks
4453	Free text function code	C an..3	O an..3	
C107	Text reference	C	N	not used
4441	Free text description code	M an..17	N	not used
1131	Code list identification code	C an..17	N	not used
3055	Code list responsible agency code	C an..3	N	not used
C108	Text literal	C	R	
4440	Free text	M an..512	R an..256	
4440	Free text	C an..512	O an..256	see 4440 # 1
4440	Free text	C an..512	O an..256	see 4440 # 1
4440	Free text	C an..512	O an..256	see 4440 # 1
4440	Free text	C an..512	O an..256	see 4440 # 1
3453	Language name code	C an..3	O an..3	Language, coded accordng to ISO 639-1988
4447	Free text format code	C an..3	N	not used

Comment:

Example:

FTX+SUR+++Supplier remarks'

SMSI (Swedish Multi Sector Invoice)

UN/EDIFACT Message: Segment details

Group: **SG26** Status: R Max. Occ.: 9999999 Line item section

Segment: **FTX** Seq. No.: 109 Level: 2 **Free text**
 Status: O Max. Occ.: 1
 Counter: 1230

Name: Product information text

Description of segment:

UN/EDIFACT		Implementation		
	Name	St Format	St Format	Use / Remarks
FTX				
4451	Text subject code qualifier	M an..3	M an..3	PRD = Product information
4453	Free text function code	C an..3	O an..3	
C107	Text reference	C	N	not used
4441	Free text description code	M an..17	N	not used
1131	Code list identification code	C an..17	N	not used
3055	Code list responsible agency code	C an..3	N	not used
C108	Text literal	C	R	
4440	Free text	M an..512	R an..256	
4440	Free text	C an..512	O an..256	see 4440 # 1
4440	Free text	C an..512	O an..256	see 4440 # 1
4440	Free text	C an..512	O an..256	see 4440 # 1
4440	Free text	C an..512	O an..256	see 4440 # 1
3453	Language name code	C an..3	O an..3	Language, coded accordng to ISO 639-1988
4447	Free text format code	C an..3	N	not used

Comment:

Example:

FTX+PRD+++Product information text'

SMSI (Swedish Multi Sector Invoice)

UN/EDIFACT Message: Segment details

Group: **SG26** Status: R Max. Occ.: 9999999 Line item section

Segment: **FTX** Seq. No.: 110 Level: 2 **Free text**
 Status: O Max. Occ.: 1
 Counter: 1230

Name: General information text

Description of segment:

UN/EDIFACT		Implementation		
	Name	St Format	St Format	Use / Remarks
FTX				
4451	Text subject code qualifier	M an..3	M an..3	AAI = General information
4453	Free text function code	C an..3	O an..3	
C107	Text reference	C	N	not used
4441	Free text description code	M an..17	N	not used
1131	Code list identification code	C an..17	N	not used
3055	Code list responsible agency code	C an..3	N	not used
C108	Text literal	C	R	
4440	Free text	M an..512	R an..256	
4440	Free text	C an..512	O an..256	see 4440 # 1
4440	Free text	C an..512	O an..256	see 4440 # 1
4440	Free text	C an..512	O an..256	see 4440 # 1
4440	Free text	C an..512	O an..256	see 4440 # 1
3453	Language name code	C an..3	O an..3	Language, coded accordng to ISO 639-1988
4447	Free text format code	C an..3	N	not used

Comment:

Example:

FTX+AAI+++General information text'

SMSI (Swedish Multi Sector Invoice)

UN/EDIFACT Message: Segment details

Group: SG26 Status: R Max. Occ.: 9999999 Line item section

Segment: FTX Seq. No.: 111 Level: 2 **Free text**
 Status: O Max. Occ.: 1
 Counter: 1230

Name: **Regulatory information text**

Description of segment:

UN/EDIFACT		Implementation		
	Name	St Format	St Format	Use / Remarks
FTX				
4451	Text subject code qualifier	M an..3	M an..3	REG = Regulatory information
4453	Free text function code	C an..3	O an..3	
C107	Text reference	C	R	
4441	Free text description code	M an..17	M an..17	Use this code to describe VAT exempt.(SFTI)
1131	Code list identification code	C an..17	N	not used
3055	Code list responsible agency code	C an..3	N	not used
C108	Text literal	C	R	
4440	Free text	M an..512	R an..256	
4440	Free text	C an..512	O an..256	see 4440 # 1
4440	Free text	C an..512	O an..256	see 4440 # 1
4440	Free text	C an..512	O an..256	see 4440 # 1
4440	Free text	C an..512	O an..256	see 4440 # 1
3453	Language name code	C an..3	O an..3	Language, coded accordng to ISO 639-1988
4447	Free text format code	C an..3	N	not used

Comment:

Example:

FTX+REG+++Regulatory information text'

SMSI (Swedish Multi Sector Invoice)

UN/EDIFACT Message: Segment details

Group: SG26 Status: R Max. Occ.: 9999999 Line item section

Segment: FTX Seq. No.: 112 Level: 2 **Free text**
 Status: O Max. Occ.: 1
 Counter: 1230

Name: **Link to supplier URL**

Description of segment:

UN/EDIFACT		Implementation		
	Name	St Format	St Format	Use / Remarks
FTX				
4451	Text subject code qualifier	M an..3	M an..3	ZUR = Link to suppliers Portal.(URL) SUR = Supplier remarks
4453	Free text function code	C an..3	O an..3	
C107	Text reference	C	N	not used
4441	Free text description code	M an..17	N	not used
1131	Code list identification code	C an..17	N	not used
3055	Code list responsible agency code	C an..3	N	not used
C108	Text literal	C	R	
4440	Free text	M an..512	M an..256	
4440	Free text	C an..512	O an..256	see 4440 # 1
4440	Free text	C an..512	O an..256	see 4440 # 1
4440	Free text	C an..512	O an..256	see 4440 # 1
4440	Free text	C an..512	O an..256	see 4440 # 1
3453	Language name code	C an..3	O an..3	
4447	Free text format code	C an..3	N	not used

Comment:

SFTI ny kod ZUR, = länk till URL

Example:

FTX+ZUR+++URL-Länk+en '

SMSI (Swedish Multi Sector Invoice)

UN/EDIFACT Message: Segment details

Group: **SG27** Status: O Max. Occ.: 1 Line item net amount

Segment: **MOA** Seq. No.: 113 Level: 2 **Monetary amount**
 Status: M Max. Occ.: 1
 Counter: 1260

Name: **Line item net amount in invoice currency**

Description of segment:

UN/EDIFACT			Implementation	
	Name	St Format	St Format	Use / Remarks
MOA				
C516	Monetary amount	M	M	
5025	Monetary amount type code qualifier	M an..3	M an..3	203 = Line item amount
5004	Monetary amount	C n..35	R n..15	
6345	Currency identification code	C an..3	O an..3	For currency, one may also refer to CUX segment (invoice currency)
6343	Currency type code qualifier	C an..3	N	not used
4405	Status description code	C an..3	N	not used

Comment:

The line item amount is the total related to this line item. It includes rebates and additions but excludes payment discount and VAT.

Example:

MOA+203:1100'

SMSI (Swedish Multi Sector Invoice)

UN/EDIFACT Message: Segment details

Group: SG29 Status: O Max. Occ.: 1 Calculation net price

Segment: PRI Seq. No.: 115 Level: 2 **Price details**
 Status: M Max. Occ.: 1
 Counter: 1340

Name: **Price details**

Description of segment:

UN/EDIFACT			Implementation	
	Name	St Format	St Format	Use / Remarks
PRI				
C509	Price information	C	R	
5125	Price code qualifier	M an..3	M an..3	The price stated is the net price including allowances/charges. Allowances/charges may be stated for information only. EAN Period AAA AAA = Calculation net
5118	Price amount	C n..15	R n..15	
5375	Price type code	C an..3	C an..3	EAN Periodisk CT CA = Catalogue CT = Contract
5387	Price specification code	C an..3	O an..3	The contract price is assumed to be the default net price. If no contract price is available or by other reasons an old price has to be stated, the above listed codes can be used for that purpose. NC = utan debitering EAN Periodisk Fast AAA-CT-TOMT,Rörligt AAA-CT-CP Enkel Uttöver avtal Rabatterat listpris=AAA-CA-DPR Rabatterat rörligt aktuellt pris= AAA-CA-CP AAL = Old price CON = Contract price NQT = No quote PPR = Provisional price PRP = Promotional price ABL = Base price CP = Current price DPR = Discount price
5284	Unit price basis quantity	C n..9	O n..9	
6411	Measurement unit code	C an..8	O an..3	
5213	Sub-line item price change operation code	C an..3	N	not used

Comment:

Price including allowances and charges (ALC), this represents the net price applicable to the line, it does also include any allowances/charges (ALCs) that may be applicable to the line and which are deductible from the gross price.

Example:

PRI+AAA:50::CON:100:C62'

SMSI (Swedish Multi Sector Invoice)

UN/EDIFACT Message: Segment details

Group: SG29 Status: O Max. Occ.: 1 Calculation gross price

Segment: PRI Seq. No.: 116 Level: 2 **Price details**
 Status: M Max. Occ.: 1
 Counter: 1340

Name: **Price details**

Description of segment:

UN/EDIFACT			Implementation	
	Name	St Format	St Format	Use / Remarks
PRI				
C509	Price information	C	R	
5125	Price code qualifier	M an..3	M an..3	AAB = Calculation gross
5118	Price amount	C n..15	R n..15	
5375	Price type code	C an..3	O an..3	CA = Catalogue CT = Contract
5387	Price specification code	C an..3	O an..3	AAL = Old price CON = Contract price NQT = No quote PPR = Provisional price ABL = Base price PRP = Promotional price
5284	Unit price basis quantity	C n..9	O n..9	
6411	Measurement unit code	C an..8	O an..8	
5213	Sub-line item price change operation code	C an..3	N	not used

Comment:

Price without allowances and charges), this represents the gross price applicable to the line, but does not include any allowances/charges that may be applicable to the line and which are deductible from the gross price.

Example:

PRI+AAB:100::CON:100:C62'

SMSI (Swedish Multi Sector Invoice)

UN/EDIFACT Message: Segment details

Group: SG30 Status: O Max. Occ.: 10 References to messages

Segment: RFF Seq. No.: 117 Level: 2 **Reference**
 Status: M Max. Occ.: 1
 Counter: 1400

Name: **Reference message number**

Description of segment:

UN/EDIFACT		Implementation		
	Name	St Format	St Format	Use / Remarks
RFF				
C506	Reference	M	M	
1153	Reference code qualifier	M an..3	R an..3	ZIV = Suppliers original invoice number for supplier chain financing ZSU = Invoice number from supplier for supplier chain financing AAU is the number of delivery tag which is issued when supplier ships parts to OEM DQ is the number of receiving slip which is issued when OEM receives parts. EAN Per MG,SE,Z01 masknummer, Förarnummer,= Z02 AAK = Despatch advice number ACW = Reference number to previous message BO = Blanket order number CKN = Checking number ON = Buyers order number AAJ = Delivery order number CN = Carrier's reference number AAN = Delivery schedule number AAP = Part consignment number AAU = Despatch note number AIV = Event reference number AJK = Special instructions number ALO = Receiving advice number ALQ = Returns notice number CR = Customer reference number DQ = Delivery note number PS = Purchase order number suffix ADE = Account number AMK = Replaced meter unit number AE = Authorization for expense (AFE) number EX = Export licence number IP = Import licence number AEH = Applicable instructions or standards AEP = Project number AER = Project specification number CD = Credit note number COF = Call off order number CT = Contract number IV = Invoice number LI = Line item reference number VN = Order number (vendor) PL = Price list number MG = Meter unit number PD = Promotion deal number AAS = Transport document number ADT = Group accounting AOU = Cost account CU = Consignor's reference number SE = Serial number

SMSI (Swedish Multi Sector Invoice)

UN/EDIFACT Message: Segment details

UN/EDIFACT			Implementation	
	Name	St Format	St Format	Use / Remarks
1154	Reference identifier	C an..70	R an..70	AAG = Offer number POR = Purchase order response number
1156	Document line identifier	C an..6	O n..6	
4000	Reference version identifier	C an..35	N	not used
1060	Revision identifier	C an..6	N	not used

Comment:

Example:

RFF+AAK:333444:10'

SMSI (Swedish Multi Sector Invoice)

UN/EDIFACT Message: Segment details

Group: **SG34** Status: O Max. Occ.: 5 VAT or other tax rate and amount for line item

This segment group is required when VAT is calculated at the line item level. Tax identification is required at the line item level as different goods and services can be taxed at different rates. That concerns VAT as well as different intrastate or interstate tax rates in the US. If only one tax rate applies to all line items, this segment group can be omitted.

Segment: **TAX** Seq. No.: 119 Level: 2 **Duty/tax/fee details**
 Status: M Max. Occ.: 1
 Counter: 1560

Name: VAT or other tax rate line item

Description of segment:

UN/EDIFACT			Implementation	
	Name	St Format	St Format	Use / Remarks
TAX				
5283	Duty or tax or fee function code qualifier	M an..3	M an..3	
				7 = Tax
C241	Duty/tax/fee type	C	R	
5153	Duty or tax or fee type name code	C an..3	O an..3	Code OTH shall be used when the tax in question is not VAT. AAG = Harmonised sales tax, Canadian AAH = Quebec sales tax AAI = Canadian provincial sales tax BOL = Stamp duty (Imposta di Bollo) GST = Goods and services tax LOC = Local sales tax OTH = Other taxes VAT = Value added tax SCN = Special construction tax ENV = Environmental tax
1131	Code list identification code	C an..17	N	not used
3055	Code list responsible agency code	C an..3	N	not used
5152	Duty or tax or fee type name	C an..35	N	not used
C533	Duty/tax/fee account detail	C	N	not used
5289	Duty or tax or fee account code	M an..6	N	not used
1131	Code list identification code	C an..17	N	not used
3055	Code list responsible agency code	C an..3	N	not used
5286	Duty or tax or fee assessment basis quantity	C an..15	N	not used
C243	Duty/tax/fee detail	C	O	
5279	Duty or tax or fee rate code	C an..7	N	not used
1131	Code list identification code	C an..17	N	not used
3055	Code list responsible agency code	C an..3	N	not used
5278	Duty or tax or fee rate	C an..17	R n..7	The tax rate (numeric) should be presented as follows: 19.5% ==> :19.5
5273	Duty or tax or fee rate basis code	C an..12	N	not used
1131	Code list identification code	C an..17	N	not used

SMSI (Swedish Multi Sector Invoice)

UN/EDIFACT Message: Segment details

UN/EDIFACT			Implementation	
	Name	St Format	St Format	Use / Remarks
3055	Code list responsible agency code	C an..3	N	not used
5305	Duty or tax or fee category code	C an..3	O an..3	<p>The use of any valid EDIFACT code is permitted, the trading partners may limit the codes in accordance with business and legal requirements.</p> <p>(1) Codes created to comply with the European invoicing directive. These codes are not yet part of the official EDIFACT code list. In Europe it is recommended or may be even required to use these more specific codes instead of code E .</p> <p>Recommendation: Code E has to be used together in combination with Free text qualifier ABL.</p> <p>E = Exempt from tax O = Services outside scope of tax S = Standard rate Z = Zero rated goods</p> <p>AAA = Exempt - Article 15 of Directive 77/388/EC (1) AAB = Exempt - Article 16 of Directive 77/388/EC (1) AAC = Exempt - Article 28c(A) of Directive 77/388/EC (1) AAE = Exempt - Article 28b(C) (D) (E) (F) of Directive 77/388/EC (1) AAF = Exempt - Article 26b(B) of Directive 77/388/EC (1) AAG = Exempt - Article 13 of Directive 77/388/EC (1) AAH = Margin Scheme - Article 26a of Directive 77/388/EC (1) AAI = Margin - Article 26 of Directive 77/388/EC (1) AAJ = Reverse Charge - Article 26b(F) of Directive 77/388/EC (1) AAK = Reverse Charge - Article 21 1.a of Directive 77/388/EC (1) AAL = Reverse Charge - 2nd subparagraph of Article 16(1) of Directive 77/388/EC (1) AAM = New Means of Transport - Article 28a(2) of Directive 77/388/EC (1) AAN = Exempt - Article 28c(E)(3) of Directive 77/388/EC Triangulation (1) AAO = Reverse Charge - Article 9.2.e of Directive 77/388/EC (1)</p>
3446	Party tax identifier	C an..20	N	not used
1227	Calculation sequence code	C an..3	N	not used

Comment:

When sending a message with data element 5278 in the TAX segment, the value added tax rate (numeric) should be presented in an alpha-numeric field as follows: 19,5% ==> :19.5

Example:

TAX+7+VAT+++:::16+S'

SMSI (Swedish Multi Sector Invoice)

UN/EDIFACT Message: Segment details

Group: **SG34** Status: O Max. Occ.: 5 VAT or other tax rate and amount for line item

This segment group is required when VAT is calculated at the line item level. Tax identification is required at the line item level as different goods and services can be taxed at different rates. That concerns VAT as well as different intrastate or interstate tax rates in the US. If only one tax rate applies to all line items, this segment group can be omitted.

Segment: **MOA** Seq. No.: 120 Level: 3 **Monetary amount**
 Status: O Max. Occ.: 1
 Counter: 1570

Name: VAT or other tax amount line item

Description of segment:

UN/EDIFACT			Implementation	
	Name	St Format	St Format	Use / Remarks
MOA				
C516	Monetary amount	M	M	
5025	Monetary amount type code qualifier	M an..3	M an..3	
				124 = Tax amount
				125 = Taxable amount
5004	Monetary amount	C n..35	R n..15	Tax Amount
6345	Currency identification code	C an..3	O an..3	
6343	Currency type code qualifier	C an..3	N	not used
4405	Status description code	C an..3	N	not used

Comment:

Beast: 125, 176

Example:

MOA+124:160'

SMSI (Swedish Multi Sector Invoice)

UN/EDIFACT Message: Segment details

Group: **SG35** Status: O Max. Occ.: 1 Ship-to party

Segment: **NAD** Seq. No.: 121 Level: 2 **Name and address**
 Status: M Max. Occ.: 1
 Counter: 1600

Name: Ship-to

Description of segment:

UN/EDIFACT		Implementation		
	Name	St Format	St Format	Use / Remarks
NAD				
3035	Party function code qualifier	M an..3	M an..3	DP, CN is a synonym to ST ST = Ship to
C082	Party identification details	C	O	In most cases it will be sufficient to use C082 for identification of ship-to party. If not, either C058 (unstructured address) or C080 and following data elements should be used (structured address). The preferred version is the structured address.
3039	Party identifier	M an..35	M an..35	
1131	Code list identification code	C an..17	N	not used
3055	Code list responsible agency code	C an..3	R an..3	
				5 = ISO (International Organization for Standardization) 9 = EAN International (GS1) 10 = ODETTE 16 = US, D&B (Dun & Bradstreet Corporation) 91 = Assigned by seller or seller's agent 92 = Assigned by buyer or buyer's agent 167 = US, AIAG (Automotive Industry Action Group) 289 = JP, JIPDEC/ECPC (Japan Information Processing Development Center / Electronic Commerce Promotion Center)
C058	Name and address	C	O	For usage see comment on C082.
3124	Name and address description	M an..35	M an..35	
3124	Name and address description	C an..35	O an..35	see 3124 # 1
3124	Name and address description	C an..35	O an..35	see 3124 # 1
3124	Name and address description	C an..35	O an..35	see 3124 # 1
3124	Name and address description	C an..35	O an..35	see 3124 # 1
C080	Party name	C	O	For usage see comment on C082.
3036	Party name	M an..35	M an..35	
3036	Party name	C an..35	O an..35	see 3036 # 1
3036	Party name	C an..35	N	not used
3036	Party name	C an..35	N	not used
3036	Party name	C an..35	N	not used
3045	Party name format code	C an..3	N	not used
C059	Street	C	O	For usage see comment on C082.
3042	Street and number or post office box identifier	M an..35	M an..35	
3042	Street and number or post office	C an..35	O an..35	see 3042 # 1

SMSI (Swedish Multi Sector Invoice)

UN/EDIFACT Message: Segment details

UN/EDIFACT			Implementation	
	Name	St Format	St Format	Use / Remarks
	box identifier			
3042	Street and number or post office box identifier	C an..35	N	not used
3042	Street and number or post office box identifier	C an..35	N	not used
3164	City name	C an..35	O an..35	For usage see comment on C082.
C819	Country sub-entity details	C	O	For usage see comment on C082.
3229	Country sub-entity name code	C an..9	R an..9	
1131	Code list identification code	C an..17	N	not used
3055	Code list responsible agency code	C an..3	N	not used
3228	Country sub-entity name	C an..70	N	not used
3251	Postal identification code	C an..17	O an..17	For usage see comment on C082.
3207	Country name code	C an..3	O a2	For usage see comment on C082.

Comment:

Example:

NAD+ST++Ship-to name+Industry park+Newcastle++ABC 134+UK'

SMSI (Swedish Multi Sector Invoice)

UN/EDIFACT Message: Segment details

Group: SG38 Status: O Max. Occ.: 4 Ship-to's contact

Segment: COM Seq. No.: 126 Level: 4 **Communication contact**
 Status: O Max. Occ.: 5
 Counter: 1710

Name: **Communication contact**

Description of segment:

UN/EDIFACT			Implementation	
	Name	St Format	St Format	Use / Remarks
COM				
C076	Communication contact	M	M	
3148	Communication address identifier	M an..512	M an..100	
3155	Communication address code qualifier	M an..3	M an..3	
				TE = Telephone FX = Telefax EX = Extension EM = Electronic mail AL = Cellular phone

Comment:

A maximum of 5 out of the 7 possible communication numbers attached to the contact may be transmitted.

Example:

COM+030 4988 1355:FX'

SMSI (Swedish Multi Sector Invoice)

UN/EDIFACT Message: Segment details

Group: **SG35** Status: O Max. Occ.: 1 Ship-from party

Segment: **NAD** Seq. No.: 127 Level: 2 **Name and address**
 Status: M Max. Occ.: 1
 Counter: 1600

Name: Ship-fom

Description of segment:

UN/EDIFACT		Implementation		
	Name	St Format	St Format	Use / Remarks
NAD				
3035	Party function code qualifier	M an..3	M an..3	SF = Ship from
C082	Party identification details	C	C	
3039	Party identifier	M an..35	O an..35	
1131	Code list identification code	C an..17	N	not used
3055	Code list responsible agency code	C an..3	R an..3	
C058	Name and address	C	C	
3124	Name and address description	M an..35	M an..35	
3124	Name and address description	C an..35	O an..35	see 3124 # 1
3124	Name and address description	C an..35	O an..35	see 3124 # 1
3124	Name and address description	C an..35	O an..35	see 3124 # 1
3124	Name and address description	C an..35	O an..35	see 3124 # 1
C080	Party name	C	C	
3036	Party name	M an..35	M an..35	
3036	Party name	C an..35	O an..35	see 3036 # 1
3036	Party name	C an..35	N	not used
3036	Party name	C an..35	N	not used
3036	Party name	C an..35	N	not used
3045	Party name format code	C an..3	N	not used
C059	Street	C	C	
3042	Street and number or post office box identifier	M an..35	M an..35	
3042	Street and number or post office box identifier	C an..35	O an..35	see 3042 # 1
3042	Street and number or post office box identifier	C an..35	N	not used
3042	Street and number or post office box identifier	C an..35	N	not used
3164	City name	C an..35	C an..35	
C819	Country sub-entity details	C	O	
3229	Country sub-entity name code	C an..9	R an..9	
1131	Code list identification code	C an..17	N	not used
3055	Code list responsible agency code	C an..3	N	not used
3228	Country sub-entity name	C an..70	N	not used

SMSI (Swedish Multi Sector Invoice)

UN/EDIFACT Message: Segment details

UN/EDIFACT		Implementation		
	Name	St Format	St Format	Use / Remarks
3251	Postal identification code	C an..17	O an..17	
3207	Country name code	C an..3	O an..3	

Comment:

Example:

NAD+SF+++Ship From name+Ship From street / number+City+SE-O+10369+SE'

SMSI (Swedish Multi Sector Invoice)

UN/EDIFACT Message: Segment details

Group: **SG39** Status: O Max. Occ.: 10 Allowances or charges

Segment: **ALC** Seq. No.: 129 Level: 2 **Allowance or charge**
 Status: M Max. Occ.: 1
 Counter: 1730

Name: Allowance/charge

Description of segment:

UN/EDIFACT		Implementation		
	Name	St Format	St Format	Use / Remarks
ALC				
5463	Allowance or charge code qualifier	M an..3	R an..3	Allowance/Charge Qualifier A = Allowance C = Charge not used
C552	Allowance/charge information	C	N	
1230	Allowance or charge identifier	C an..35	O an..35	Rebategroup. Business process description is missing
5189	Allowance or charge identification code	C an..3	C an..3	
4471	Settlement means code	C an..3	N	not used
1227	Calculation sequence code	C an..3	D an..3	1 = First step of calculation 2 = Second step of calculation 3 = Third step of calculation 4 = Fourth step of calculation
C214	Special services identification	C	R	
7161	Special service description code	C an..3	R an..3	Beast: ,ZDG, PDE 60E = Long term rebate (GS1) AAK = Energy surcharge ABG = Tooling charge ABK = Miscellaneous ABM = Scrap surcharge ABO = Air freight transportation ABP = Carriage charge ABQ = Tonnage rebate ABR = Containerisation ABS = Carton packing ABT = Hessian wrapped ABU = Polyethylene wrap packing ABV = Miscellaneous customs charge ABW = Customs duty charge ABY = Tooling amortisation ABZ = Miscellaneous rebate or discount ACA = Allowance ACB = Future discount off retail ACC = Miscellaneous setting costs (tooling) ACD = Minimum amount costs for quantity based surcharges ACE = Below schedule quantity after quantity-based surcharge ACF = Miscellaneous treatment ACG = Enamelling treatment ACH = Heat treatment ACI = Plating treatment ACJ = Painting ACK = Polishing ACL = Priming

SMSI (Swedish Multi Sector Invoice)

UN/EDIFACT Message: Segment details

UN/EDIFACT		Implementation		
Name	St Format	St Format	Use / Remarks	
			ACM = Preservation treatment ACN = Miscellaneous other surcharges ACO = Alloy surcharge ACP = Coke surcharge ACQ = Royalty surcharge ACR = Wheel handling charge ACS = Fitting ACT = Non-standard surcharge ACU = Standard surcharge ACV = Wheel surcharge ACW = Washer surcharge AED = Handling of hazardous cargo AEV = Environmental protection service CAA = Cancellation charge DAB = Layout/design DL = Delivery FAC = Freight extraordinary handling FC = Freight service FI = Financing HD = Handling IAA = Installation IN = Insurance LAA = Labour MC = Material surcharge (special materials) NAA = Non-returnable containers PAA = Phosphatizing (steel treatment) PAE = Promotional discount PC = Packing PL = Palletizing QAA = Quantity surcharge QD = Quantity discount RAD = Returnable container RF = Refurbishing SZ = Steel surcharge TX = Tax WH = Warehousing CL = Contract allowance PAE = Promotional discount ACK = Polishing DI = Discount	
1131	Code list identification code	C an..17	N	not used
3055	Code list responsible agency code	C an..3	O an..3	It is recommended to use code 272 for codes, not included in the UN/EDIFACT standard code list. Regional code lists are scheduled to be united in a common code list of the joint automotive industry. 6 = UN/ECE (United Nations - Economic Commission for Europe) 10 = ODETTE 272 = Joint Automotive Industry agency
7160	Special service description	C an..35	N	not used
7160	Special service description	C an..35	C an..35	

Comment:

Example:

ALC+A++++ABK'

SMSI (Swedish Multi Sector Invoice)

UN/EDIFACT Message: Segment details

Group: **SG41** Status: D Max. Occ.: 1 Allowance/charge - percentage
 Either SG41 (percentage) or SG42 (monetary amount) has to be sent.

Segment: **PCD** Seq. No.: 130 Level: 3 **Percentage details**
 Status: M Max. Occ.: 1
 Counter: 1810

Name: Allowance/charge Percentage

Description of segment:

UN/EDIFACT			Implementation	
	Name	St Format	St Format	Use / Remarks
PCD				
C501	Percentage details	M	M	
5245	Percentage type code qualifier	M an..3	M an..3	Beast: 1,2,12 3 = Allowance or charge 1 = Allowance 2 = Charge 12 = Discount
5482	Percentage	C n..10	R n..10	
5249	Percentage basis identification code	C an..3	N	not used
1131	Code list identification code	C an..17	N	not used
3055	Code list responsible agency code	C an..3	N	not used
4405	Status description code	C an..3	N	not used

Comment:

Example:

PCD+3:2.0'

SMSI (Swedish Multi Sector Invoice)

UN/EDIFACT Message: Segment details

Group: **SG42** Status: D Max. Occ.: 2 Allowance/charge - monetary amount
 Either SG41 (percentage) or SG42 (monetary amount) has to be sent.

Segment: **MOA** Seq. No.: 131 Level: 3 **Monetary amount**
 Status: M Max. Occ.: 1
 Counter: 1840

Name: Allowance/charge - monetary amount

Description of segment:

UN/EDIFACT		Implementation		
	Name	St Format	St Format	Use / Remarks
MOA				
C516	Monetary amount	M	M	
5025	Monetary amount type code qualifier	M an..3	M an..3	Beast: 204 8 = Allowance or charge amount 204 = Allowance amount
5004	Monetary amount	C n..35	R n..15	
6345	Currency identification code	C an..3	O an..3	
6343	Currency type code qualifier	C an..3	N	not used
4405	Status description code	C an..3	N	not used

Comment:

Example:

MOA+8:100'

SMSI (Swedish Multi Sector Invoice)

UN/EDIFACT Message: Segment details

Group: SG43 Status: O Max. Occ.: 1 Allowance / charge rate per unit

Segment: RTE Seq. No.: 132 Level: 3 **Rate details**
 Status: M Max. Occ.: 1
 Counter: 1890

Name: **Rate details**

Description of segment:

UN/EDIFACT			Implementation	
	Name	St Format	St Format	Use / Remarks
RTE				
C128	Rate details	M	M	
5419	Rate type code qualifier	M an..3	M an..3	1 = Allowance rate 2 = Charge rate
5420	Unit price basis rate	M n..15	M n..15	
5284	Unit price basis quantity	C n..9	N	not used
6411	Measurement unit code	C an..8	N	not used
4405	Status description code	C an..3	N	not used

Comment:

Example:

RTE+1:10.00'

SMSI (Swedish Multi Sector Invoice)

UN/EDIFACT Message: Segment details

Group: **SG44** Status: O Max. Occ.: 1 Allowance/charge - applicable VAT rate and amount

Beast: Se VAT,TAX på LIN

Segment: **TAX** Seq. No.: 133 Level: 3 **Duty/tax/fee details**
 Status: M Max. Occ.: 1
 Counter: 1920

Name: Allowance/charge - applicable VAT rate

Description of segment:

UN/EDIFACT		Implementation		
Name	St Format	St Format	Use / Remarks	
TAX				
5283	Duty or tax or fee function code qualifier	M an..3	R an..3	
				7 = Tax
C241	Duty/tax/fee type	C	C	
5153	Duty or tax or fee type name code	C an..3	O an..3	
				AAG = Harmonised sales tax, Canadian AAH = Quebec sales tax AAI = Canadian provincial sales tax BOL = Stamp duty (Imposta di Bollo) GST = Goods and services tax LOC = Local sales tax OTH = Other taxes STT = State/provincial sales tax VAT = Value added tax ENV = Environmental tax SCN = Special construction tax EXC = Excise duty
1131	Code list identification code	C an..17	N	not used
3055	Code list responsible agency code	C an..3	N	not used
5152	Duty or tax or fee type name	C an..35	N	not used
C533	Duty/tax/fee account detail	C	N	not used
5289	Duty or tax or fee account code	M an..6	N	not used
1131	Code list identification code	C an..17	N	not used
3055	Code list responsible agency code	C an..3	N	not used
5286	Duty or tax or fee assessment basis quantity	C an..15	N	not used
C243	Duty/tax/fee detail	C	R	
5279	Duty or tax or fee rate code	C an..7	N	not used
1131	Code list identification code	C an..17	N	not used
3055	Code list responsible agency code	C an..3	N	not used
5278	Duty or tax or fee rate	C an..17	R n..7	
5273	Duty or tax or fee rate basis code	C an..12	N	not used
1131	Code list identification code	C an..17	N	not used
3055	Code list responsible agency code	C an..3	N	not used
Beast: B,L,R,M,H,T,U,Z				

SMSI (Swedish Multi Sector Invoice)

UN/EDIFACT Message: Segment details

UN/EDIFACT			Implementation	
	Name	St Format	St Format	Use / Remarks
5305	Duty or tax or fee category code	C an..3	O an..3	<p>The use of any valid EDIFACT code is permitted, the trading partners may limit the codes in accordance with business and legal requirements.</p> <p>(1) Codes to comply with the EU invoicing directive - not yet standard codes</p> <p>Category codes (assigned by national organ)</p> <p>Recommendation:</p> <p>Z = Zero rated goods</p> <p>E = Exempt from tax</p> <p>H = Higher rate</p> <p>AAA = Exempt - Article 15 of Directive 77/388/EC (1)</p> <p>AAB = Exempt - Article 16 of Directive 77/388/EC (1)</p> <p>AAC = Exempt - Article 28c(A) of Directive 77/388/EC (1)</p> <p>AAE = Exempt - Article 28b(C) (D) (E) (F) of Directive 77/388/EC (1)</p> <p>AAF = Exempt - Article 26b(B) of Directive 77/388/EC (1)</p> <p>AAG = Exempt - Article 13 of Directive 77/388/EC (1)</p> <p>AAH = Margin Scheme - Article 26a of Directive 77/388/EC (1)</p> <p>AAI = Margin - Article 26 of Directive 77/388/EC (1)</p> <p>AAJ = Reverse Charge - Article 26b(F) of Directive 77/388/EC (1)</p> <p>AAK = Reverse Charge - Article 21 1.a of Directive 77/388/EC (1)</p> <p>AAL = Reverse Charge - 2nd subparagraph of Article 16(1) of Directive 77/388/EC (1)</p> <p>AAN = Exempt - Article 28c(E)(3) of Directive 77/388/EC Triangulation (1)</p> <p>AAO = Reverse Charge - Article 9.2.e of Directive 77/388/EC (1)</p> <p>AAM = New Means of Transport - Article 28a(2) of Directive 77/388/EC (1)</p>
3446	Party tax identifier	C an..20	N	not used
1227	Calculation sequence code	C an..3	N	not used

Comment:

Example:

TAX+7+VAT+++:::16+S'

SMSI (Swedish Multi Sector Invoice)

UN/EDIFACT Message: Segment details

Group: **SG44** Status: O Max. Occ.: 1 Allowance/charge - applicable VAT rate and amount
 Beast: Se VAT,TAX på LIN

Segment: **MOA** Seq. No.: 134 Level: 4 **Monetary amount**
 Status: O Max. Occ.: 1
 Counter: 1930

Name: Allowance/charge - applicable VAT amount

Description of segment:

UN/EDIFACT		Implementation		
	Name	St Format	St Format	Use / Remarks
MOA				
C516	Monetary amount	M	M	
5025	Monetary amount type code qualifier	M an..3	M an..3	
				124 = Tax amount
				125 = Taxable amount
5004	Monetary amount	C n..35	R n..15	
6345	Currency identification code	C an..3	O an..3	
6343	Currency type code qualifier	C an..3	N	not used
4405	Status description code	C an..3	N	not used

Comment:

Example:

MOA+124:16'

SMSI (Swedish Multi Sector Invoice)

UN/EDIFACT Message: Segment details

Group: **SG45** Status: O Max. Occ.: 10 Transport details

Segment: **TDT** Seq. No.: 135 Level: 2 **Transport information**
 Status: M Max. Occ.: 1
 Counter: 1950

Name: Transport information

Description of segment:

UN/EDIFACT		Implementation		
	Name	St Format	St Format	Use / Remarks
TDT				
8051	Transport stage code qualifier	M an..3	M an..3	12 = At departure 25 = Delivery carrier all transport 1 = Inland transport 13 = At destination 20 = Main-carriage transport
8028	Means of transport journey identifier	C an..17	O an..17	Conveyance Reference Number Unique reference given by the carrier to a certain journey or departure of a means of transport (generic term).
C220	Mode of transport	C	O	
8067	Transport mode name code	C an..3	R an..3	(1) Odett code - code list ODDC003 10 = Maritime transport 12 = A railway wagon on a vessel at sea 20 = Rail transport 23 = Trailers or road vehicles being transported by rail 30 = Road transport 40 = Air transport 50 = Mail 60 = Multimodal transport 70 = Fixed transport installations 80 = Inland water transport 90 = Mode unknown AC = (1) AF = (1) BU = (1) C = (1) CE = (1) D = (1) E = (1) GG = (1) GR = (1) GS = (1) H = (1) LT = (1) R = (1) RC = (1) T = (1) U = (1) 16 = (1) 17 = (1) 18 = (1) 21 = (1) 22 = (1) 24 = (1)
8066	Transport mode name	C an..17	N	not used

SMSI (Swedish Multi Sector Invoice)

UN/EDIFACT Message: Segment details

UN/EDIFACT			Implementation	
	Name	St Format	St Format	Use / Remarks
C001	Transport means	C	N	not used
8179	Transport means description code	C an..8	D an..8	Beast: Används
1131	Code list identification code	C an..17	N	not used
3055	Code list responsible agency code	C an..3	N	not used
8178	Transport means description	C an..17	N	not used
C040	Carrier	C	O	
3127	Carrier identifier	C an..17	R an..17	Identification of party undertaking or arranging transport of goods between named points. May be used to convey a routing code at line item level.
1131	Code list identification code	C an..17	N	not used
3055	Code list responsible agency code	C an..3	O an..3	
				92 = Assigned by buyer or buyer's agent 182 = US, Standard Carrier Alpha Code (Motor)
3128	Carrier name	C an..35	O an..35	
8101	Transit direction indicator code	C an..3	N	not used
C401	Excess transportation information	C	O	To provide details of reason for, and responsibility for, use of transportation other than normally utilized.
8457	Excess transportation reason code	M an..3	M an..3	A = Special rail car order, schedule increase B = Engineering change or late release C = Specification (schedule) error/overbuilding D = Shipment tracing delay E = Plant inventory loss F = Building ahead of schedule G = Vendor behind schedule H = Failed to include in last shipment I = Carrier loss claim J = Transportation failure K = Insufficient weight for carload L = Reject or discrepancy (material rejected in prior shipment) M = Transportation delay N = Lack of railcar or railroad equipment P = Releasing error R = Record error or cate reported discrepancy report T = Common or peculiar part schedule increase U = Alternative supplier shipping for responsible supplier V = Direct schedule or locally controlled W = Purchasing waiver approval X = Authorization code to be determined Y = Pilot material
8459	Excess transportation responsibility code	M an..3	M an..3	B = Material release issuer S = Supplier authority X = Responsibility to be determined A = Customer plant (receiving location)
7130	Customer shipment authorisation identifier	C an..17	N	not used

SMSI (Swedish Multi Sector Invoice)

UN/EDIFACT Message: Segment details

UN/EDIFACT			Implementation	
	Name	St Format	St Format	Use / Remarks
C222	Transport identification	C	N	not used
8213	Transport means identification name identifier	C an..9	N	not used
1131	Code list identification code	C an..17	N	not used
3055	Code list responsible agency code	C an..3	N	not used
8212	Transport means identification name	C an..35	N	not used
8453	Transport means nationality code	C an..3	N	not used
8281	Transport means ownership indicator code	C an..3	N	not used

Comment:

To specify the transport details such as mode of transport, means of transport, its conveyance reference number and the identification of the means of transport.

Example:

TDT+25++C++CTRL:::182'

SMSI (Swedish Multi Sector Invoice)

UN/EDIFACT Message: Segment details

Group: **SG47** Status: O Max. Occ.: 1 Terms of delivery
Segment: **TOD** Seq. No.: 136 Level: 2 Terms of delivery or transport
 Status: M Max. Occ.: 1
 Counter: 2000

Name: Terms of delivery - incoterms

Description of segment:

UN/EDIFACT			Implementation	
	Name	St Format	St Format	Use / Remarks
TOD				
4055	Delivery or transport terms function code	C an..3	N	not used
4215	Transport charges payment method code	C an..3	N	not used
C100	Terms of delivery or transport	C	R	
4053	Delivery or transport terms description code	C an..3	R a3	Incoterms Code CFR = Cost and Freight CIF = Cost, Insurance, Freight (... named port of destination) CIP = Carriage and Insurance Paid to (... named place of destination) CPT = Carriage Paid To (... named place of destination) DAF = Delivered At frontier (... named place) DDP = Delivered Duty Paid (... named place of destination) DDU = Delivered Duty Unpaid (... named place of destination) DEQ = Delivered Ex Quay (Duty paid) (... named port of destination) DES = Delivered Ex Ship (... named port of destination) EXW = Ex Works (... named place) FAS = Free Along Ship (... named port of shipment) FCA = Free Carrier (... named place) FOB = Free On Board (... named port of shipment)
1131	Code list identification code	C an..17	N	not used
3055	Code list responsible agency code	C an..3	O an..3	
4052	Delivery or transport terms description	C an..70	N	not used
4052	Delivery or transport terms description	C an..70	N	not used
				4 = ICC (International Chamber of Commerce)

Comment:

Example:

TOD+++FOB::4'

SMSI (Swedish Multi Sector Invoice)

UN/EDIFACT Message: Segment details

Group: **SG47** Status: O Max. Occ.: 1 Terms of delivery

Segment: **LOC** Seq. No.: 137 Level: 3 **Place/location identification**
 Status: O Max. Occ.: 1
 Counter: 2010

Name: Place/location identification

Description of segment:

UN/EDIFACT		Implementation		
	Name	St Format	St Format	Use / Remarks
LOC				
3227	Location function code qualifier	M an..3	M an..3	1 = Place of terms of delivery
C517	Location identification	C	R	
3225	Location name code	C an..35	D a5	Either location code or name has to be transmitted.
1131	Code list identification code	C an..17	N	not used
3055	Code list responsible agency code	C an..3	D an..3	
				3 = IATA (International Air Transport Association)
3224	Location name	C an..256	D an..35	
C519	Related location one identification	C	N	not used
3223	First related location name code	C an..25	N	not used
1131	Code list identification code	C an..17	N	not used
3055	Code list responsible agency code	C an..3	N	not used
3222	First related location name	C an..70	N	not used
C553	Related location two identification	C	N	not used
3233	Second related location name code	C an..25	N	not used
1131	Code list identification code	C an..17	N	not used
3055	Code list responsible agency code	C an..3	N	not used
3232	Second related location name	C an..70	N	not used
5479	Relation code	C an..3	N	not used

Comment:

Example:

LOC+1+:::3:FOB Location'

SMSI (Swedish Multi Sector Invoice)

UN/EDIFACT Message: Segment details

Segment: **UNS** Seq. No.: 138 Level: 0 **Section control**
Status: M Max. Occ.: 1
Counter: 2180

Name: Section control

Description of segment:

UN/EDIFACT		Implementation		
	Name	St Format	St Format	Use / Remarks
UNS 0081	Section identification	M a1	M a1	S = Detail/summary section separation

Comment:

Example:

UNS+S'

SMSI (Swedish Multi Sector Invoice)

UN/EDIFACT Message: Segment details

Segment: CNT
 Seq. No.: 139 Level: 1 **Control total**
 Status: O Max. Occ.: 3
 Counter: 2190

Name: Control total

Description of segment:

UN/EDIFACT			Implementation	
	Name	St Format	St Format	Use / Remarks
CNT				
C270	Control	M	M	
6069	Control total type code qualifier	M an..3	M an..3	It is recommended, to use at least CNT with code 2 (number of line items) in each detailed invoice message. 1 = Total of line item quantities 2 = Number of line items in message 7 = Total gross weight 8 = Total pieces 31 = Number of messages
6066	Control total quantity	M n..18	R n..10	Quantity / Control value
6411	Measurement unit code	C an..8	N	not used

Comment:

Example:
 CNT+2:1'

SMSI (Swedish Multi Sector Invoice)

UN/EDIFACT Message: Segment details

Group: SG50 Status: M Max. Occ.: 2 Invoice amount in invoicing currency

Segment: MOA Seq. No.: 140 Level: 1 **Monetary amount**
 Status: M Max. Occ.: 1
 Counter: 2210

Name: Invoice amount in invoicing currency

Description of segment:

UN/EDIFACT			Implementation	
	Name	St Format	St Format	Use / Remarks
MOA				
C516	Monetary amount	M	M	
5025	Monetary amount type code qualifier	M an..3	M an..3	Although the EDIFACT codelist provides another code for the sum of several invoice documents (e.g. in a summarised message like an invoice trailer) for the sake of keeping the message as simple as possible the code 77 shall be used also in those messages. Qualifier 388 is used in Japan in case of the detailed line item invoice (including SG 49 for the different shipments). This invoice is usually issued once a month. 9 = Amount due/amount payable 77 = Invoice amount 131 = Total charges/allowances 388 = Total amount including Value Added Tax (VAT) 86 = Message total monetary amount 129 = Total amount subject to payment discount
5004	Monetary amount	C n..35	R n..15	Invoice Amount
6345	Currency identification code	C an..3	O an..3	
6343	Currency type code qualifier	C an..3	D an..3	Amount Currency Qualifier If invoicing currency is used, the DE6343 with code 4 can be omitted. If additional home currency is transmitted, for the MOA containing the come currency amount the value 3 in DE6343 is required. 4 = Invoicing currency
4405	Status description code	C an..3	N	not used

Comment:

Total sum charged in respect of a single invoice in accordance with the terms of delivery.

Invoice amount (77) is the sum of:

- line item amounts (Qualifier 79)
- plus total invoice additional amount (136)
- plus total duty/tax/fee amount (176)
- less payment discount amount (109)
- plus or less adjustment amount (165)

Relation between Home Currency and Invoicing Currency is established through data element 5402 (rate of exchange) in the CUX segment at header level.

If the amount is stated in the invoicing currency, the currency type qualifier is optional. For (additional) home and payment currency it has to be stated.

Beast: Koder som används i totalen är. 9,77,99,86,125,129,131,136,165,176 kolla på vilka koder som, skallll användas..

Example:

MOA+77:1160::4'

SMSI (Swedish Multi Sector Invoice)

UN/EDIFACT Message: Segment details

Group: **SG50** Status: D Max. Occ.: 2 Invoice amount in home or payment currency

Segment: **MOA** Seq. No.: 141 Level: 1 **Monetary amount**
 Status: M Max. Occ.: 1
 Counter: 2210

Name: Invoice amount in home currency

Description of segment:

UN/EDIFACT			Implementation	
	Name	St Format	St Format	Use / Remarks
MOA				
C516	Monetary amount	M	M	
5025	Monetary amount type code qualifier	M an..3	M an..3	Amount Type Although the EDIFACT codelist provides another code for the sum of several invoice documents (e.g. in a summarised message like an invoice trailer) for the sake of keeping the message as simple as possible the code 77 shall be used also in those messages. 77 = Invoice amount
5004	Monetary amount	C n..35	R n..15	
6345	Currency identification code	C an..3	O an..3	
6343	Currency type code qualifier	C an..3	R an..3	Amount Currency Qualifier 3 = Home currency 11 = Payment currency
4405	Status description code	C an..3	N	not used

Comment:

Total sum charged in respect of a single invoice in accordance with the terms of delivery.
 When amounts have to be specified by legal reasons also in home currency, this segment has to be sent.
 If the amount is stated in the invoicing currency, the currency type qualifier is optional. For (additional) home and payment currency it has to be stated.

Example:

MOA+77:824.76::3'

SMSI (Swedish Multi Sector Invoice)

UN/EDIFACT Message: Segment details

Group: **SG50** Status: D Max. Occ.: 1 Total taxable amount in invoicing currency

If no taxes or duties apply to any part of the invoice this occurrence of SG50 can be omitted. For transactions with European partners this SG50 might be required by legal reasons even if only zero rate taxes apply to the invoiced items.

Segment: **MOA** Seq. No.: 142 Level: 1 **Monetary amount**
 Status: M Max. Occ.: 1
 Counter: 2210

Name: Total taxable amount in invoicing currency

Description of segment:

UN/EDIFACT		Implementation		
	Name	St Format	St Format	Use / Remarks
MOA				
C516	Monetary amount	M	M	
5025	Monetary amount type code qualifier	M an..3	M an..3	Amount Type 125 = Taxable amount
5004	Monetary amount	C n..35	R n..15	
6345	Currency identification code	C an..3	O an..3	
6343	Currency type code qualifier	C an..3	R an..3	Amount Currency Qualifier 4 = Invoicing currency
4405	Status description code	C an..3	N	not used

Comment:

Total taxable amount.

If no taxes or duties apply to any part of the invoice this occurrence of SG50 can be omitted.

If the amount is stated in the invoicing currency, the currency type qualifier is optional. For (additional) home and payment currency it has to be stated.

Example:

MOA+125:1000::4'

SMSI (Swedish Multi Sector Invoice)

UN/EDIFACT Message: Segment details

Group: **SG50** Status: D Max. Occ.: 2 Total taxable amount in home or payment currency

Segment: **MOA** Seq. No.: 143 Level: 1 **Monetary amount**
 Status: M Max. Occ.: 1
 Counter: 2210

Name: Total taxable amount in home currency

Description of segment:

UN/EDIFACT			Implementation	
	Name	St Format	St Format	Use / Remarks
MOA				
C516	Monetary amount	M	M	
5025	Monetary amount type code qualifier	M an..3	M an..3	Amount Type 125 = Taxable amount
5004	Monetary amount	C n..35	R n..15	Amount
6345	Currency identification code	C an..3	O an..3	
6343	Currency type code qualifier	C an..3	R an..3	Amount Currency Qualifier 3 = Home currency 11 = Payment currency
4405	Status description code	C an..3	N	not used

Comment:

If no taxes or duties apply to any part of the invoice this occurrence of SG50 can be omitted.
 If an invoicing and a home currency are used, for transactions with European partners this SG50 shall be present by legal reasons even if only zero rate taxes apply to the invoiced items.
 If the amount is stated in the invoicing currency, the currency type qualifier is optional. For (additional) home and payment currency it has to be stated.

Example:

MOA+125:711:::3'

SMSI (Swedish Multi Sector Invoice)

UN/EDIFACT Message: Segment details

Group: **SG50** Status: D Max. Occ.: 1 Total tax amount in invoicing currency

Segment: **MOA** Seq. No.: 144 Level: 1 **Monetary amount**
 Status: M Max. Occ.: 1
 Counter: 2210

Name: Total tax amount in invoicing currency

Description of segment:

UN/EDIFACT			Implementation	
	Name	St Format	St Format	Use / Remarks
MOA				
C516	Monetary amount	M	M	
5025	Monetary amount type code qualifier	M an..3	M an..3	Amount Type 176 = Message total duty/tax/fee amount
5004	Monetary amount	C n..35	R n..15	Amount
6345	Currency identification code	C an..3	O an..3	
6343	Currency type code qualifier	C an..3	R an..3	Amount Currency Qualifier 4 = Invoicing currency
4405	Status description code	C an..3	N	not used

Comment:

If no taxes or duties apply to any part of the invoice this occurrence of SG50 can be omitted.
 For transactions with European partners this SG50 shall be present by legal reasons even if the total tax amount equals zero.
 If the amount is stated in the invoicing currency, the currency type qualifie is optional. For (additional) home and payment currency it has to be stated.

Example:

MOA+176:160::4'

SMSI (Swedish Multi Sector Invoice)

UN/EDIFACT Message: Segment details

Group: **SG50** Status: D Max. Occ.: 2 Total tax amount in home or payment currency

Segment: **MOA** Seq. No.: 145 Level: 1 **Monetary amount**
 Status: M Max. Occ.: 1
 Counter: 2210

Name: Total tax amount in home or payment currency

Description of segment:

UN/EDIFACT			Implementation	
	Name	St Format	St Format	Use / Remarks
MOA				
C516	Monetary amount	M	M	
5025	Monetary amount type code qualifier	M an..3	M an..3	Amount Type 176 = Message total duty/tax/fee amount
5004	Monetary amount	C n..35	R n..15	Amount
6345	Currency identification code	C an..3	O an..3	
6343	Currency type code qualifier	C an..3	R an..3	Amount Currency Qualifier 3 = Home currency 11 = Payment currency
4405	Status description code	C an..3	N	not used

Comment:

If no taxes or duties apply to any part of the invoice this occurrence of SG50 can be omitted.

If an invoicing and a home currency are used, for transactions with European partners this SG50 shall be present by legal reasons even if the total tax amount equals zero.

If the amount is stated in the invoicing currency, the currency type qualifier is optional. For (additional) home and payment currency it has to be stated.

Example:

MOA+176:113.76::3'

SMSI (Swedish Multi Sector Invoice)

UN/EDIFACT Message: Segment details

Group: **SG50** Status: O Max. Occ.: 1 Total line items amount in invoicing currency

Segment: **MOA** Seq. No.: 146 Level: 1 **Monetary amount**
 Status: M Max. Occ.: 1
 Counter: 2210

Name: **Total line items amount in invoicing currency**

Description of segment:

UN/EDIFACT			Implementation	
	Name	St Format	St Format	Use / Remarks
MOA				
C516	Monetary amount	M	M	
5025	Monetary amount type code qualifier	M an..3	M an..3	Amount Type 79 = Total line items amount
5004	Monetary amount	C n..35	R n..15	Amount
6345	Currency identification code	C an..3	O an..3	
6343	Currency type code qualifier	C an..3	R an..3	Amount Currency Qualifier 4 = Invoicing currency
4405	Status description code	C an..3	N	not used

Comment:

Total sum of all line items amounts.

Example:

MOA+79:1000:::4'

SMSI (Swedish Multi Sector Invoice)

UN/EDIFACT Message: Segment details

Group: **SG50** Status: O Max. Occ.: 1 Total invoice additional amount in invoicing currency

Segment: **MOA** Seq. No.: 147 Level: 1 **Monetary amount**
 Status: M Max. Occ.: 1
 Counter: 2210

Name: **Total invoice additional amount in invoicing currency**

Description of segment:

UN/EDIFACT			Implementation	
	Name	St Format	St Format	Use / Remarks
MOA				
C516	Monetary amount	M	M	
5025	Monetary amount type code qualifier	M an..3	M an..3	Amount Type 136 = Total invoice additional amount
5004	Monetary amount	C n..35	R n..15	Amount
6345	Currency identification code	C an..3	O an..3	
6343	Currency type code qualifier	C an..3	R an..3	Amount Currency Qualifier 4 = Invoicing currency
4405	Status description code	C an..3	N	not used

Comment:

Example:

MOA+136:1000::4'

SMSI (Swedish Multi Sector Invoice)

UN/EDIFACT Message: Segment details

Group: SG50 Status: O Max. Occ.: 1 Total invoice price adjustment amount in invoicing currency

Segment: MOA Seq. No.: 148 Level: 1 **Monetary amount**
 Status: M Max. Occ.: 1
 Counter: 2210

Name: Total invoice price adjustment amount in invoicing currency

Description of segment:

UN/EDIFACT			Implementation	
	Name	St Format	St Format	Use / Remarks
MOA				
C516	Monetary amount	M	M	
5025	Monetary amount type code qualifier	M an..3	M an..3	Amount Type
5004	Monetary amount	C n..35	R n..15	165 = Adjustment amount Minus sign or DE 4405 must be used to indicate negative figures.
6345	Currency identification code	C an..3	O an..3	
6343	Currency type code qualifier	C an..3	R an..3	Amount Currency Qualifier
4405	Status description code	C an..3	N	4 = Invoicing currency not used

Comment:

In some countries the invoice amount is always rounded to full currency units (e.g. SEK in Sweden). The sum of all line item amounts + or - allowances, charges, taxes does often not equals to this rounded invoice amount. In this case, an adjustment amount might be necessary to explain the difference.

Example:

MOA+165:0.26::4'

SMSI (Swedish Multi Sector Invoice)

UN/EDIFACT Message: Segment details

Group: **SG50** Status: O Max. Occ.: 100 Non-taxable / exemption amount

Segment: **MOA** Seq. No.: 149 Level: 1 **Monetary amount**
 Status: M Max. Occ.: 1
 Counter: 2210

Name: **Non-taxable or exemption amount**

Description of segment:

UN/EDIFACT			Implementation	
	Name	St Format	St Format	Use / Remarks
MOA				
C516	Monetary amount	M	M	
5025	Monetary amount type code qualifier	M an..3	M an..3	342 = Non-taxable amount 403 = Exemption amount
5004	Monetary amount	C n..35	R n..15	
6345	Currency identification code	C an..3	O an..3	
6343	Currency type code qualifier	C an..3	R an..3	
				4 = Invoicing currency
4405	Status description code	C an..3	O an..3	
				29 = Debit 30 = Credit

Comment:

Example:

MOA+403:1000:EUR:4'

SMSI (Swedish Multi Sector Invoice)

UN/EDIFACT Message: Segment details

Group: **SG52** Status: O Max. Occ.: 10 Tax rates and amounts

Segment: **TAX** Seq. No.: 150 Level: 1 **Duty/tax/fee details**
 Status: M Max. Occ.: 1
 Counter: 2260

Name: Tax type

Description of segment:

UN/EDIFACT		Implementation		
	Name	St Format	St Format	Use / Remarks
TAX				
5283	Duty or tax or fee function code qualifier	M an..3	M an..3	7 = Tax
C241	Duty/tax/fee type	C	R	
5153	Duty or tax or fee type name code	C an..3	R an..3	Duty/Tax/Fee Type Coded OTH = Other taxes VAT = Value added tax ENV = Environmental tax SCN = Special construction tax AAE = Energy fee EXC = Excise duty
1131	Code list identification code	C an..17	N	not used
3055	Code list responsible agency code	C an..3	N	not used
5152	Duty or tax or fee type name	C an..35	N	not used
C533	Duty/tax/fee account detail	C	N	not used
5289	Duty or tax or fee account code	M an..6	N	not used
1131	Code list identification code	C an..17	N	not used
3055	Code list responsible agency code	C an..3	N	not used
5286	Duty or tax or fee assessment basis quantity	C an..15	N	not used
C243	Duty/tax/fee detail	C	R	
5279	Duty or tax or fee rate code	C an..7	N	not used
1131	Code list identification code	C an..17	N	not used
3055	Code list responsible agency code	C an..3	N	not used
5278	Duty or tax or fee rate	C an..17	R n..7	Duty/Tax/Fee Rate
5273	Duty or tax or fee rate basis code	C an..12	N	not used
1131	Code list identification code	C an..17	N	not used
3055	Code list responsible agency code	C an..3	N	not used
5305	Duty or tax or fee category code	C an..3	D an..3	The use of any valid EDIFACT code is permitted, the trading partners may limit the codes in accordance with business and legal requirements. (1) Codes created to comply with the European invoicing directive. These codes are not yet part of the official EDIFACT code list. In Europe it is recommended or even required to use these more specific codes instead of code E. A = Mixed tax rate

SMSI (Swedish Multi Sector Invoice)

UN/EDIFACT Message: Segment details

UN/EDIFACT		Implementation		
Name	St Format	St Format	Use / Remarks	
				AA = Lower rate E = Exempt from tax H = Higher rate O = Services outside scope of tax S = Standard rate Z = Zero rated goods AAA = Exempt - Article 15 of Directive 77/388/EC (1) AAB = Exempt - Article 16 of Directive 77/388/EC (1) AAC = Exempt - Article 28c(A) of Directive 77/388/EC (1) AAE = Exempt - Article 28b(C) (D) (E) (F) of Directive 77/388/EC (1) AAF = Exempt - Article 26b(B) of Directive 77/388/EC (1) AAG = Exempt - Article 13 of Directive 77/388/EC (1) AAH = Margin Scheme - Article 26a of Directive 77/388/EC (1) AAI = Margin - Article 26 of Directive 77/388/EC (1) AAJ = Reverse Charge - Article 26b(F) of Directive 77/388/EC (1) AAK = Reverse Charge - Article 21 1.a of Directive 77/388/EC (1) AAL = Reverse Charge - 2nd subparagraph of Article 16(1) of Directive 77/388/EC (1) AAM = New Means of Transport - Article 28a(2) of Directive 77/388/EC (1) AAN = Exempt - Article 28c(E)(3) of Directive 77/388/EC Triangulation (1) AAO = Reverse Charge - Article 9.2.e of Directive 77/388/EC (1)
3446	Party tax identifier	C an..20	N	not used
1227	Calculation sequence code	C an..3	N	not used

Comment:

When sending a message with data element 5278 in the TAX segment, the tax rate (numeric) should be presented in an alpha-numeric field as follows: 19.5% ==> :19.5

In European business environment, it is recommended to use SG52 as well to summarize line items belonging to the same exemption category. Assuming an invoice with a mixture of line items (1000 EUR) subject to VAT and line items (1000 EUR) subject to tax exemption, the following example would explain the recommendation:

```

SG50: Total invoice amount (MOA+77) 2160.00 EUR
SG50: Total taxable amount (MOA+125) 1000.00 EUR
SG50: Total tax amount (MOA+176) 160.00 EUR
SG50: Total exemption amt (MOA+403) 1000.00 EUR
SG52: Tax rate and amounts - VAT
SG52: Tax rate and type (TAX+7) 16% VAT
SG52: Taxable amount (MOA+125) 1000.00 EUR
SG52: Tax amount (MOA+124) 160.00 EUR
SG52: Tax rate and amounts - exempt code AAA
SG52: Tax rate and type (TAX+7) 0% AAA (exempt ...)
SG52: Taxable amount (MOA+125) 1000.00 EUR
SG52: Tax amount (MOA+124) 0.00 EUR
    
```

Example:

TAX+7+VAT++++:::16+S'

SMSI (Swedish Multi Sector Invoice)

UN/EDIFACT Message: Segment details

Group: **SG52** Status: O Max. Occ.: 10 Tax rates and amounts

Segment: **MOA** Seq. No.: 151 Level: 2 **Monetary amount**
 Status: D Max. Occ.: 1
 Counter: 2270

Name: Tax amount in invoice currency

Description of segment:

UN/EDIFACT			Implementation	
	Name	St Format	St Format	Use / Remarks
MOA				
C516	Monetary amount	M	M	
5025	Monetary amount type code qualifier	M an..3	M an..3	124 = Tax amount
5004	Monetary amount	C n..35	R n..15	Tax Amount
6345	Currency identification code	C an..3	O an..3	
6343	Currency type code qualifier	C an..3	R an..3	
4405	Status description code	C an..3	N	4 = Invoicing currency not used

Comment:

Example:

MOA+124:160::4'

SMSI (Swedish Multi Sector Invoice)

UN/EDIFACT Message: Segment details

Group: **SG52** Status: O Max. Occ.: 10 Tax rates and amounts

Segment: **MOA** Seq. No.: 152 Level: 2 **Monetary amount**
Status: R Max. Occ.: 1
Counter: 2270

Name: Taxable amount in invoice currency

Description of segment:

UN/EDIFACT			Implementation	
	Name	St Format	St Format	Use / Remarks
MOA				
C516	Monetary amount	M	M	
5025	Monetary amount type code qualifier	M an..3	M an..3	125 = Taxable amount
5004	Monetary amount	C n..35	R n..15	Taxable Amount
6345	Currency identification code	C an..3	O an..3	
6343	Currency type code qualifier	C an..3	R an..3	
4405	Status description code	C an..3	N	4 = Invoicing currency not used

Comment:

Example:

MOA+125:1000::4'

SMSI (Swedish Multi Sector Invoice)

UN/EDIFACT Message: Segment details

Group: **SG52** Status: O Max. Occ.: 10 Tax rates and amounts

Segment: **MOA** Seq. No.: 153 Level: 2 **Monetary amount**
 Status: C Max. Occ.: 9
 Counter: 2270

Name: Monetary amount

Description of segment:

UN/EDIFACT			Implementation	
	Name	St Format	St Format	Use / Remarks
MOA				
C516	Monetary amount	M	M	
5025	Monetary amount type code qualifier	M an..3	M an..3	1 = VAT, 1st value 2 = VAT, 2nd value
5004	Monetary amount	C n..35	C n..35	
6345	Currency identification code	C an..3	N	not used
6343	Currency type code qualifier	C an..3	N	not used
4405	Status description code	C an..3	N	not used

Comment:

Example:

RTE+1:10.00'

SMSI (Swedish Multi Sector Invoice)

UN/EDIFACT Message: Segment details

Segment: **UNT** Seq. No.: 154 Level: 0 **Message trailer**
Status: M Max. Occ.: 1
Counter: 2330

Name: Message trailer

Description of segment:

UN/EDIFACT		Implementation		
	Name	St Format	St Format	Use / Remarks
UNT				
0074	Number of segments in the message	M n..6	M n..6	Number of segments in the message
0062	Message reference number	M an..14	M an..14	

Comment:

Example:

UNT+162+1'

SMSI (Swedish Multi Sector Invoice)

UN/EDIFACT Message: Segment details

SMSI (Swedish Multi Sector Invoice)

UN/EDIFACT Message: Segment details

SECTION 5: BUSINESS FUNCTIONS COVERED BY THE MESSAGE

The invoicing process contains at least the invoice itself (either issued by seller or as a self-billed invoice issued by the buyer). The corrective action has to be taken by other means.

In some countries it is usual or even required to send a paper based summarized statement. This statement will be used mostly for tax reporting reasons.

SMSI (Swedish Multi Sector Invoice)

UN/EDIFACT Message: Segment details

5.1 Invoice Profile

5.1.1 This message covers the invoicing function using one of the following processes.

- Classic invoicing: The message is sent by the seller to the buyer claiming payment for goods despatched under mutually agreed conditions.
- Self-billing: The message is sent by the buyer to the seller to settle payment for goods despatched under mutually agreed conditions. The buyer will arrange for payment according to agreed conditions.

One invoice must refer to one order from the buyer and one or more despatch advices.

An invoice may refer to or (R) = Required):

- Buyer in following roles (R)
 - One buyer
 - One buyer as officially registered
 - One ship-to on header level
- Seller in following roles (R)
 - One seller
 - One seller as officially registered
- Third parties (R)
 - One pay-to
- One payment means
- One payment condition
- One set of currency information including a specific VAT amount currency (home currency) when different from the invoice currency (R)
- General information
- One set of legal and fiscal information
- One or more payment terms
- Different goods supplied in one or several despatches (R)
- Quantities, prices and different sums (R)
- One or more allowances/charges at article line level agreed between Buyer and Seller
- Article or allowance/charge (Used upon agreement) related to more than one VAT category and rate.
- An invoice may contain adjustments related to prices/amounts to avoid differences caused by fractions (e.g., used in Sweden)
- VAT exempt for crossborder between different EU countries.

SMSI (Swedish Multi Sector Invoice)

UN/EDIFACT Message: Segment details

5.1.2 Invoicing EU Directive 77/388/EC

Since 20040101 a new Invoicing directive was implemented in EU. Required information in this directive was defined and has to be used in all EU countries. This information has been stated in the specifications as Required in EU. Other countries outside EU should also send this information due to harmonise the specification.

Due to simplify the use of Tax Exemption Reason, a codelist have been created for this purpose. Should be used for crossborder between different EU countries.

AAA Exempt – Article 15 of Directive 77/388/EC

Exemption of exports from the Community and like transactions and international transport.

To be used **when invoicing goods which are delivered to a non-EC country and when invoicing certain services, where these are directly connected with the export of goods.**

AAB Exempt – Article 16 of Directive 77/388/EC

Special exemptions linked to international goods traffic.

To be used **when invoicing goods which are imported from a non EC country into an approved warehouse, or free zone, within the EC area, and held in warehouse under VAT suspension. This arrangement may also include VAT suspended goods movements between different approved warehouses within the EC provided that the goods are re-exported from the warehouse to a non-EC country.**

Example: a company in EC country A imports goods from US and stores them in an approved warehouse, under VAT suspension. The EC company A then sells the goods to a company in EC country B and transfer the goods from the warehouse in country A to a warehouse in country B, still under VAT suspension.

Then the company in country B sells and delivers the goods to a company in Russia.

AAC Exempt – Article 28c(A) of Directive 77/388/EC

Exempt Intra-Community supplies of goods.

To be used **when invoicing goods which are delivered from one EC country to another EC country if the customer has a VAT number in another EC country.**

The goods have to be dispatched or transported by or on behalf of the vendor or the person acquiring the goods.

AAE Reverse Charge – Article 28b(C) (D) (E) (F) of Directive 77/388/EC

Reverse Charge Intra-Community transport services.

To be used **when invoicing the transport of goods within the EC and ancillary services to these transports, services rendered by intermediaries, services on movable tangible property, where the customer is registered for VAT in a different EC country to that of the supplier.**

AAF Exempt – Article 26b(B)) of Directive 77/77/388/EC

Exemption under the special scheme for investment gold.

To be used **when invoicing investment gold to a customer in another EC country, where the special scheme for investment gold is applicable.**

AAG Exempt – Article 13 of Directive 77/388/EC

Exempt within the territory of the country.

SMSI (Swedish Multi Sector Invoice)

UN/EDIFACT Message: Segment details

To be used when invoicing, within the supplier's own country, goods and services that are exempt from VAT under the national legislation – e.g. banking-, insurance services, hospital care, medicine and education.

AAH Margin Scheme – Article 26a of Directive 77/388/EC

Special arrangements applicable to second-hand goods, works of art, collectors items and antiques.

To be used when invoicing second-hand goods, works of arts, collector's items and antiques where the margin scheme is applicable.

AAI Margin Scheme – Article 26 of Directive 77/388/EC

Margin scheme for travel agents

To be used when invoicing for travel arrangements where the margin scheme for travel agents is applicable.

AAJ Reverse Charge – Article 26b(F) of Directive 77/388/EC

Reverse charge procedure applying to supplies of gold.

To be used when the supplier of the investment gold, which would otherwise be exempt from VAT, has exercised the right to “option to tax”, under the Article 26b(C) of directive 77/388/EC. Under this “option to tax” arrangement, the customer is liable to account for VAT on supply, under the reverse charge procedure.

AAK Reverse Charge – Article 21 1.a of Directive 77/388/EC

Reverse charge procedure. Special scheme for non VAT registered companies within an EC country in case of domestic supply of goods and services to a VAT registered purchaser in that EC country.

To be used when invoicing goods and certain services, from a supplier (a foreign entity) who is not established and registered for VAT in an EC country, to a customer who is VAT registered in that EC country.

AAL Reverse Charge Exempt - Article 16 (1) 2nd subparagraph of Directive 77/388/EC

Reverse charge procedure when goods cease to be covered by warehousing arrangements.

To be used when invoicing goods from a non-EC country which have been held in an approved warehouse and should be removed for consumption in an EC country (i.e. not re-exported as in AAB).

Example: still using the example above (AAB) as a base the company in country A sells and transfers the goods to a company in country B but in this case the company in country B sells and deliver the goods to EC country C for domestic consumption.

AAM Exempt New Means of Transport – Article 28a(2) of Directive 77/388/EC

Intra-Community supply of a new means of transport.

The following information is required on the invoice for an Intra-Community supply of a New Means of Transport:

a) the chassis number, or VIN (vehicle identification) number and the vehicle registration number, if it is a nearly-new vehicle that has been registered in the “exporting” Member State,

b) the price paid,

c) the value of any accessories that have been supplied (over and above the price for the vehicle).

(During the vehicle registration process in the “importing” Member State, the price paid, plus the value of any accessories supplied, will be used for the purposes of calculating the VAT due.)

SMSI (Swedish Multi Sector Invoice)

UN/EDIFACT Message: Segment details

<p>To be used when invoicing a supply of new means of transport to a customer in another EC country.</p>
<p>AAN Exempt Triangulation – Article 28c(E)(3) of Directive 77/388/EC Triangulation To be used when invoicing by a company who is the middleman in a triangulation chain i.e. goods trade between three parties in different EC countries and the goods delivered from the first part to the last part.</p>
<p>AAO Reverse Charge – Article 9.2.e of Directive 77/388/EC Reverse charge procedure for services such as consultant, lawyer, information, ADB and translation. To be used when invoicing taxable services for example consultant-, lawyer-, auditor-, translation- and information services, ADB and preparing systems and programs, advertising to EC countries and certain non EC countries.</p>

5.1.3 Example Message for a Classic Invoice (Seller to Buyer) Intra-EU

UNH+1+INVOIC:D:03A:UN:GMI012'	Message header segment, Message type INVOIC based on UN/EDIFACT directory 03A, compliant to the GIS - GLOBAL INVOICE S SWEDEN MESSAGE Global Motor Industry subset 012
BGM+380+123456'	380 = Invoice message, number 123456
DTM+137:20041230:102'	Invoice date: 30-Dec-2004
FTX+ABL+++Legal info text+en'	Free text: Legal or fiscal information
GEI+OM+::272'	OM = Other materials
NAD+BY+1234567::91++Buyer AB+Small Road+Small town+SE44488+SE'	Buyer
RFF+VA:SE556013970001'	Buyer's VAT registration number
NAD+SE+1234567::92++Seller GmbH+ Main Street+Big Town++DE-80559+DE'	Seller
RFF+VA:DE811123456'	Seller's VAT registration number
CUX+2:EUR:4'	Invoice currency: EUR
LIN+1++1234567890:IN'	Line item section, first line item, buyer's article number 1234567890
IMD+++::Wall Paper '	Item description
QTY+47:10'	Invoiced quantity: 10 pieces (Default is PCE)
ALI+DE'	Additional information: Country of origin: Deutschland
MOA+38:1000'	Gross amount (excluding allowances / charges & VAT)
PRI+AAB:100'	Calculation gross price (excluding allowances / charges & VAT)
RFF+AAK:333444'	Reference: despatch note number 333444
DTM+171:20041230:102'	Despatch note date
TAX+7+VAT+++:::0+AAC'	Tax type VAT, rate 0 %, tax exempt
MOA+124:0'	Tax amount

SMSI (Swedish Multi Sector Invoice)

UN/EDIFACT Message: Segment details

ALC+C+++FC'	Allowance: Freight charge
MOA+8:100'	Allowance amount
TAX+7+VAT+++:::0+AAC'	Allowance tax rate: 0 %, tax exempt
MOA+124:0'	Allowance tax amount
UNS+S'	Section control
MOA+77:1100::4'	Invoice total amount in invoicing currency
MOA+125:1100::4'	Total taxable amount in invoicing currency
MOA+176:0::4'	Total tax amount in invoicing currency
MOA+79:1000::4'	Total line items amount in invoicing currency
MOA+136:100::4'	Total invoice additional amount in invoicing currency
MOA+403:1100::4'	Non-taxable or exemption amount
TAX+7+VAT+++:::0+AAC'	Tax sum
MOA+124:0'	Tax amount (at rate 0 %)
MOA+125:1100'	Taxable amount (at rate 0 %)
UNT+34+1'	Message trailer, 40 segments in the message, message reference number 1

SMSI (Swedish Multi Sector Invoice)

UN/EDIFACT Message: Segment details

5.1.4 Example Message for a Classic Invoice (Seller to Buyer) Domestic

UNH+1+INVOIC:D:03A:UN:GMI012'	Message header segment, Message type INVOIC based on UN/EDIFACT directory 03A, compliant to the GIS - GLOBAL INVOICE S SWEDEN MESSAGE Global Motor Industry subset 012
BGM+380+123456'	380 = Invoice message, number 123456
DTM+137:20041230:102'	Invoice date: 30-Dec-2004
FTX+ABL+++Legal info text+en'	Free text: Legal or fiscal information
GEI+OM+:::272'	OM = Other materials
NAD+BY+1234567:::91++Buyer AB +Small Road+Small Town+SE44488+SE'	Buyer
RFF+VA:SE556013970001'	Buyer's VAT registration number
NAD+ST+123456:::92++Ship to name+Ship to street / number+City+SE'	Ship-to
NAD+SE+1234567:::92++Seller AB+Main Street+Big Town++SE33355+SE'	Seller
RFF+VA:SE555012860001'	Sellers VAT registration number
NAD+FH++Seller AB:Sample Street 99:Sample Town:SE77755:SE'	Seller as officially registered
NAD+PE+1234567:::91++Pay To AB+Middle Road+Middle Town++SE66622+SE'	Pay-to
FII+BF+SE6531123456789:Pay To AB+::: Svenska Handelsbanken'	Pay-to's financial institution information
RFF+VA:SE555022220001'	Pay-to's VAT registration number
CUX+2:EUR:4+3:SEK:3+9.10'	Invoice currency: EUR. Home currency: SEK. (Payment currency: EUR) Exchange rate: 9.10 SEK = 1 EUR
DTM+134:20041230:102'	Exchange rate date
LIN+1++1234567890:IN'	Line item section, first line item, buyer's article number 1234567890
IMD+++:::left brake mount:iron'	Item description
QTY+47:10'	Invoiced quantity: 10 pieces (Default is PCE)
ALI+SE'	Additional information: Country of origin: Sweden
MOA+38:1000'	Gross amount (excluding allowances / charges & VAT)
PRI+AAB:100'	Calculation gross price (excluding allowances/charges & VAT)
RFF+AAK:333444'	Reference: despatch note number 333444.
DTM+171:20041230:102'	Despatch note date
TAX+7+VAT+++:::25+S'	Tax type VAT, rate 25 %, standard rate
MOA+124:250'	Tax amount
ALC+C+++FC'	Charge: Freight charge
MOA+8:100'	Allowance amount
TAX+7+VAT+++:::25+S'	Allowance tax rate: 25 %, standard rate
MOA+124:25'	Allowance tax amount
UNS+S'	Section control

SMSI (Swedish Multi Sector Invoice)

UN/EDIFACT Message: Segment details

MOA+77:1375::4'	Invoice total amount in invoicing currency
MOA+77:12512.50::3'	Invoice total amount in home currency
MOA+125:1100::4'	Total taxable amount in invoicing currency
MOA+125:10010::3'	Total taxable amount in home currency
MOA+176:275::4'	Total tax amount in invoicing currency
MOA+176:2502.50::3'	Total tax amount in home currency
MOA+79:1000::4'	Total line items amount in invoicing currency
MOA+136:100::4'	Total invoice additional amount in invoicing currency
MOA+403:0::4'	Non-taxable or exemption amount
TAX+7+VAT+++:::25+S'	Tax sum: VAT 25 %
MOA+124:275::4'	Tax amount (at rate 25 %)
MOA+125:1100::4'	Taxable amount (at rate 25 percent)
UNT+44+1'	Message trailer, 44 segments in the message, message reference number 1

5.1.5 Example Message for a Self billed Classic Invoice built on Despatch advise (Seller to Buyer) Domestic

UNH+1+INVOIC:D:03A:UN:GMI012'	Message header segment, Message type INVOIC based on UN/EDIFACT directory 03A, compliant to the GIS - GLOBAL INVOICE S SWEDEN MESSAGE Global Motor Industry subset 021
BGM+389+123456'	389 = Invoice message, number 123456
DTM+137:20041230:102'	Invoice date: 30-Dec-2004
FTX+ABL+++Legal info text+en'	Free text: Legal or fiscal information
GEI+PM+:::272'	PM = Production materials
NAD+BY+1234567::91++Buyer AB +Small Road+Small Town+SE44488+SE'	Buyer
RFF+VA:SE556013970001'	Buyer's VAT registration number
NAD+ST+123456::92++Ship to name+Ship to street / number+City+SE'	Ship-to
NAD+SE+1234567::92++Seller AB+Main Street+Big Town++SE33355+SE'	Seller
RFF+VA:SE555012860001'	Sellers VAT registration number
NAD+FH++Seller AB:Sample Street 99:Sample Town:SE77755:SE'	Seller as officially registered
NAD+PE+1234567::91++Pay To AB+Middle Road+Middle Town++SE66622+SE'	Pay-to
FII+BF+DE59600700700119067713+::: Deutsche Bank AG'	Pay-to's financial institution information
RFF+VA:SE555022220001'	Pay-to's VAT registration number
CUX+2:EUR:4+3:SEK:3+9.10'	Invoice currency: EUR. Home currency: SEK. Payment currency: EUR Exchange rate: 9.10 SEK = 1 EUR
DTM+134:20041230:102'	Exchange rate date

SMSI (Swedish Multi Sector Invoice)

UN/EDIFACT Message: Segment details

LIN+1++1234567890:IN'	Line item section, first line item, buyer's article number 1234567890
IMD+++::left brake mount:iron'	Item description
QTY+47:10'	Invoiced quantity: 10 pieces(Default PCE)
ALI+PL'	Additional information: Country of origin: Poland
MOA+38:1000'	Gross amount (excluding allowances / charges & VAT)
PRI+AAB:100'	Calculation gross price (excluding allowances/charges & VAT)
RFF+AAK:333444'	Reference: despatch note number 333444.
DTM+171:20041230:102'	Despatch note date
TAX+7+VAT+++::25+S'	Tax type VAT, rate 25 percent, standard rate
MOA+124:250'	Tax amount
ALC+C+++FC'	Charge: Freight charge
MOA+8:100'	Allowance amount
TAX+7+VAT+++::25+S'	Allowance tax rate: 25 percent, standard rate
MOA+124:25'	Allowance tax amount
UNS+S'	Section control
MOA+77:1375::4'	Invoice total amount in invoicing currency
MOA+77:12512.50::3'	Invoice total amount in home currency
MOA+125:1100::4'	Total taxable amount in invoicing currency
MOA+125:10010::3'	Total taxable amount in home currency
MOA+176:275::4'	Total tax amount in invoicing currency
MOA+176:2502.50::3'	Total tax amount in home currency
TAX+7+VAT+++::25+S'	Tax sum: VAT 25 percent
MOA+124:275'	Tax amount (at rate 25 percent)
MOA+125:1100::4'	Taxable amount (at rate 25 percent)
UNT+42+1'	Message trailer, 42 segments in the message, message reference number 1

SMSI (Swedish Multi Sector Invoice)

UN/EDIFACT Message: Segment details

5.2 Profile Chart

		Classic Invoice	Self-Billed Invoice
MessageAttributes		➤	➤
Header section			
	Buyer	➤	➤
	Buyer as officially registered	➤	➤
	Tax representative Party	➤	➤
	Invoicee	➤	➤
	Invoice To	➤	➤
	Ship to	➤	➤
	Delivery Party	➤	➤
	Seller	➤	➤
	Seller as officially registered	➤	➤
	Pay to	➤	➤
	Invoice Issuer	➤	➤
	Ship From	➤	➤
	Legal Fiscal	➤	➤
	Horizon start date	➤	➤
	Horizon end date	➤	➤
	Horizon period	➤	➤
	Tax point date	➤	➤
	Delivery Date	➤	➤
	Dispatch Date	➤	➤
	Currency details	➤	➤
	Payment details	➤	➤
	General information	➤	➤
	Supplier Info(Link)	➤	➤
	References to documents	➤	➤
	Transport Details	➤	➤
	Allowance and charges	➤	➤
	Adjustments to Original Invoice (Send in a Creditnote)		➤
Line item section			
	Article details	➤	➤
	Sub line Indicator	➤	➤
	Line Item Identifier	➤	➤
	Dates	➤	➤
	Pre Meter reading date	➤	➤
	Weight	➤	➤

SMSI (Swedish Multi Sector Invoice)

UN/EDIFACT Message: Segment details

	Line Info Texts	➤	➤
	Goods information Number	➤	➤
	References to documents or messages	➤	➤
	Prices	➤	➤
	Line Item amounts	➤	➤
	Locations	➤	➤
	Vat for Line amounts	➤	➤
	Parties	➤	➤
	Allowances and charges	➤	➤
	Transport details	➤	➤
	Terms of delivery	➤	➤
Sum section			
	Total amounts	➤	➤

SMSI (Swedish Multi Sector Invoice)
--

UN/EDIFACT Message: Segment details
--

APPENDIX 1: MAINTENANCE REQUEST FORM

Maintenance Request Form (SMSI)	
Name of Submitter:	Date:
Company:	
Company Address:	
Phone:	Fax:
	E-mail:
MAINTENANCE REQUEST	
Page Number of Change:	
Document Currently Reads:	
Recommended Changes/Should Read:	
Reason for Change (Use additional sheets if necessary):	
Signature of Submitter:	
Complete form and return, or send an e-mail, to Odette Sweden, Box 26173, 100 41 Stockholm, fax: +46 8 791 23 11, e-mail: sten.lindgren@odette.se, website: http://www.odette.se Change requests could also be sent to BEAst and to Sveriges Transportindustriförbund, see page 5 for complete addresses	

SMSI (Swedish Multi Sector Invoice)

UN/EDIFACT Message: Segment details

APPENDIX II: USED CODES

Please note that this list of used codes is a general document created for all global automotive EDI messages. This means that there are codes in the list of used codes that are not used in this specification. This list is available at

www.beast.se
www.odette.se
www.swedfreight.se