



Spare Parts List
Compliant Scroll Compressors - L/M Range

ZF/ZS



04/02

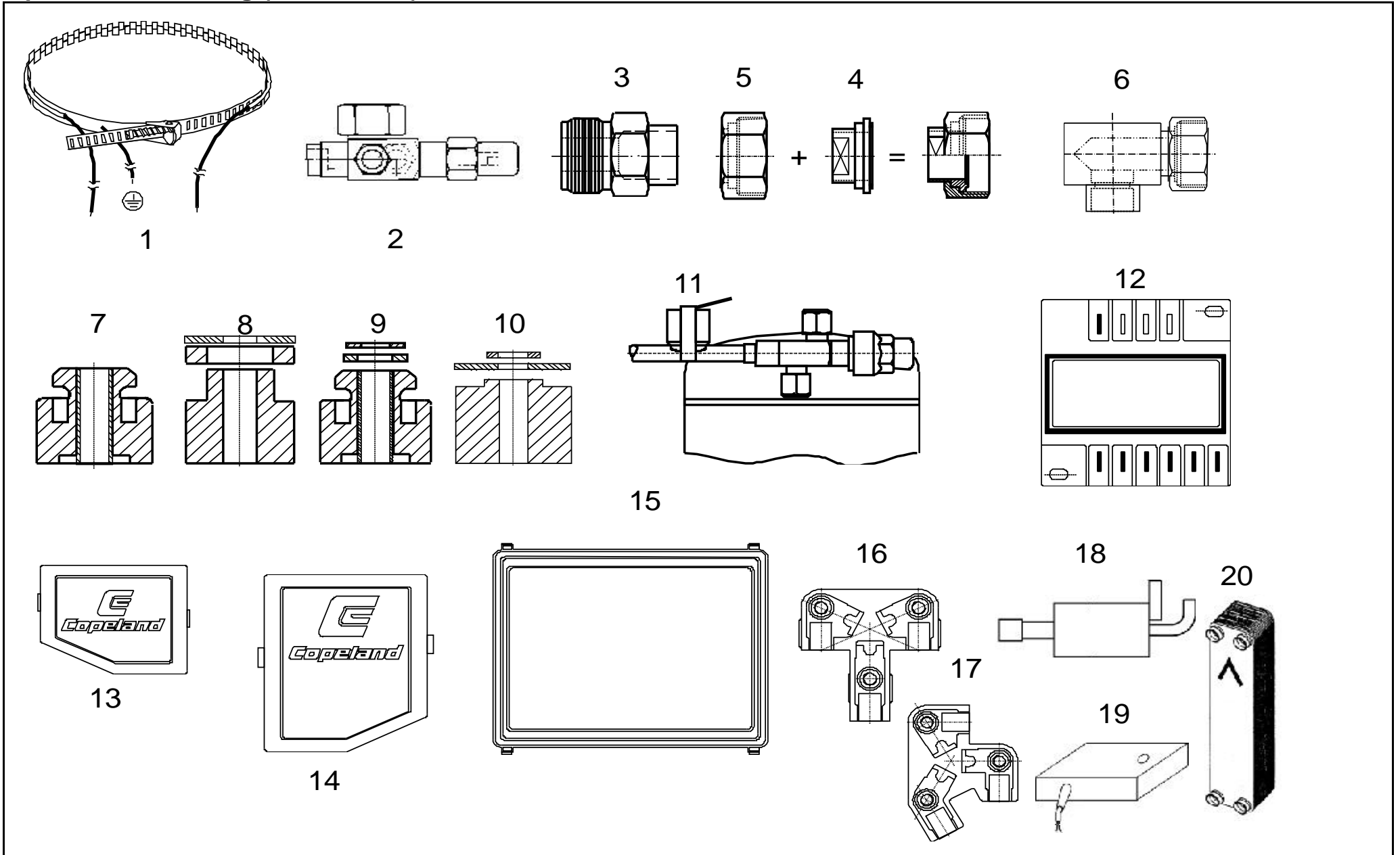


Diagram No.	Description		Part No.	ZF 06 K4E-TF*	ZF 08 K4E-TF*	ZF 09 K4E-TF*	ZF 11 K4E-TF*	ZF 13 K4E-TF*	ZF 15 K4E-TF*	ZF 18 K4E-TF*	ZF 24 K4E-TW*	ZF 33 K4E-TW*	ZF 40 K4E-TW*	ZF 48 K4E-TW*	ZS 15 K4E-TF*	ZS 19 K4E-TF*	ZS 21 K4E-TF*	ZS 26 K4E-TF*	ZS 30 K4E-TF*	ZS 38 K4E-TF*	ZS 45 K4E-TF*	ZS 56 K4E-TW*	ZS 75 K4E-TW*	ZS 92 K4E-TW*	ZS 11 M4E-TW*	
1	Crankcase heater, 800 mm lead length	240 V, 70 W	8039902	1	1	1	1	1	1	1																
1	Crankcase heater, 550 mm lead length	480 V, 70W	8039899	1	1	1	1	1	1	1					1	1	1	1	1	1	1					
1	Crankcase heater, 670 mm lead length	240 V, 70 W	8013479								1	1	1	1								1	1	1	1	
1	Crankcase heater, 670 mm lead length	480 V, 70 W	8013491								1	1	1	1								1	1	1	1	
2	Rotalock shut-off valve with gasket, Discharge	1" - 14, I.D. 5/8"	8032025	1	1	1	1	1	1	1					1	1	1	1	1	1	1	1				
	Gasket		2495928	1	1	1	1	1	1	1					1	1	1	1	1	1	1	1				
2	Rotalock shut-off valve with gasket, Suction	1 1/4" - 12, I.D. 7/8"	8032989	1	1	1	1	1	1	1					1	1	1	1	1	1	1	1				
	Gasket		2495939	1	1	1	1	1	1	1					1	1	1	1	1	1	1	1				
	Kit Rotalock shut-off valves with gaskets, Suction / Discharge	1 1/4" - 12, I.D. 7/8"; 1" - 12, I.D. 5/8"	8025772	1	1	1	1	1	1	1					1	1	1	1	1	1	1	1				
2	Rotalock shut-off valve with gasket, Discharge	1 1/4" - 12, I.D. 3/4"	8032058								1												1			
	Gasket		2495939								1												1			
2	Rotalock shut-off valve with gasket, Suction	1 3/4"- 12, I.D. 1 1/8"	2837131								1												1			
	Gasket		2050772								1												1			
	Kit Rotalock shut-off valves with gaskets, Suction / Discharge	1 3/4" - 12, I.D. 1 1/8"; 1 1/4" - 12, I.D. 3/4"	6309534								1												1			
2	Rotalock shut-off valve with gasket, Discharge	1 1/4" - 12, I.D. 7/8"	2837164									1	1										1	1		
	Gasket		2495939									1	1										1	1		
2	Rotalock shut-off valve with gasket, Suction	1 3/4"-12, I.D. 1 3/8"	2837120									1	1										1	1		
	Gasket		2050772									1	1										1	1		
	Kit Rotalock shut-off valves with gaskets, Suction / Discharge	1 3/4" - 12, I.D. 1 3/8"; 1 1/4" - 12, I.D. 7/8"	6309545									1	1											1	1	
2	Rotalock shut-off valve with gasket, Disharge	1 3/4"- 12, I.D. 1 1/8"	2837131											1												1
	Gasket		2050772											1												1
2	Rotalock shut-off valve with gasket, Suction	2 1/4" - 12, I.D. 42 mm	8517357											1												1
	Gasket		8506819											1												1
	Kit Rotalock shut-off valves with gaskets, Suction / Discharge	2 1/4" - 12, I.D. 42 mm; 1 3/4" - 12, I.D. 1 1/8"	8511928											1												1
3	Rotalock adapter, brazing to Rotalock, Discharge	1/2" => 1" - 14	8026899	1	1	1	1	1	1	1					1	1	1	1	1	1	1	1				
	Gasket		2495928	1	1	1	1	1	1	1					1	1	1	1	1	1	1	1				
	Rotalock adapter with gasket, brazing to Rotalock, Discharge	1/2" => 1" - 14	8026946	1	1	1	1	1	1	1					1	1	1	1	1	1	1	1				
3	Rotalock adapter, brazing to Rotalock, Suction	5/8" o. 3/4" => 1 1/4" - 12	8026924	1	1	1	1								1	1	1	1								
	Gasket		2495939	1	1	1	1								1	1	1	1								

Diagram No.	Description		Part No.	ZF 06 K4E-TF*	ZF 08 K4E-TF*	ZF 09 K4E-TF*	ZF 11 K4E-TF*	ZF 13 K4E-TF*	ZF 15 K4E-TF*	ZF 18 K4E-TF*	ZF 24 K4E-TW*	ZF 33 K4E-TW*	ZF 40 K4E-TW*	ZF 48 K4E-TW*	ZS 15 K4E-TF*	ZS 19 K4E-TF*	ZS 21 K4E-TF*	ZS 26 K4E-TF*	ZS 30 K4E-TF*	ZS 38 K4E-TF*	ZS 45 K4E-TF*	ZS 56 K4E-TW*	ZS 75 K4E-TW*	ZS 92 K4E-TW*	ZS 11 M4E-TW*	
	Rotalock adapter with gasket, brazing to Rotalock, Suction	3/4" o. 5/8" => 1 1/4" - 12	8026957	1	1	1	1								1	1	1	1								
	Kit Rotalock adapter with gaskets, brazing to Rotalock, Suction / Discharge	5/8" o. 3/4" => 1 1/4" - 12 1/2" => 1" - 14	8030314	1	1	1	1								1	1	1	1								
3	Rotalock adapter, brazing to Rotalock, Suction	3/4" o. 7/8" => 1 1/4" - 12	8014358					1	1	1										1	1	1				
	Gasket		2495939					1	1	1										1	1	1				
	Rotalock adapter with gasket, brazing to Rotalock, Suction	3/4" o. 7/8" => 1 1/4" - 12	8026935					1	1	1										1	1	1				
	Kit Rotalock adapter with gaskets, brazing to Rotalock, Suction / Discharge	3/4" o. 7/8" => 1 1/4" - 12 1/2" => 1" - 14	8030303					1	1	1										1	1	1				
3	Rotalock adapter, brazing to Rotalock, Discharge	3/4" o. 7/8" => 1 1/4" - 12	8014358								1	1	1										1	1	1	
	Gasket		2495939								1	1	1										1	1	1	
	Kit Rotalock adapter with gaskets, brazing to Rotalock, Discharge	3/4" o. 7/8" => 1 1/4" - 12	8026935								1	1	1										1	1	1	
3	Rotalock adapter, brazing to Rotalock, Suction	1 3/8" => 1 3/4" - 12	8515146								1	1	1										1	1	1	
	Rotalock adapter with gaskets, brazing to Rotalock, Suction	1 3/8" => 1 3/4" - 12	8515146								1	1	1										1	1	1	
	Gasket		2050772								1	1	1										1	1	1	
	Kit Rotalock adapter with gaskets, brazing to Rotalock, Suction / Discharge	1 3/8" => 1 3/4" - 12 3/4" o. 7/8" - 1 1/4" - 12	8515157								1	1	1										1	1	1	
3	Rotalock adapter, brazing to Rotalock, Discharge	1 1/4" => 1 3/4" - 12	2857268											1												1
	Gasket		2050772											1												1
	Rotalock adapter with gaskets, brazing to Rotalock, Discharge	1 1/4" => 1 3/4" - 12	8515168											1												1
3	Rotalock adapter, brazing to Rotalock, Suction	1 5/8" => 2 1/4" - 12	8508484											1												1
	Gasket		8506819											1												1
	Rotalock adapter with gasket, brazing to Rotalock, Suction	1 5/8" => 2 1/4" - 12	8515179											1												1
	Kit Rotalock adapter with gaskets, brazing to Rotalock, Suction / Discharge	1 5/8" => 2 1/4" - 12 1 1/4" => 1 3/4" - 12	8515180											1												1
4	Rotalock adapter, Rotalock to brazing, straight, Discharge	1" - 14 => 1/2"	8016047	1	1	1	1	1	1	1					1	1	1	1	1	1	1	1				
	Kit Rotalock adapter, with adapter-nut and gasket, Rotalock to brazing, straight, Discharge	1" - 14 => 1/2"	8031408	1	1	1	1	1	1	1					1	1	1	1	1	1	1	1				
4	Rotalock adapter, Rotalock to brazing, straight, Suction	1 1/4" - 12 => 3/4"	8016069	1	1	1	1								1	1	1	1								
	Kit Rotalock adapter, with adapter-nut and gasket, Rotalock to brazing, straight, Suction	1 1/4" - 12 => 3/4"	8031419	1	1	1	1								1	1	1	1								
4	Rotalock adapter, Rotalock to brazing, straight, Suction	1 1/4" - 12 => 7/8"	8016070					1	1	1										1	1	1				

Diagram No.	Description		Part No.	ZF 06 K4E-TF*	ZF 08 K4E-TF*	ZF 09 K4E-TF*	ZF 11 K4E-TF*	ZF 13 K4E-TF*	ZF 15 K4E-TF*	ZF 18 K4E-TF*	ZF 24 K4E-TW*	ZF 33 K4E-TW*	ZF 40 K4E-TW*	ZF 48 K4E-TW*	ZS 15 K4E-TF*	ZS 19 K4E-TF*	ZS 21 K4E-TF*	ZS 26 K4E-TF*	ZS 30 K4E-TF*	ZS 38 K4E-TF*	ZS 45 K4E-TF*	ZS 56 K4E-TW*	ZS 75 K4E-TW*	ZS 92 K4E-TW*	ZS 11 M4E-TW*	
	Kit Rotalock adapter, with adapter-nut and gasket, Rotalock to brazing, straight, Suction	1 1/4" - 12 => 7/8"	8031420					1	1	1										1	1	1				
4	Rotalock adapter, Rotalock to brazing, straight, Discharge	1 1/4" - 12 => 3/4"	8016069								1	1	1										1	1	1	
	Kit Rotalock adapter, with adapter-nut and gasket, Rotalock to brazing, straight, Discharge	1 1/4" - 12 => 3/4"	8031419								1	1	1										1	1	1	
4	Rotalock adapter, Rotalock to brazing, straight, Suction	1 3/4" - 12 => 1 1/8"	8016081								1	1	1										1	1	1	
	Kit Rotalock adapter, with adapter-nut and gasket, Rotalock to brazing, straight, Suction	1 3/4" - 12 => 1 1/8"	8031431								1	1	1										1	1	1	
	Kit Rotalock adapter, with adapter-nuts and gaskets, Rotalock to brazing, straight, Suction / Discharge	1 3/4" - 12 => 1 1/8"; 1 1/4" - 12 => 3/4"	8510641								1	1	1										1	1	1	
4	Rotalock adapter, Rotalock to brazing, straight, Discharge	1 3/4" - 12 => 1 1/8"	8016081											1												1
	Kit Rotalock adapter, with adapter-nut and gasket, Rotalock to brazing, straight, Discharge	1 3/4" - 12 => 1 1/8"	8031431											1												1
4	Rotalock adapter, Rotalock to brazing, straight, Suction	2 1/4" - 12 => 42 mm	8507210											1												1
	Kit Rotalock adapter, with adapter-nut and gasket, Rotalock to brazing, straight, Suction	2 1/4" - 12 => 42 mm	8514165											1												1
	Kit Rotalock adapter, with adapter-nuts and gaskets, Rotalock to brazing, straight, Suction / Discharge	2 1/4" - 12 => 1 5/8"; 1 3/4" - 12 => 1 1/8"	8514176											1												1
5	Adapter-nut, Discharge		8016092	1	1	1	1	1	1	1					1	1	1	1	1	1	1	1				
	Gasket		2495928	1	1	1	1	1	1	1					1	1	1	1	1	1	1	1				
5	Adapter-nut, Suction		8015760	1	1	1	1								1	1	1	1								
	Gasket		2495939	1	1	1	1								1	1	1	1								
5	Adapter-nut, Suction		8015760					1	1	1											1	1	1			
	Gasket		2495939					1	1	1											1	1	1			
5	Adapter-nut, Discharge		8015760								1	1	1													1
	Gasket		2495939								1	1	1													1
5	Adapter-nut, Suction	1 3/4" - 12 => 1 3/8"	8015759								1	1	1													1
	Gasket		2050772								1	1	1													1
5	Adapter-nut, Discharge	1 3/4" - 12 => 1 3/8"	8015759											1												1
	Gasket		2050772											1												1
5	Adapter-nut, Suction	2 1/4" - 12	8506795											1												1
	Gasket		8506819											1												1
6	Rotalock adapter, Rotalock to brazing, angled, Discharge	1" - 14 => 1/2"	2828202	1	1	1	1	1	1	1					1	1	1	1	1	1	1	1				

Diagram No.	Description		Part No.	ZF 06 K4E-TF*	ZF 08 K4E-TF*	ZF 09 K4E-TF*	ZF 11 K4E-TF*	ZF 13 K4E-TF*	ZF 15 K4E-TF*	ZF 18 K4E-TF*	ZF 24 K4E-TW*	ZF 33 K4E-TW*	ZF 40 K4E-TW*	ZF 48 K4E-TW*	ZS 15 K4E-TF*	ZS 19 K4E-TF*	ZS 21 K4E-TF*	ZS 26 K4E-TF*	ZS 30 K4E-TF*	ZS 38 K4E-TF*	ZS 45 K4E-TF*	ZS 56 K4E-TW*	ZS 75 K4E-TW*	ZS 92 K4E-TW*	ZS 11 M4E-TW*
	Gasket		2495928	1	1	1	1	1	1	1					1	1	1	1	1	1	1				
	Kit Rotalock adapter with gasket, Rotalock to brazing, angled, Discharge	1" - 14 => 1/2"	8031442	1	1	1	1	1	1	1					1	1	1	1	1	1	1				
6	Rotalock adapter, Rotalock to brazing, angled, Suction	1 1/4" - 12 => 3/4"	2828199	1	1	1	1								1	1	1	1							
	Gasket		2495939	1	1	1	1								1	1	1	1							
	Kit Rotalock adapter with gasket, Rotalock to brazing, angled, Suction	1 1/4" - 12 => 3/4"	8031453	1	1	1	1								1	1	1	1							
6	Rotalock adapter, Rotalock to brazing, angled, Suction	1 1/4" - 12 => 7/8" 90°	2854021					1	1	1									1	1	1				
	Gasket		2495939					1	1	1									1	1	1				
	Kit Rotalock adapter with gasket, Rotalock to brazing, angled, Suction	1 1/4" - 12 => 3/4"	8031453					1	1	1									1	1	1				
6	Rotalock adapter, Rotalock to brazing, angled, Discharge	1 1/4" - 12 => 3/4"	2828199								1	1	1									1	1	1	
	Gasket		2495939								1	1	1									1	1	1	
	Kit Rotalock adapter with gasket, Rotalock to brazing, angled, Discharge	1 1/4" - 12 => 3/4"	8031453								1	1	1									1	1	1	
6	Rotalock adapter, Rotalock to brazing, angled, Suction	1 3/4" - 12 => 1 1/8"	3054744								1	1	1									1	1	1	
	Gasket		2050772								1	1	1									1	1	1	
	Kit Rotalock adapter with gasket, Rotalock to brazing, angled, Suction	1 3/4" - 12 => 1 1/8"	8031475								1	1	1									1	1	1	
7	Kit mounting parts, damper,sleeves and spacer (single compressor)		8000822	1	1	1	1	1	1	1					1	1	1	1	1	1	1	1			
8	Kit mounting parts, damper,sleeves and spacer (single compressor)		8502895								1	1	1	1								1	1	1	1
9	Kit mounting parts for 1 compressor, multiple operation (rubber)		8030450	1	1	1	1	1	1	1					1	1	1	1	1	1	1	1			
10	Kit mounting parts for 1 compressor, multiple operation (steel)		8522911								1	1	1	1								1	1	1	1
11	Kit discharge gas thermostat with clip, external	T.O.D, 37TJ31 x 1976E, 240 V	2981196	1	1	1	1	1	1	1					1	1	1	1	1	1	1				
12	Module for motor protection	Kriwan, 24 V, DC, INT 69 SC, 13 A 196	8513775								1	1	1	1								1	1	1	1
12	Module for motor protection	Kriwan, 24 V, 50/60 Hz, INT 69 SC, 31 A 196	8503081								1	1	1	1								1	1	1	1
12	Module for motor protection	Kriwan, 115 V, 50/60 Hz, INT 69 SC, 41 A 196	8502737								1	1	1	1								1	1	1	1

Diagram No.	Description		Part No.	ZF 06 K4E-TF*	ZF 08 K4E-TF*	ZF 09 K4E-TF*	ZF 11 K4E-TF*	ZF 13 K4E-TF*	ZF 15 K4E-TF*	ZF 18 K4E-TF*	ZF 24 K4E-TW*	ZF 33 K4E-TW*	ZF 40 K4E-TW*	ZF 48 K4E-TW*	ZS 15 K4E-TF*	ZS 19 K4E-TF*	ZS 21 K4E-TF*	ZS 26 K4E-TF*	ZS 30 K4E-TF*	ZS 38 K4E-TF*	ZS 45 K4E-TF*	ZS 56 K4E-TW*	ZS 75 K4E-TW*	ZS 92 K4E-TW*	ZS 11 M4E-TW*	
12	Module for motor protection	Kriwan, 120/240 V, 50/60 Hz INT 69 SCY, 22 A 197	8522900								1	1	1	1									1	1	1	1
12	Module for motor protection	Kriwan, 230 V, 50/60 Hz, INT 69 SC, 52 A 196	8500582								1	1	1	1									1	1	1	1
13	Terminal box cover		8019808	1	1	1	1								1	1	1	1								
	Gasket for terminal box cover		8019831	1	1	1	1								1	1	1	1								
14	Terminal box cover		8031657					1	1	1										1	1	1				
	Gasket for terminal box cover		8811322					1	1	1										1	1	1				
	Terminal box (metal)		8500559								1	1	1	1									1	1	1	1
15	Terminal box cover (metal)		8500275								1	1	1	1									1	1	1	1
15	Terminal box (plastic)-since September '97 until January '00		8508633								1	1	1	1									1	1	1	1
15	Terminal box (plastic)-since February '00		8528599								1	1	1	1									1	1	1	1
15	Terminal box cover (plastic)-since September '97		8537382								1	1	1	1									1	1	1	1
	Terminal box and cover (plastic) -until January '00		8510561								1	1	1	1									1	1	1	1
	Terminal box and cover (plastic)-until January '00		8528588								1	1	1	1									1	1	1	1
	Kit terminal box (plastic)-until January '00		8518985								1	1	1	1									1	1	1	1
	Kit terminal box (plastic)-since February '00		8535217								1	1	1	1									1	1	1	1
	Gasket for terminal box cover (for metal box)		8500355								1	1	1	1									1	1	1	1
	Terminal box screw and washer (for metal box)		8500640								4	4	4	4									4	4	4	4
	Terminal box nut (for plastic-box)		2449889								3	3	3	3									3	3	3	3
	Terminal box washer (for plastic-box)		2947930								3	3	3	3									3	3	3	3
	Kit grounding screw		8031486	1	1	1	1	1	1	1					1	1	1	1	1	1	1	1				
	Kit groundig screw for terminal box (for metal box)		8500640								1	1	1	1									1	1	1	1
	Terminal box grounding nut (for plastic box)		2488039								2	2	2	2									2	2	2	2
	Terminal box grounding washer (for plastic box)		2947930								1	1	1	1									1	1	1	1
16	Terminal block, old (Serial No. 96E and earlier)		8801650					1	1	1										1	1	1				
	Terminal block screw, old	10 - 32 UNF x 1/2"	8020084					3	3	3										3	3	3				
16	Terminal block until February '00		2045356								1	1											1	1		
16	Terminal block from March '00		2532252									1	1										1	1		
16	Terminal block		8007776										1	1											1	1
	Terminal block screw		8530074								3	3	3	3									3	3	3	3
17	Terminal block, only for TF5, new (serial no. 96F and later)		8031715					1	1	1										1	1	1				
17	Terminal block, only for TFD, new (serial no. 96F and later)		8804353					1	1	1										1	1	1				

Diagram No.	Description		Part No.	ZF 06 K4E-TF*	ZF 08 K4E-TF*	ZF 09 K4E-TF*	ZF 11 K4E-TF*	ZF 13 K4E-TF*	ZF 15 K4E-TF*	ZF 18 K4E-TF*	ZF 24 K4E-TW*	ZF 33 K4E-TW*	ZF 40 K4E-TW*	ZF 48 K4E-TW*	ZS 15 K4E-TF*	ZS 19 K4E-TF*	ZS 21 K4E-TF*	ZS 26 K4E-TF*	ZS 30 K4E-TF*	ZS 38 K4E-TF*	ZS 45 K4E-TF*	ZS 56 K4E-TW*	ZS 75 K4E-TW*	ZS 92 K4E-TW*	ZS 11 M4E-TW*	
	Terminal block screw	10 - 32 UNF x 1/2"	8020084					3	3	3										3	3	3				
18	Capillary set, enclosing clamp R 404A / R 507 / R 134a / R 22	0.036" x 100"	8039435	1																						
18	Capillary set, enclosing clamp R 404A / R 507 / R 134a / R 22	0.036" x 60"	8039446		1																					
18	Capillary set, enclosing clamp R 404A / R 507 / R 134a	0.042" x 70"	8029649			1																				
18	Capillary set, enclosing clamp R 404A / R 507 / R 134a	0.042" x 50"	8029650				1																			
18	Capillary set, enclosing clamp R 404A / R 507 / R 134a	0.042" x 40"	8029661					1																		
18	Capillary set, enclosing clamp R 404A / R 507 / R 134a	0.042" x 30"	8029672						1																	
18	Capillary set, enclosing clamp R 404A / R 507 / R 134a	0.042" x 20"	8029683							1																
18	Capillary set, enclosing clamp R 404A / R 507	0.050" x 30"	8516989								1															
18	Capillary set, enclosing clamp R 404A / R 507	0.050" x 17.5"	8509943									1														
18	Capillary set, enclosing clamp R 404A / R 507 / R 22	0.070" x 30"	8519284										1													
18	Capillary set, enclosing clamp R 404A / R 507	0.070" x 30"	8519284											1												
18	Capillary set, enclosing clamp R 22	0.042" x 30"	8029672	1	1	1	1																			
18	Capillary set, enclosing clamp R 22	0.042" x 10"	8030336					1																		
18	Capillary set, enclosing clamp R 22	0.042" x 5"	8030325						1																	
18	Capillary set, enclosing clamp R 22	0.050" x 5"	8509954							1	1	1														
18	Capillary set, enclosing clamp R 22	0.070" x 10"	8527405											1												
	Clamp for capillary set	13/16" - 1 1/2", 21 - 38 mm	8029718	1	1	1	1	1	1	1	1	1	1	1												
18	Solenoid valve 6 mm, 24 V, 50/60 Hz ALCO CONTROLS		8030494	1	1	1	1	1	1	1	1	1	1	1												
18	Solenoid valve 1/4", 24 V, 50/60 Hz ALCO CONTROLS		8032183	1	1	1	1	1	1	1	1	1	1	1												
18	Solenoid valve 6 mm, 120 V, 50/60 Hz ALCO CONTROLS		8030483	1	1	1	1	1	1	1	1	1	1	1												
18	Solenoid valve 1/4", 120 V, 50/60 Hz ALCO CONTROLS		8032194	1	1	1	1	1	1	1	1	1	1	1												
18	Solenoid valve 6 mm, 230 V, 50/60 Hz ALCO CONTROLS		2981481	1	1	1	1	1	1	1	1	1	1	1												
18	Solenoid valve 1/4", 230 V, 50/60 Hz ALCO CONTROLS		8032207	1	1	1	1	1	1	1	1	1	1	1												
	Solenoid coil 24 V, 50/60 Hz ALCO CONTROLS		2945707	1	1	1	1	1	1	1	1	1	1	1												
	Solenoid coil 120 V, 50/60 Hz ALCO CONTROLS		2882357	1	1	1	1	1	1	1	1	1	1	1												
	Solenoid coil 230 V, 50/60 Hz ALCO CONTROLS		2945683	1	1	1	1	1	1	1	1	1	1	1												
	Filter drier 6 mm, ADK-Plus ALCO CONTROLS		2981356	1	1	1	1	1	1	1	1	1	1	1												
	Filter drier 1/4", ADK-Plus ALCO CONTROLS		8032218	1	1	1	1	1	1	1	1	1	1	1												
	DTC-valve assy for compressors with BM-no. 556		8530541	1	1	1	1	1	1	1																
	Gasket, O-ring for DTC-valve		8536083	1	1	1	1	1	1	1																
	Filter for DTC-valve		8530552	1	1	1	1	1	1	1																

Diagram No.	Description		Part No.	ZF 06 K4E-TF*	ZF 08 K4E-TF*	ZF 09 K4E-TF*	ZF 11 K4E-TF*	ZF 13 K4E-TF*	ZF 15 K4E-TF*	ZF 18 K4E-TF*	ZF 24 K4E-TW*	ZF 33 K4E-TW*	ZF 40 K4E-TW*	ZF 48 K4E-TW*	ZS 15 K4E-TF*	ZS 19 K4E-TF*	ZS 21 K4E-TF*	ZS 26 K4E-TF*	ZS 30 K4E-TF*	ZS 38 K4E-TF*	ZS 45 K4E-TF*	ZS 56 K4E-TW*	ZS 75 K4E-TW*	ZS 92 K4E-TW*	ZS 11 M4E-TW*		
	Spring coil for DTC-valve		8813986	1	1	1	1	1	1	1																	
	Protection cap for bulb DTC-valve		8814490	1	1	1	1	1	1	1																	
	Top cap for tube hole (when bulb from DTC-valve not mounted)		8813997	1	1	1	1	1	1	1																	
19	Current relay	Kriwan INT 215,Type K 35	2982097	1	1	1	1	1	1	1																	
20	Economizer	SWEP B 8x10,4x1/2"	8028088	1	1	1	1	1	1	1																	
	Reduction piece for economizer, brazing connection		8028077	2	2	2	2	2	2	2																	
20	Economizer	SWEP B 10x16x1 1/8"	8504471								1	1	1	1													
	Oil sight glass	3/4" - 14 NPTF	8026844	1	1	1	1	1	1	1	1	1	1	1	1	1	1	1	1	1	1	1	1	1	1	1	1
	Oil equalization line for 1 compressor, staight (adapters, adapter-nut, gasket)	3/4" NPTF => I.D. 7/8"	8538318	1	1	1	1	1	1	1	1	1	1	1	1	1	1	1	1	1	1	1	1	1	1	1	1
	Oil equalization line for 1 compressor, angled (adapters, adapter-nut, gasket)	3/4"- 14 NPTF => I.D. 7/8" 90°	8538669	1	1	1	1	1	1	1	1	1	1	1	1	1	1	1	1	1	1	1	1	1	1	1	1
	Adapter oil sight glass to Rotalock (oil equalization line) for multiple operation	3/4" - 14 NPTF => 1 1/4" - 12	8538307	1	1	1	1	1	1	1	1	1	1	1	1	1	1	1	1	1	1	1	1	1	1	1	1
	Adapter Rotalock to brazing, straight (oil equalization line) for multiple operation	1 1/4" - 12 => 7/8"	8016070	1	1	1	1	1	1	1	1	1	1	1	1	1	1	1	1	1	1	1	1	1	1	1	1
	Adapter Rotalock to brazing, angled (oil equalization line) for multiple operation	1 1/4" - 12 => 7/8" 90°	2854021	1	1	1	1	1	1	1	1	1	1	1	1	1	1	1	1	1	1	1	1	1	1	1	1
	Adapter-nut (oil equalization line) for multiple operation		8015760	1	1	1	1	1	1	1	1	1	1	1	1	1	1	1	1	1	1	1	1	1	1	1	1
	Gasket for adapter (oil equalization line) for multiple operation		2495939	1	1	1	1	1	1	1	1	1	1	1	1	1	1	1	1	1	1	1	1	1	1	1	1
	Oil regulating system, complete ALCO OMA TraxOil	OMA-CCA	8510323	1	1	1	1	1	1	1	1	1	1	1	1	1	1	1	1	1	1	1	1	1	1	1	1
	Transformer for oil regulating system ALCO OMA TraxOil	ETC-523	8527518	1	1	1	1	1	1	1	1	1	1	1	1	1	1	1	1	1	1	1	1	1	1	1	1
	Sound blanket		8537155	1	1	1	1								1	1	1	1									
	Sound blanket		8537166					1	1	1										1	1	1					
	Sound blanket		8537177								1	1	1	1									1	1	1	1	1