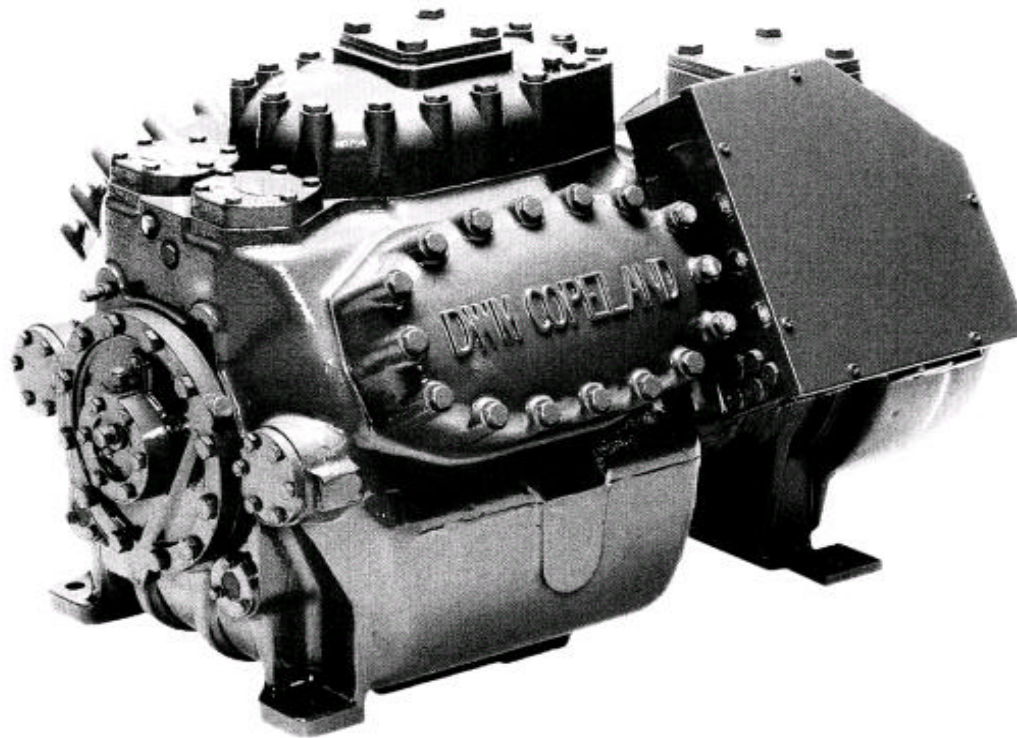
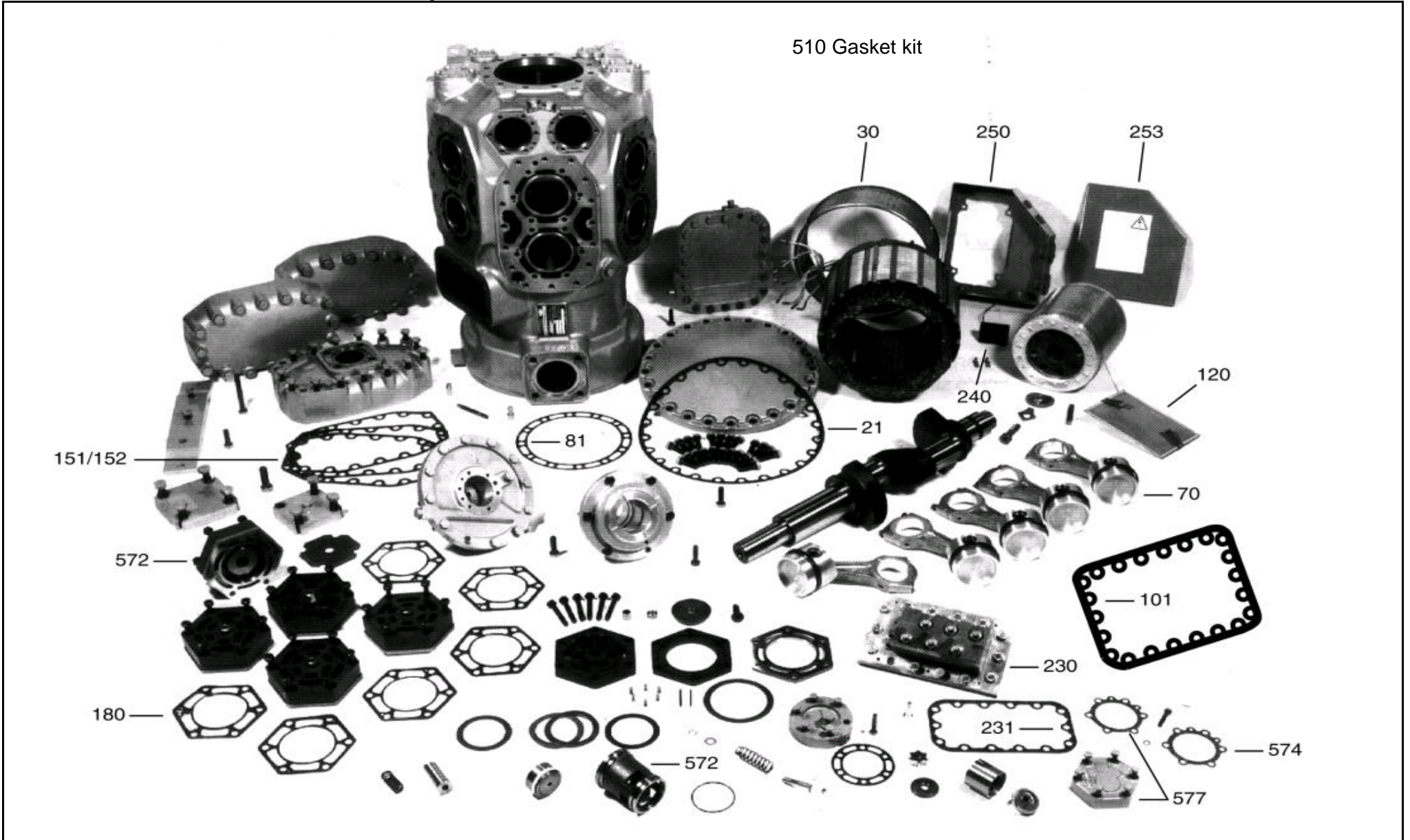

DWM COPELAND

Spare Parts List for
Motor Compressors

D6C



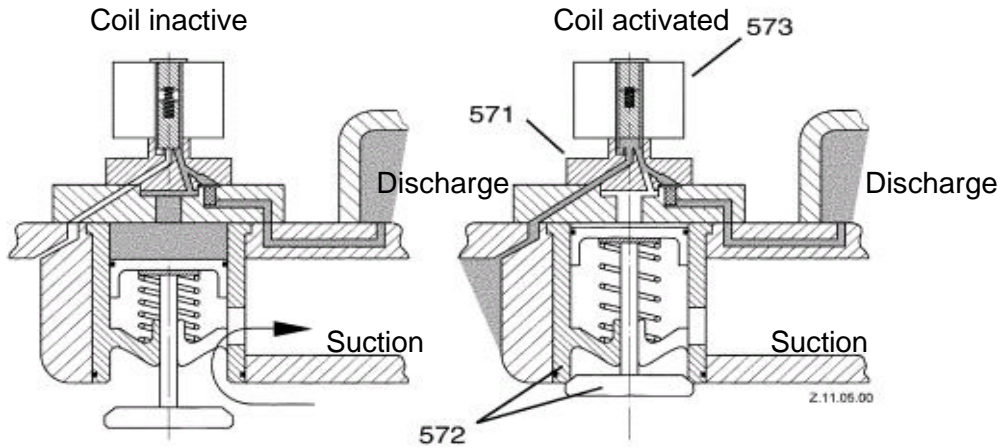
04/02



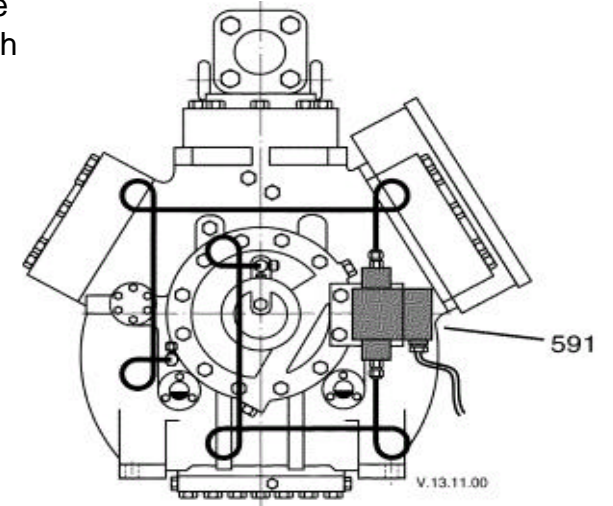
Exploded Views of Accessories

D6C

570 Capacity control



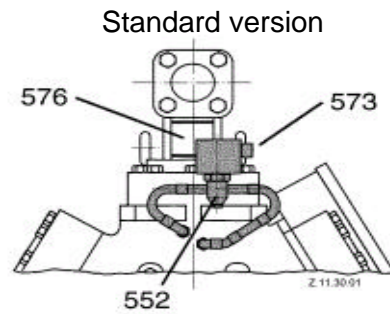
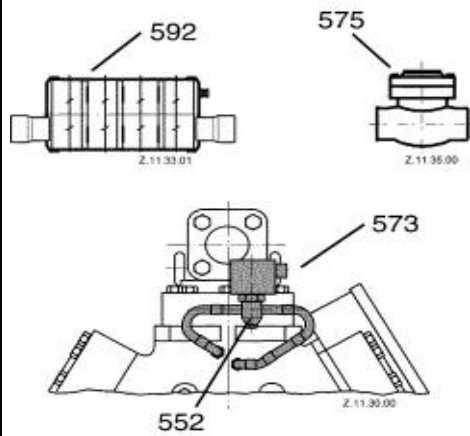
590 Oil pressure safety switch



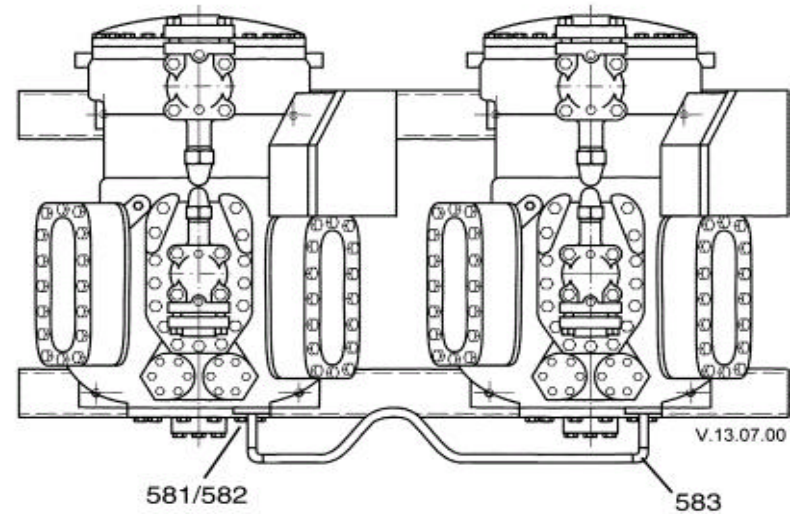
550 Unloaded start devices

A muffler and a check valve in the discharge line **are** required !

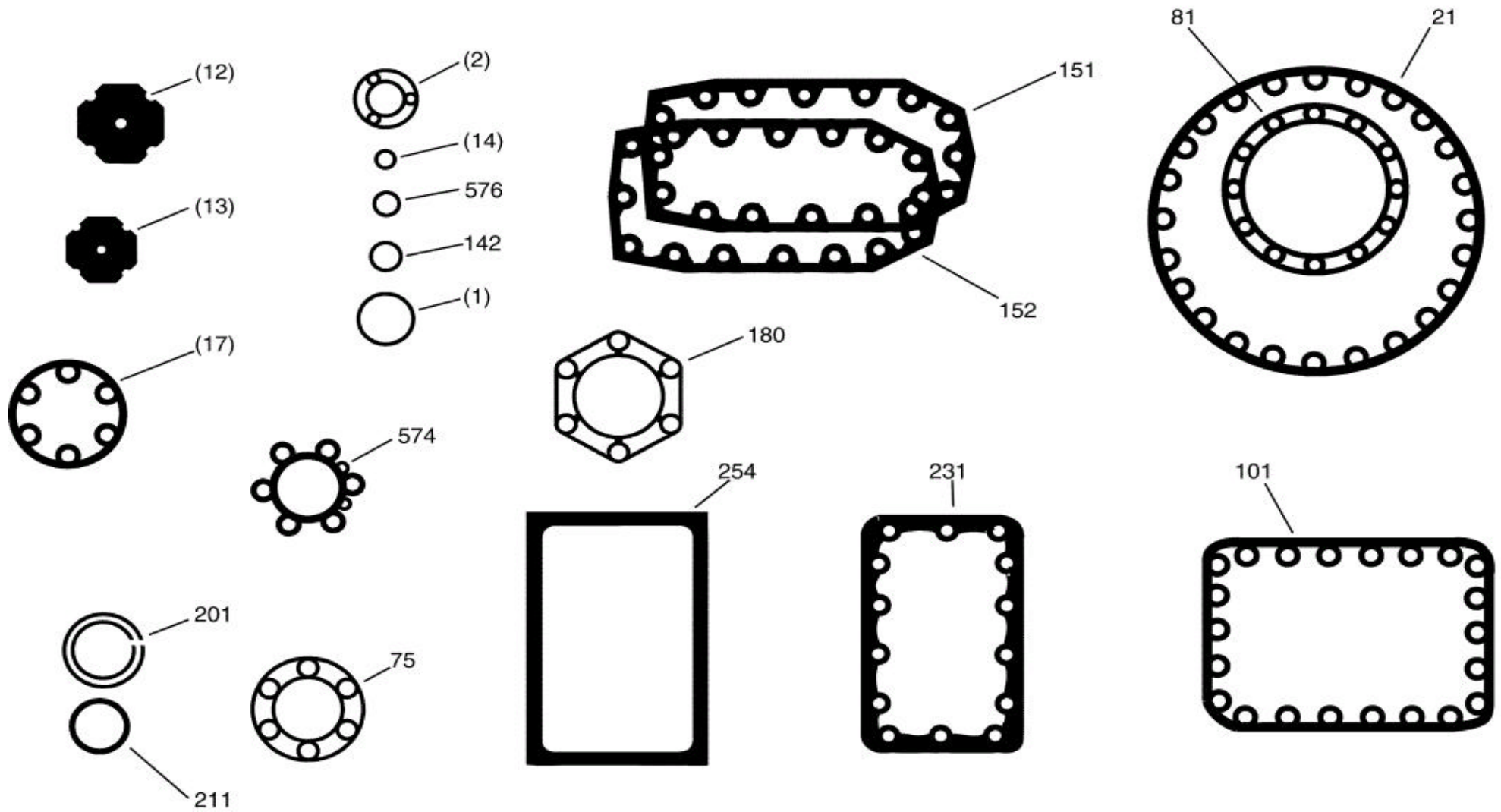
A muffler and a check valve in the discharge line **are not** required !



580 Oil balance tube for 2 compressors



510 Gasket kit



Compressors marked with a "X" in the model name, e.g. D6CN*-800X, are charged with ester oil and have the same parts as the standard compressors.

Diagram No.	Description	Part No.	D6CK*- 6000	D6CM*- 7000	D6CN*- 8000	D6CK*- 500X	D6CM*- 600X	D6CN*- 700X	D6CK*- 600X	D6CM*- 700X	D6CN*- 800X
11	Central main bearing (including 6 bolts)	7703297	1	1	1	1	1	1	1	1	1
21	Gasket for stator cover	7701780	1	1	1	1	1	1	1	1	1
21/30	Suction screen with gasket for stator cover	7703184	1	1	1	1	1	1	1	1	1
30	Suction screen	7700823	1	1	1	1	1	1	1	1	1
40	Motor unit 60 HP FSM/D	7702998	1			1	1		1		
40	Motor unit 70 HP FSM/D	7703004		1				1		1	
40	Motor unit 80 HP FSM	7703015			1						1
60	Crankshaft	7703208	1			1					
60	Crankshaft	7703219		1			1			1	
60	Crankshaft	7703220			1						1
70	Piston con-rod assy, (2 pieces)	7701075	3			3			3		
70	Piston con-rod assy, (2 pieces)	7701097		3			3			3	
70	Piston con-rod assy, (2 pieces)	7701100			3			3			3
71	Piston ring	7701086	12	12	12	12	12	12	12	12	12
75	Gasket for oil pump housing cover	7701622	1	1	1	1	1	1	1	1	1
80	Pump end bearing assy	7701020	1	1	1	1	1	1	1	1	1
81	Gasket for oil pump housing cover	7701575	1	1	1	1	1	1	1	1	1
101	Gasket for bottom plate	7701791	1	1	1	1	1	1	1	1	1
101/120	Oil screen with gasket for bottom plate	7703195	1	1	1	1	1	1	1	1	1
120	Oil screen	7700856	1	1	1	1	1	1	1	1	1
140	Oil sight glass assy	7700878	2	2	2	2	2	2	2	2	2
142	Gasket for oil sight glass	7700845	2	2	2	2	2	2	2	2	2
151	Gasket for central cylinder head	7700958	1	1	1	1	1	1	1	1	1
152	Gasket for lateral cylinder head (1 piece)	7701155	2	2	2	2	2	2	2	2	2
180	Valve plate gasket (1 piece)	7700947	6	6	6	6	6	6	6	6	6
200/201	Suction shut-off valve with gasket, sweat 3 1/8"	7700641	1	1	1	1	1	1	1	1	1
	Suction flange assy sweat 3 1/8"	7701144	1	1	1	1	1	1	1	1	1
201	Gasket for suction shut-off valve	7700710	1	1	1	1	1	1	1	1	1
210/211	Discharge shut-off valve with gasket, sweat 2 1/8"	7700630	1	1	1	1	1	1	1	1	1
	Discharge flange assy sweat 2 1/8"	7701133	1	1	1	1	1	1	1	1	1
211	Gasket for discharge shut-off valve	7700696	1	1	1	1	1	1	1	1	1
	Discharge gas sensor assy	7701064	1	1	1	1	1	1	1	1	1
230	Terminal plate assy	7700969	1	1	1	1	1	1	1	1	1

Compressors marked with a "X" in the model name, e.g. D6CN*-800X, are charged with ester oil and have the same parts as the standard compressors.

Diagram No.	Description	Part No.	D6CK*- 6000	D6CM*- 7000	D6CN*- 8000	D6CK*- 500X	D6CM*- 600X	D6CN*- 700X	D6CK*- 600X	D6CM*- 700X	D6CN*- 800X
231	Gasket for terminal plate	7701439	1	1	1	1	1	1	1	1	1
240	Module for thermistor-protection Kriwan INT 69 TM internal 24 V, DC	2832476	1	1	1	1	1	1	1	1	1
240	Module for thermistor-protection Kriwan INT 69 TM internal 24 V, AC	2831553	1	1	1	1	1	1	1	1	1
240	Module for thermistor-protection Kriwan INT 69 TM internal 110 V, AC	2831326	1	1	1	1	1	1	1	1	1
240	Module for thermistor-protection Kriwan INT 69 TM internal 220 V, AC	2919411	1	1	1	1	1	1	1	1	1
240	Module for thermistor-protection Kriwan INT 69 TM internal 200-260 V, AC	2940973	1	1	1	1	1	1	1	1	1
250	Terminal box assy	7701042	1	1	1	1	1	1	1	1	1
253	Cover for terminal box	7701644	1	1	1	1	1	1	1	1	1
	Gasket for terminal box	7701666	1	1	1	1	1	1	1	1	1
	Gasket for terminal cover	7701655	1	1	1	1	1	1	1	1	1
500	Valve plate assy	7701111	6	6	6	6	6	6	6	6	6
510	Gasket kit	7701826	1	1	1	1	1	1	1	1	1
520	Oil pump assy	7701019	1	1	1	1	1	1	1	1	1
530	Crankcase heater 125 W, 110 V ±10 % (1 piece)	7701962	2	2	2	2	2	2	2	2	2
530	Kit crankcase heater 125 W, 110 V ±10 % (2 pieces)	7701973	1	1	1	1	1	1	1	1	1
530	Crankcase heater 125 W, 230 V ±10 % (1 piece)	7700992	2	2	2	2	2	2	2	2	2
530	Kit crankcase heater 125 W, 230 V ±10 % (2 pieces)	7701951	1	1	1	1	1	1	1	1	1
540	Mounting parts with springs (kit)	7703311	1	1	1	1	1	1	1	1	1
	Suspension kit for 1 compressor (rigid)	7700743	1	1	1	1	1	1	1	1	1
	Suspension kit for 2 compressors	7700754	1	1	1	1	1	1	1	1	1
550	Unloaded start (conversion kit) w/o check valve 24 V, 50/60 Hz ALCO CONTROLS	7703128	1	1	1	1	1	1	1	1	1
550	Unloaded start (conversion kit) w/o check valve 115 V, 50/60 Hz ALCO CONTROLS	7703117	1	1	1	1	1	1	1	1	1
550	Unloaded start (conversion kit) w/o check valve 230 V, 50/60 Hz ALCO CONTROLS	7703106	1	1	1	1	1	1	1	1	1
550	Unloaded start (conversion kit) with check valve (Hoerbiger) 24 V, 50/60 Hz ALCO CONTROLS	7702692	1	1	1	1	1	1	1	1	1
550	Unloaded start (conversion kit) with check valve (Hoerbiger) 115 V, 50/60 Hz ALCO CONTROLS	7702705	1	1	1	1	1	1	1	1	1
550	Unloaded start (conversion kit) with check valve (Hoerbiger) 230 V, 50/60 Hz ALCO CONTROLS	7702716	1	1	1	1	1	1	1	1	1
550	Unloaded start (conversion kit) with check valve (Castel) and muffler 24 V, 50/60 Hz ALCO CONTROLS	7701906	1	1	1	1	1	1	1	1	1
550	Unloaded start (conversion kit) with check valve (Castel) and muffler 115 V, 50/60 Hz ALCO CONTROLS	7701893	1	1	1	1	1	1	1	1	1
550	Unloaded start (conversion kit) with check valve (Castel) and muffler 230 V, 50/60 Hz ALCO CONTROLS	7701882	1	1	1	1	1	1	1	1	1
552	Control valve for unloaded start, w/o solenoid coil ALCO CONTROLS	7700629	1	1	1	1	1	1	1	1	1
570	Capacity control (conversion kit) 33 % reduction 24 V, 50/60 Hz ALCO CONTROLS	7700378	1	1	1	1	1	1	1	1	1
570	Capacity control (conversion kit) 66 % reduction 24 V, 50/60 Hz ALCO CONTROLS	7700378	2	2	2	2	2	2	2	2	2
570	Capacity control (conversion kit) 33 % reduction 115 V, 50/60 Hz ALCO CONTROLS	7700801	1	1	1	1	1	1	1	1	1

Compressors marked with a "X" in the model name, e.g. D6CN*-800X, are charged with ester oil and have the same parts as the standard compressors.

Diagram No.	Description	Part No.	D6CK*- 6000	D6CM*- 7000	D6CN*- 8000	D6CK*- 500X	D6CM*- 600X	D6CN*- 700X	D6CK*- 600X	D6CM*- 700X	D6CN*- 800X
570	Capacity control (conversion kit) 66 % reduction 115 V, 50/60 Hz ALCO CONTROLS	7700801	2	2	2	2	2	2	2	2	2
570	Capacity control (conversion kit) 33 % reduction 230 V, 50/60 Hz ALCO CONTROLS	7700787	1	1	1	1	1	1	1	1	1
570	Capacity control (conversion kit) 66 % reduction 230 V, 50/60 Hz ALCO CONTROLS	7700787	2	2	2	2	2	2	2	2	2
	Capacity control inactive 33 % reduction (flange and gasket)	7702841	1	1	1	1	1	1	1	1	1
	Capacity control inactive 66 % reduction (flange and gasket)	7702841	2	2	2	2	2	2	2	2	2
571	Control valve for capacity control, w/o solenoid coil ALCO CONTROLS	7700390	1	1	1	1	1	1	1	1	1
572	Cylinder with unloader piston assy	7700389	1	1	1	1	1	1	1	1	1
	Gasket, O-ring for Cylinder with unloader piston	7700505	2	2	2	2	2	2	2	2	2
573	Solenoid coil for unloaded start or capacity control 24 V, 50/60 Hz ALCO CONTROLS	7700618	1	1	1	1	1	1	1	1	1
573	Solenoid coil for unloaded start or capacity control 115 V, 50/60 Hz ALCO CONTROLS	7700607	1	1	1	1	1	1	1	1	1
573	Solenoid coil for unloaded start or capacity control 230 V, 50/60 Hz ALCO CONTROLS	7700594	1	1	1	1	1	1	1	1	1
574	Gasket for control valve capacity control	7700414	1	1	1	1	1	1	1	1	1
575	Discharge check valve 2 1/8" (Castel)	7703060	1	1	1	1	1	1	1	1	1
576	Discharge check valve 2 1/8" (Hoerbiger)	7703413	1	1	1	1	1	1	1	1	1
	Kit discharge check valve 2 1/8" (Hoerbiger) with gaskets and bolts	7702761	1	1	1	1	1	1	1	1	1
	Internal pressure relief valve with gasket	7701053	1	1	1	1	1	1	1	1	1
	Gasket, O-ring for internal pressure relief valve	7701779	1	1	1	1	1	1	1	1	1
577	Capacity control inactiv (Cover plate with gasket) 33 % reduction	7702841	1	1	1	1	1	1	1	1	1
577	Capacity control inactiv (Cover plate with gasket) 66 % reduction (1 piece)	7702841	2	2	2	2	2	2	2	2	2
580	Oil balance tube for 2 compressors, complete	7700981	1	1	1	1	1	1	1	1	1
582	Gasket for flange (1 piece)	7700845	2	2	2	2	2	2	2	2	2
	Screw M 6 x 30 (1 piece)	7701462	6	6	6	6	6	6	6	6	6
	Washer ø 6 mm (1 piece)	7701473	6	6	6	6	6	6	6	6	6
590	Oil pressure safety switch FD 113 ZU (A22-156) with 2 capillary tubes, w/o bracket ALCO CONTROLS	7700970	1	1	1	1	1	1	1	1	1
591	Oil Pressure safety switch FD 113 ZU (A22-156) ALCO CONTROLS	7701848	1	1	1	1	1	1	1	1	1
	Capillary tube with gaskets, Cu-ring (1 piece)	3808214	2	2	2	2	2	2	2	2	2
	Gasket, Cu-ring (1 piece)	2974343	4	4	4	4	4	4	4	4	4
592	Muffler	7700867	1	1	1	1	1	1	1	1	1
	Polyol Ester Oil Mobil EAL 68, 3,78 l	7703026				x	x	x	x	x	x
	Polyol Ester Oil Mobil EAL 68, 18,92 l	7703037				x	x	x	x	x	x
Appendix:	Retrofit conversion kit (only required for existing R 22 compressors with mineral oil charge when switching to chlorine free refrigerant with ester oil charge - compressors concerned were manufactured before October 1995)	7702738	1	1	1						