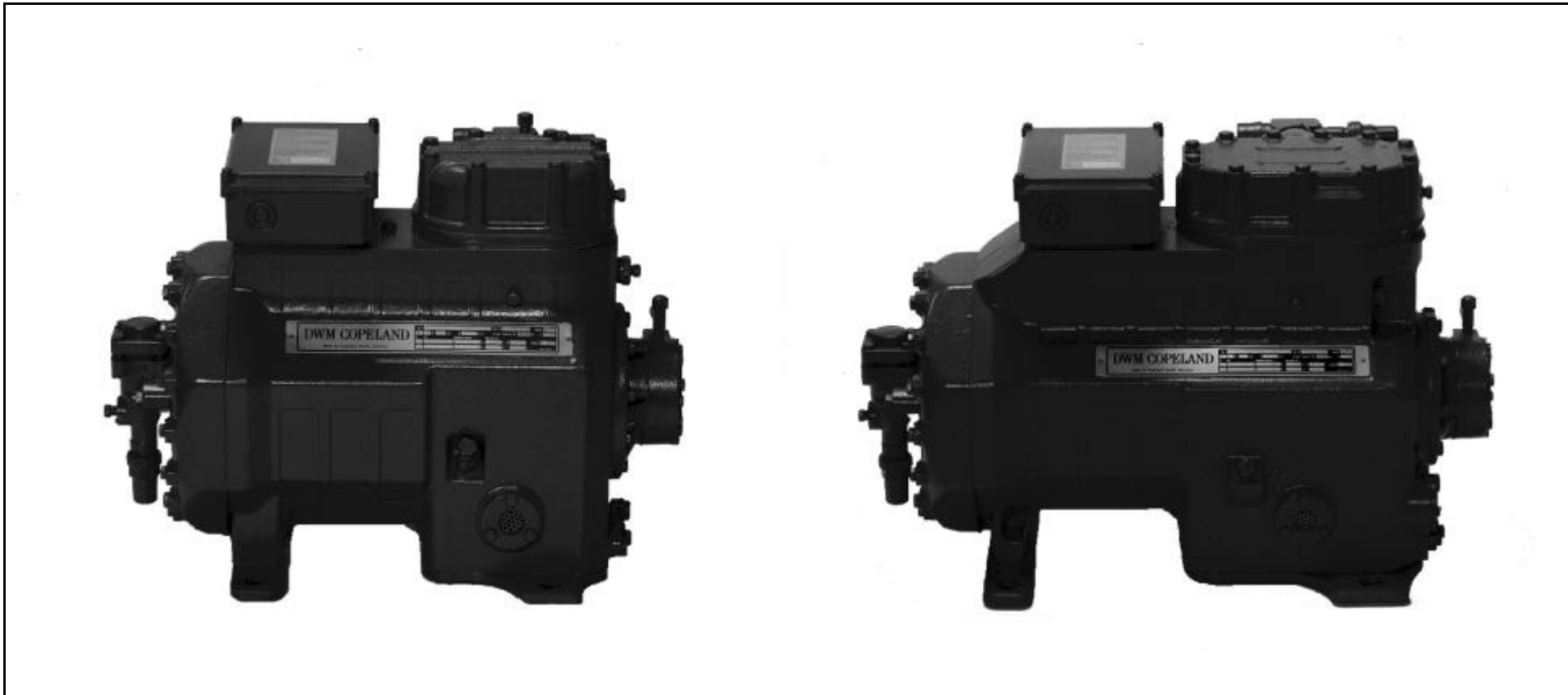

DWM COPELAND

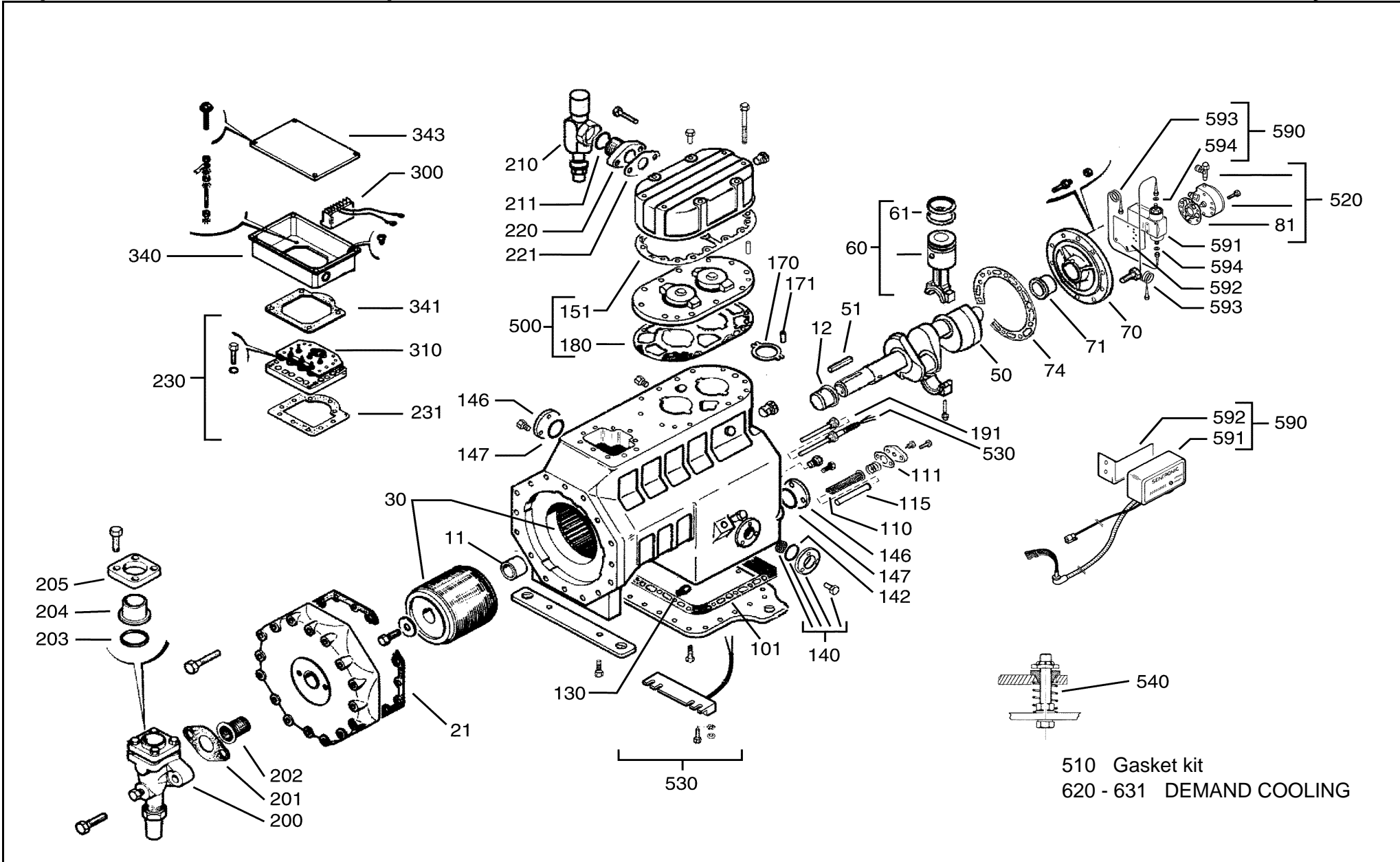
**Spare Parts List for
Motor-Compressors**

D2D, DMD, D3D.3 , D3D.4



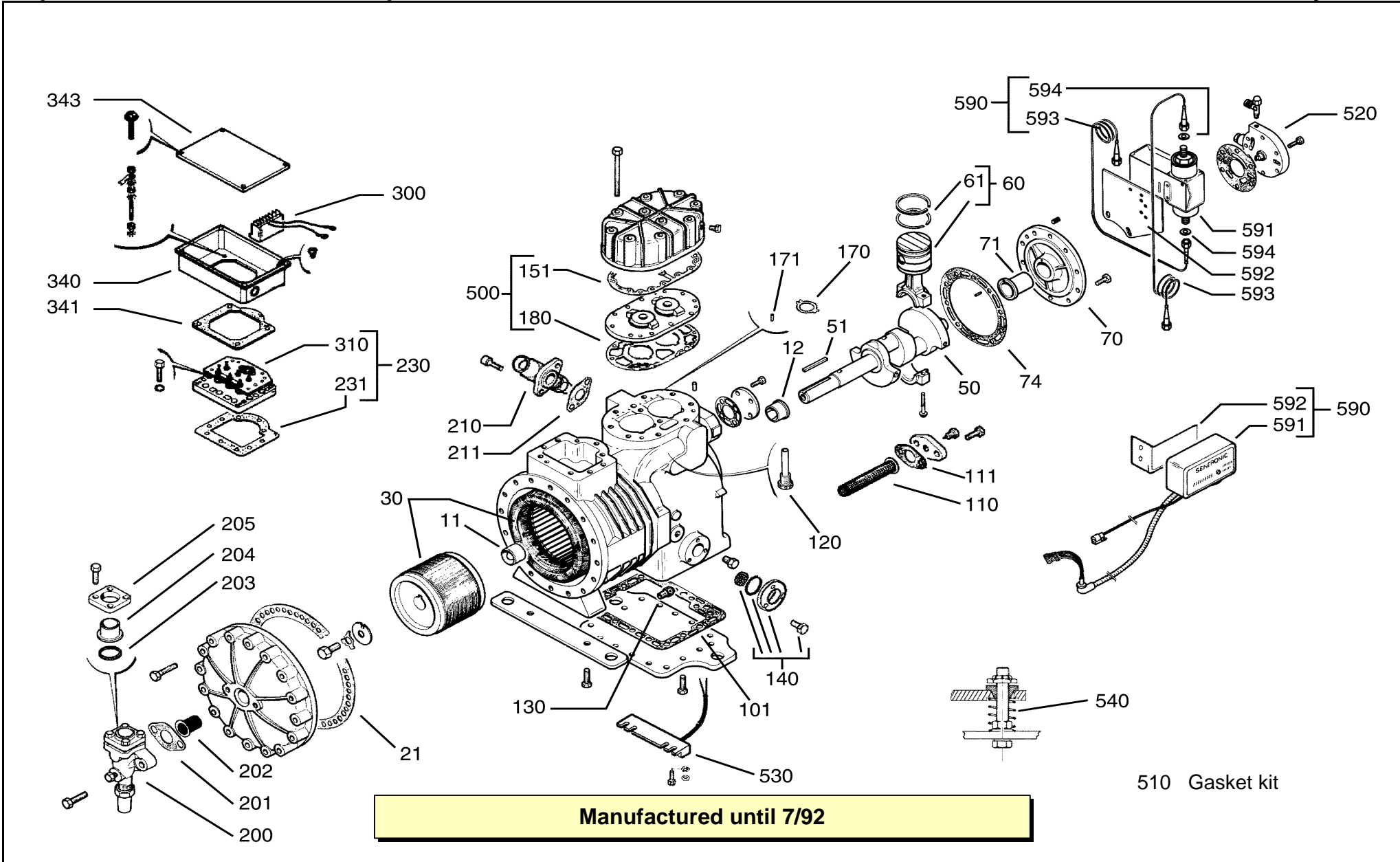
Exploded View of a Motor Compressor

D2D, DISCUS 2-Cylinder



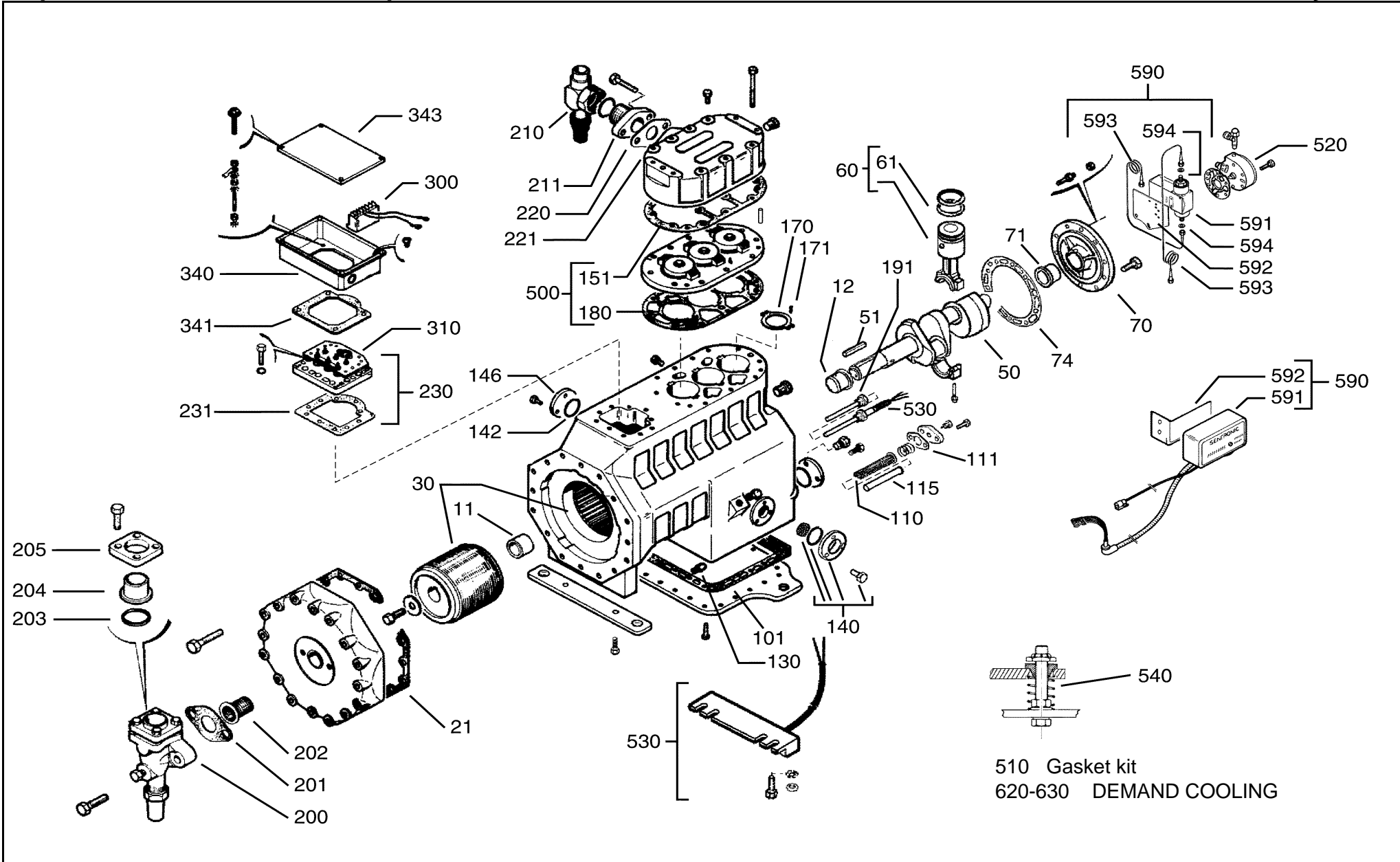
Exploded View of a Motor Compressor

DMD, DISCUS 2-Cylinder



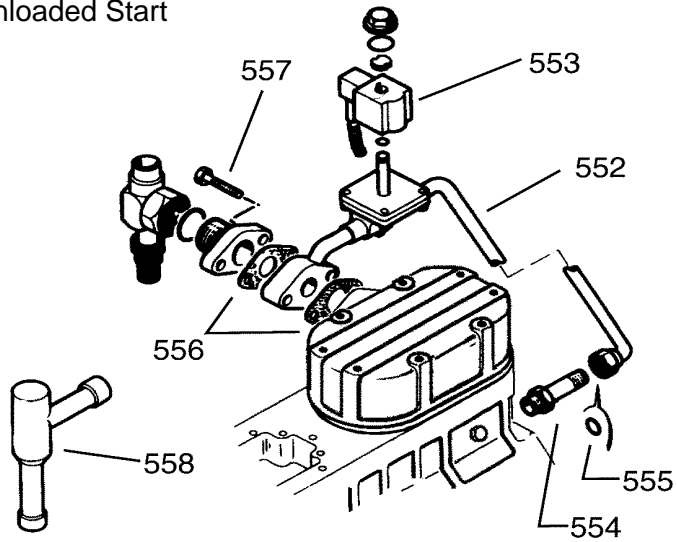
Exploded View of a Motor Compressor

D3D, DISCUS 3-Cylinder

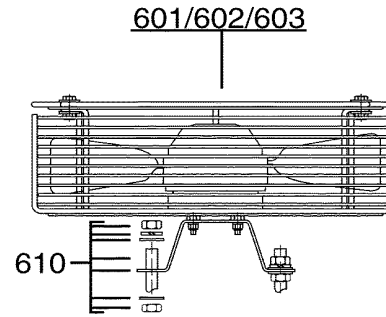


Exploded Views of Accessories

550 Unloaded Start

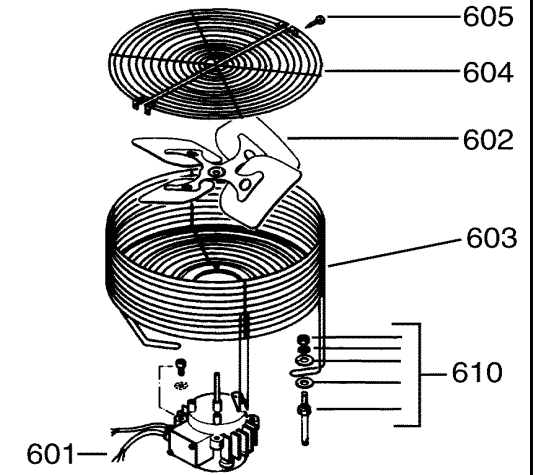


600 Additional fan EBM 75 Z from 01/96

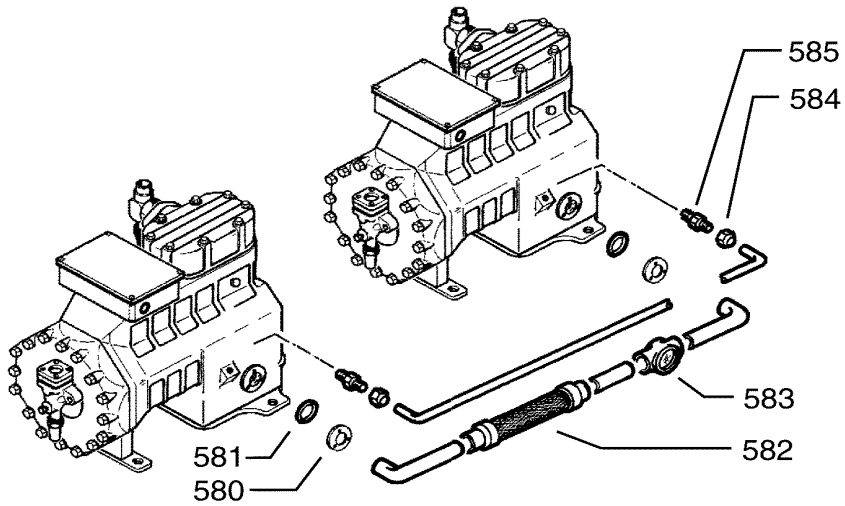


D3D, DISCUS 3-Cylinder

600 Additional fan 60W before 01/96



Oil balance tube for 2 compressors



560 Capacity Control

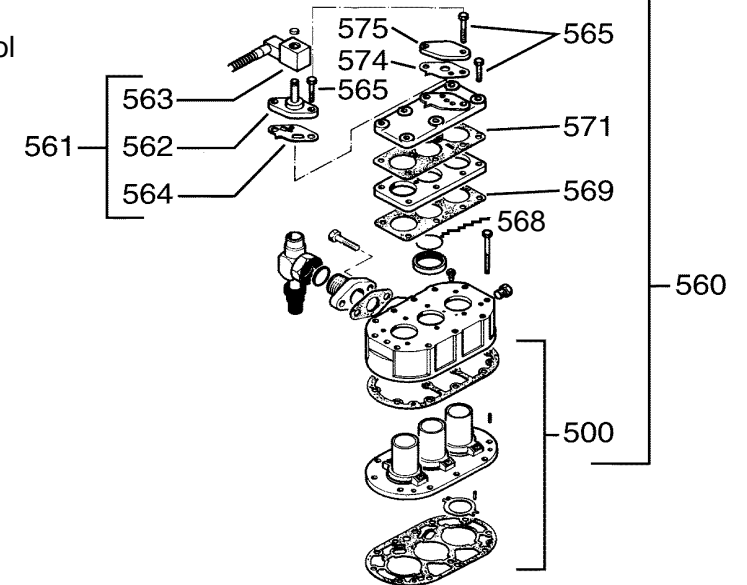


Diagram No.	Description	Part No.	Compressors marked with a "X" in the model name, e.g. D3DC*-100X, are charged with ester oil and have the same parts as the standard compressors, except the valve plates on compressors with capacity control (MODULOAD).																						
			D2DL* - 400	D2DC* - 500	D2DD* - 500	D2DB* - 500	D2DL* - 750	D2DB* - 750	DMDH - 500	DMDH - 750	D3DA* - 500	D3DA* - 500 H	D3DA* - 500 L	D3DA* - 750	D3DA* - 750 H	D3DC* - 750	D3DC* - 750 H	D3DC* - 750 L	D3DC* - 1000	D3DC* - 1000 H	D3DS* - 1000	D3DS* - 1000 H	D3DS* - 1000 L	D3DS* - 1500	D3DS* - 1500 H
11	Body main bearing plain, motor side	2961490	1	1	1	1	1	1																	
11	Body main bearing plain, motor side	2047443							1	1															
11	Body main bearing plain, motor side	2940860									1	1	1	1	1	1	1	1	1	1	1	1	1	1	1
12	Body main bearing thrust, gear side	2961503	1	1	1	1	1	1																	
12	Body main bearing thrust, gear side	2047432							1	1															
12	Body main bearing thrust, gear side	2940871									1	1	1	1	1	1	1	1	1	1	1	1	1	1	1
21	Gasket for stator cover	2951411	1	1	1	1	1	1			1	1	1	1	1	1	1	1	1	1	1	1	1	1	1
21	Gasket for stator cover	2950418							1	1															
30	Motor unit 5HP AWM/D	4561385	1	1	1	1																			
30	Motor unit 5HP EWM/D	4561410	1	1	1	1																			
30	Motor unit 5HP EWL/N	4561374	1	1	1	1																			
30	Motor unit 5HP EWK	4561409	1	1	1	1																			
30	Motor unit 5HP AWM/D	4565558							1		1	1	1												
30	Motor unit 5HP EWM/D	2569076							1		1	1	1												
30	Motor unit 5HP EWL/N	2569065							1		1	1	1												
30	Motor unit 5HP EWK	2569101							1		1	1	1												
30	Motor unit 7,5HP AWM/D	4561454						1	1																
30	Motor unit 7,5HP EWM/D	4561487						1	1																
30	Motor unit 7,5HP EWL/N	4561363						1	1																
30	Motor unit 7,5HP EWK	4561476						1	1																
30	Motor unit 7,5HP AWM/D	4566380								1							1	1	1						
30	Motor unit 7,5HP EWM/D	2569156								1							1	1	1						
30	Motor unit 7,5HP EWL/N	2569145								1							1	1	1						
30	Motor unit 7,5HP EWK	2569190								1							1	1	1						
30	Motor unit 7,5HP AWM/D	4560417											1	1											
30	Motor unit 7,5HP EWM/D	4560406											1	1											
30	Motor unit 7,5HP EWL/N	4560702											1	1											
30	Motor unit 7,5HP EWK	4560713											1	1											
30	Motor unit 10HP AWM/D	4560451																	1	1					
30	Motor unit 10HP EWM/D	4560440																	1	1					
30	Motor unit 10HP EWL/N	4560826																	1	1					
30	Motor unit 10HP EWK	4560837																	1	1					
30	Motor unit 10HP AWM/D	4560473																			1	1	1		

Diagram No.	Description	Part No.	Compressors marked with a "X" in the model name, e.g. D3DC*-100X, are charged with ester oil and have the same parts as the standard compressors, except the valve plates on compressors with capacity control (MODULOAD).																						
			D2DL* - 400	D2DC* - 500	D2DD* - 500	D2DB* - 500	D2DL* - 750	D2DB* - 750	DMDH - 500	DMDH - 750	D3DA* - 500	D3DA* - 500 H	D3DA* - 500 L	D3DA* - 750	D3DA* - 750 H	D3DC* - 750	D3DC* - 750 H	D3DC* - 750 L	D3DC* - 1000	D3DC* - 1000 H	D3DS* - 1000	D3DS* - 1000 H	D3DS* - 1000 L	D3DS* - 1500	D3DS* - 1500 H
30	Motor unit 10HP EWM/D	4560462																			1	1	1		
30	Motor unit 10HP EWL/N	4560871																			1	1	1		
30	Motor unit 10HP EWK	4560882																			1	1	1		
30	Motor unit 15HP AWM/D	4560495																						1	1
30	Motor unit 15HP EWM/D	4560484																						1	1
30	Motor unit 15HP EWL/N	4560655																						1	1
30	Motor unit 15HP EWK	4560666																						1	1
50	Crankshaft	2953815	1				1																		
50	Crankshaft	2952947		1																					
50	Crankshaft	2953757			1																				
50	Crankshaft	2953224				1	1																		
50	Crankshaft	2934656						1	1																
50	Crankshaft	2938001								1	1	1			1	1	1								
50	Crankshaft	2938012										1	1				1	1							
50	Crankshaft	2938023																			1	1	1	1	1
51	Crankshaft key	2048946								1	1	1	1	1	1	1	1	1	1	1	1	1	1	1	1
51	Crankshaft key	2914950						1	1																
51	Crankshaft key	2940019	1	1	1	1	1	1	1																
60	Piston con-rod assy, 2 pcs per kit	2836309	1				1																		
60	Piston con-rod assy, 2 pcs per kit	2836310		1																					
60	Piston con-rod assy, 2 pcs per kit	2836321			1																				
60	Piston con-rod assy, 2 pcs per kit	2836332				1	1																		
60	Piston con-rod assy, 2 pcs per kit, not available anymore	2836218						1	1																
60	Piston con-rod assy, 3 pcs per kit	2836229								1	1	1	1	1											
60	Piston con-rod assy, 3 pcs per kit	2836230													1	1	1	1	1						
60	Piston con-rod assy, 3 pcs per kit	2836241																			1	1	1	1	1
61	Piston ring	2972074	4	4	4		4																		
61	Piston ring	2972176				4		4																	
61	Piston ring	2918872							4	4															
61	Piston ring	2972132								6	6	6	6	6											
61	Piston ring	2972154													6	6	6	6	6						
61	Piston ring	2972165																			6	6	6	6	6
70	Housing cover with bearing	2970614	1	1	1	1	1	1	1	1															

Diagram No.	Description	Part No.	Compressors marked with a "X" in the model name, e.g. D3DC*-100X, are charged with ester oil and have the same parts as the standard compressors, except the valve plates on compressors with capacity control (MODULOAD).																							
			D2DL* - 400	D2DC* - 500	D2DD* - 500	D2DB* - 500	D2DL* - 750	D2DB* - 750	DMDH - 500	DMDH - 750	D3DA* - 500	D3DA* - 500 H	D3DA* - 500 L	D3DA* - 750	D3DA* - 750 H	D3DC* - 750	D3DC* - 750 H	D3DC* - 750 L	D3DC* - 1000	D3DC* - 1000 H	D3DS* - 1000	D3DS* - 1000 H	D3DS* - 1000 L	D3DS* - 1500	D3DS* - 1500 H	
70	Housing cover with bearing	2947327																								
71	Bearing for housing cover	2961547	1	1	1	1	1	1	1	1																
71	Bearing for housing cover	2941603									1	1	1	1	1	1	1	1	1	1	1	1	1	1	1	
74	Gasket for housing cover	2950429	1	1	1	1	1	1	1	1																
74	Gasket for housing cover	2959368									1	1	1	1	1	1	1	1	1	1	1	1	1	1	1	
81	Gasket for oil pump	2993488	1	1	1	1	1	1	1	1	1	1	1	1	1	1	1	1	1	1	1	1	1	1	1	
	Gasket, O-ring for oil pump	2947601	1	1	1	1	1	1	1	1	1	1	1	1	1	1	1	1	1	1	1	1	1	1	1	
101	Gasket for bottom plate	2729383	1	1	1	1	1	1	1	1																
101	Gasket for bottom plate	2993499									1	1	1	1	1	1	1	1	1	1	1	1	1	1	1	
110/111	Oil screen with gasket	3806730							1	1																
110/111	Oil screen with gasket	3806741	1	1	1	1	1	1			1	1	1	1	1	1	1	1	1	1	1	1	1	1	1	
111	Gasket for oil screen	2993455	1	1	1	1	1	1	1	1	1	1	1	1	1	1	1	1	1	1	1	1	1	1	1	
115	Sleeve for oil screen	2525398	1	1	1	1	1	1			1	1	1	1	1	1	1	1	1	1	1	1	1	1	1	
120	Gas check valve	2049552							1	1																
130	Oil check valve	2852661	1	1	1	1	1	1			1	1	1	1	1	1	1	1	1	1	1	1	1	1	1	
130	Oil check valve	2263754							1	1																
140	Oil sight glass, complete	2482519	1	1	1	1	1	1	1	1	1	1	1	1	1	1	1	1	1	1	1	1	1	1	1	
142/147	Gasket for oil sight glass and blind flange (1 piece)	2042028	3	3	3	3	3	3	1	1	3	3	3	3	3	3	3	3	3	3	3	3	3	3	3	
146	Blind flange with gasket instead of oil sight glass (1 piece)	3805895	2	2	2	2	2	2			2	2	2	2	2	2	2	2	2	2	2	2	2	2	2	
151	Gasket for valve plate below cylinder head	2953020	1	1	1	1	1	1																		
151	Gasket for valve plate below cylinder head	2950612							1	1																
151	Gasket for valve plate below cylinder head	2937893									1	1	1	1	1	1	1	1	1	1	1	1	1	1	1	
151/180	Gaskets for valve plate (kit), below cylinder head (1 piece), below valve plate (3 pieces)	3092640	1																							
151/180	Gaskets for valve plate (kit), below cylinder head (1 piece), below valve plate (3 pieces)	2845614		1	1			1																		
151/180	Gaskets for valve plate (kit), below cylinder head (1 piece), below valve plate (3 pieces)	2845625				1																				
151/180	Gaskets for valve plate (kit), below cylinder head (1 piece), below valve plate (3 pieces)	2845636						1																		
151/180	Gaskets for valve plate (kit), below cylinder head (1 piece), below valve plate (1 piece)	2845578							1	1																

Diagram No.	Description	Part No.	Compressors marked with a "X" in the model name, e.g. D3DC*-100X, are charged with ester oil and have the same parts as the standard compressors, except the valve plates on compressors with capacity control (MODULOAD).																							
			D2DL* - 400	D2DC* - 500	D2DD* - 500	D2DB* - 500	D2DL* - 750	D2DB* - 750	DMDH - 500	DMDH - 750	D3DA* - 500	D3DA* - 500 H	D3DA* - 500 L	D3DA* - 750	D3DA* - 750 H	D3DC* - 750	D3DC* - 750 H	D3DC* - 750 L	D3DC* - 1000	D3DC* - 1000 H	D3DS* - 1000	D3DS* - 1000 H	D3DS* - 1000 L	D3DS* - 1500	D3DS* - 1500 H	
151/180	Gaskets for valve plate (kit), below cylinder head (1 piece), below valve plate (3 pieces)	2845647									1	1	1	1	1											
151/180	Gaskets for valve plate (kit), below cylinder head (1 piece), below valve plate (3 pieces)	2845658													1	1	1	1	1							
151/180	Gaskets for valve plate (kit), below cylinder head (1 piece), below valve plate (3 pieces)	2845669																			1	1	1	1	1	1
170/171	Parts for 1 valve plate: suction valve reeds, dowel pins, valve plate gasket	3092639	1																							
170/171	Parts for 1 valve plate: suction valve reeds, dowel pins, valve plate gaskets	2836876		1	1			1	1																	
170/171	Parts for 1 valve plate: suction valve reeds, dowel pins, valve plate gasket	2836887				1																				
170/171	Parts for 1 valve plate: suction valve reeds, dowel pins, valve plate gasket	2836832							1	1																
170/171	Parts for 1 valve plate: suction valve reeds, dowel pins, valve plate gaskets	3104901									1	1	1	1	1	1	1	1	1	1	1	1	1	1	1	
180	Gasket for valve plate below valve plate, must be ordered to match the thickness of the original - see gasket tab 0,039-0,041 inches	2953042	1																							
180	Gasket for valve plate below valve plate, must be ordered to match the thickness of the original - see gasket tab 0,042-0,044 inches	2982724	1																							
180	Gasket for valve plate below valve plate, must be ordered to match the thickness of the original - see gasket tab 0,045-0,047 inches	2982757	1																							
180	Gasket for valve plate below valve plate, must be ordered to match the thickness of the original - see gasket tab 0,034-0,036 inches	2953097		1	1			1																		
180	Gasket for valve plate below valve plate, must be ordered to match the thickness of the original - see gasket tab 0,037-0,039 inches	2953064		1	1			1																		

Diagram No.	Description	Part No.	D2DL* - 400	D2DC* - 500	D2DD* - 500	D2DB* - 500	D2DL* - 750	D2DB* - 750	DMDH - 500	DMDH - 750	D3DA* - 500	D3DA* - 500 H	D3DA* - 500 L	D3DA* - 750	D3DA* - 750 H	D3DC* - 750	D3DC* - 750 H	D3DC* - 750 L	D3DC* - 1000	D3DC* - 1000 H	D3DS* - 1000	D3DS* - 1000 H	D3DS* - 1000 L	D3DS* - 1500	D3DS* - 1500 H
	Compressors marked with a "X" in the model name, e.g. D3DC*-100X, are charged with ester oil and have the same parts as the standard compressors, except the valve plates on compressors with capacity control (MODULOAD).																								
180	Gasket for valve plate below valve plate, must be ordered to match the thickness of the original - see gasket tab 0,040-0,042 inches	2953031		1	1		1																		
180	Gasket for valve plate below valve plate, must be ordered to match the thickness of the original - see gasket tab 0,039-0,041 inches	2953315				1																			
180	Gasket for valve plate below valve plate, must be ordered to match the thickness of the original - see gasket tab 0,042-0,044 inches	2953280				1																			
180	Gasket for valve plate below valve plate, must be ordered to match the thickness of the original - see gasket tab 0,045-0,047 inches	2982702				1																			
180	Gasket for valve plate below valve plate, must be ordered to match the thickness of the original - see gasket tab 0,034-0,036 inches	2953360						1																	
180	Gasket for valve plate below valve plate, must be ordered to match the thickness of the original - see gasket tab 0,037-0,039 inches	2953337						1																	
180	Gasket for valve plate below valve plate, must be ordered to match the thickness of the original - see gasket tab 0,040-0,042 inches	2953304						1																	
180	Gasket for valve plate below valve plate	2950601							1	1															
180	Gasket for valve plate below valve plate, must be ordered to match the thickness of the original - see gasket tab 0,031-0,033 inches	2944919									1	1	1	1	1										
180	Gasket for valve plate below valve plate, must be ordered to match the thickness of the original - see gasket tab 0,034-0,037 inches	2944953									1	1	1	1	1										
180	Gasket for valve plate below valve plate, must be ordered to match the thickness of the original - see gasket tab 0,038-0,041 inches	2991357									1	1	1	1	1										

Diagram No.	Description	Part No.	Compressors marked with a "X" in the model name, e.g. D3DC*-100X, are charged with ester oil and have the same parts as the standard compressors, except the valve plates on compressors with capacity control (MODULOAD).																										
			D2DL* - 400	D2DC* - 500	D2DD* - 500	D2DB* - 500	D2DL* - 750	D2DB* - 750	DMDH - 500	DMDH - 750	D3DA* - 500	D3DA* - 500 H	D3DA* - 500 L	D3DA* - 750	D3DA* - 750 H	D3DC* - 750	D3DC* - 750 H	D3DC* - 750 L	D3DC* - 1000	D3DC* - 1000 H	D3DS* - 1000	D3DS* - 1000 H	D3DS* - 1000 L	D3DS* - 1500	D3DS* - 1500 H				
180	Gasket for valve plate below valve plate, must be ordered to match the thickness of the original - see gasket tab 0,031-0,033 inches	2945014														1	1	1	1	1									
180	Gasket for valve plate below valve plate, must be ordered to match the thickness of the original - see gasket tab 0,034-0,037 inches	2945058														1	1	1	1	1									
180	Gasket for valve plate below valve plate, must be ordered to match the thickness of the original - see gasket tab 0,038-0,041 inches	2991391														1	1	1	1	1									
180	Gasket for valve plate below valve plate, must be ordered to match the thickness of the original - see gasket tab 0,031-0,033 inches	2945116																					1	1	1	1	1		
180	Gasket for valve plate below valve plate, must be ordered to match the thickness of the original - see gasket tab 0,034-0,037 inches	2945150																						1	1	1	1	1	
180	Gasket for valve plate below valve plate, must be ordered to match the thickness of the original - see gasket tab 0,038-0,041 inches	2991437																							1	1	1	1	1
191	Sleeve for crankcase heater	2948091	1	1	1	1	1	1				1	1	1	1	1	1	1	1	1	1	1	1	1	1	1	1	1	
200/201	Suction shut-off valve with gasket, sweat 1 3/8"	2837062	1	1	1	1	1	1	1	1	1	1	1	1	1	1	1	1	1	1	1	1	1	1	1	1	1	1	
200/201	Suction shut-off valve with gasket, sweat 1 5/8"/42 mm	2837084																									1	1	
	Suction shut-off valve with gasket, sweat 2 1/8" Tandem-compressors	2837119	1	1	1	1	1	1	1	1	1	1	1	1	1	1	1	1	1	1	1	1	1	1	1	1	1	1	
201	Gasket for suction shut-off valve	2963043	1	1	1	1	1	1	1	1	1	1	1	1	1	1	1	1	1	1	1	1	1	1	1	1	1	1	
201	Gasket for suction shut-off valve	2880851																									1	1	
	Gasket for suction shut-off valve Tandem-compressors	2880862	1	1	1	1	1	1	1	1	1	1	1	1	1	1	1	1	1	1	1	1	1	1	1	1	1	1	
201/202	Suction screen with gasket	3806752	1	1	1	1	1	1				1	1	1	1	1	1	1	1	1	1	1	1	1	1	1	1	1	
201/202	Suction screen with gasket	3806729										1	1																
201/202	Suction screen with gasket	3806763																									1	1	
203	Gasket for pipe socket	2880884	1	1	1	1	1	1	1	1	1	1	1	1	1	1	1	1	1	1	1	1	1	1	1	1	1	1	
203	Gasket for pipe socket Henry	2880895																									1	1	
203	Gasket for pipe socket Nobis	2881467																									1	1	
	Gasket for pipe socket, Tandem-compressors	3091932	1	1	1	1	1	1	1	1	1	1	1	1	1	1	1	1	1	1	1	1	1	1	1	1	1	1	

Diagram No.	Description		Part No.	Compressors marked with a "X" in the model name, e.g. D3DC*-100X, are charged with ester oil and have the same parts as the standard compressors, except the valve plates on compressors with capacity control (MODULOAD).																						
				D2DL* - 400	D2DC* - 500	D2DD* - 500	D2DB* - 500	D2DL* - 750	D2DB* - 750	DMDH - 500	DMDH - 750	D3DA* - 500	D3DA* - 500 H	D3DA* - 500 L	D3DA* - 750	D3DA* - 750 H	D3DC* - 750	D3DC* - 750 H	D3DC* - 750 L	D3DC* - 1000	D3DC* - 1000 H	D3DS* - 1000	D3DS* - 1000 H	D3DS* - 1000 L	D3DS* - 1500	D3DS* - 1500 H
204	Pipe socket 1 3/8"		2048060	1	1	1	1	1	1	1	1	1	1	1	1	1	1	1	1	1	1	1	1	1	1	1
204	Pipe socket 1 5/8"/42 mm Henry		2938829																						1	1
204	Pipe socket 1 5/8"/42 mm Nobis		2938830																						1	1
	Pipe socket 2 1/8" Henry Tandem-compressors		2832830	1	1	1	1	1	1	1	1	1	1	1	1	1	1	1	1	1	1	1	1	1	1	1
	Pipe socket 2 1/8" Nobis Tandem-compressors		2832841	1	1	1	1	1	1	1	1	1	1	1	1	1	1	1	1	1	1	1	1	1	1	1
205	Flange 1 3/8"		2045152	1	1	1	1	1	1	1	1	1	1	1	1	1	1	1	1	1	1	1	1	1	1	1
205	Flange 1 5/8"/42mm Henry/Nobis		2050078																						1	1
	Flange 2 1/8" Henry Tandem-compressors		2050578	1	1	1	1	1	1	1	1	1	1	1	1	1	1	1	1	1	1	1	1	1	1	1
	Flange 2 1/8" Nobis Tandem-compressors		2946846	1	1	1	1	1	1	1	1	1	1	1	1	1	1	1	1	1	1	1	1	1	1	1
210/211	Discharge shut-off valve with gasket, sweat 7/8"	1 1/4"- 12, I.D. 7/8"	2837164	1	1	1	1																			
210/211	Discharge shut-off valve with gasket, sweat 1 1/8"		3808156					1	1																	
210/211	Discharge shut-off valve with gasket, sweat 7/8"		2837073							1																
210/211	Discharge shut-off valve with gasket, sweat 1 1/8"		2837051							1																
210/211	Discharge shut-off valve with gasket, sweat 7/8"	1-3/4"-12 I.D. 7/8"	2837175								1	1	1													
210/211	Discharge shut-off valve with gasket, sweat 1 1/8"	1 3/4"- 12, I.D. 1 1/8"	2837131											1	1	1	1	1	1	1	1	1	1	1	1	1
211	Gasket for discharge shut-off valve		2495939	1	1	1	1	1	1																	
211	Gasket for discharge shut-off valve		2499765							1	1															
211	Gasket for discharge shut-off valve		2050772								1	1	1	1	1	1	1	1	1	1	1	1	1	1	1	1
	Shipping plate with gasket and screws (kit), suction side		2846082	1	1	1	1	1	1	1	1	1	1	1	1	1	1	1	1	1	1	1	1	1	1	1
	Shipping plate with gasket and screws (kit), suction side		2846093																						1	1
	Shipping plate with gasket and screws (kit), discharge side		2846071	1	1	1	1	1	1	1																
	Shipping plate with gasket and screws (kit), discharge side		2846082								1	1	1	1	1	1	1	1	1	1	1	1	1	1	1	1
220	Mounting adapter for Rotalock valve		2989087	1	1	1	1	1	1																	
220	Mounting adapter for Rotalock valve		2050749								1	1	1	1	1	1	1	1	1	1	1	1	1	1	1	1
221	Gasket for mounting adapter Rotalock valve		2529947	1	1	1	1	1	1																	
221	Gasket for mounting adapter Rotalock valve		2880908								1	1	1	1	1	1	1	1	1	1	1	1	1	1	1	1
230	Terminal plate assy		2834596	1	1	1	1	1	1	1	1	1	1	1	1	1	1	1	1	1	1	1	1	1	1	1
231	Gasket for terminal plate		2952823	1	1	1	1	1	1	1	1	1	1	1	1	1	1	1	1	1	1	1	1	1	1	1
300	Module for VW-protection Kriwan INT 69 external 110 V		2495951	1	1	1	1	1	1	1	1	1	1	1	1	1	1	1	1	1	1	1	1	1	1	1
300	Module for VW-protection Kriwan INT 69 external 230 V		2047625	1	1	1	1	1	1	1	1	1	1	1	1	1	1	1	1	1	1	1	1	1	1	1
300	Module for VW-protection Kriwan INT 69 external 380 V		2640897	1	1	1	1	1	1	1	1	1	1	1	1	1	1	1	1	1	1	1	1	1	1	1
300	Module for VW-protection Kriwan INT 69 internal 24 V, DC		2832465	1	1	1	1	1	1	1	1	1	1	1	1	1	1	1	1	1	1	1	1	1	1	1

Diagram No.	Description	Part No.	Compressors marked with a "X" in the model name, e.g. D3DC*-100X, are charged with ester oil and have the same parts as the standard compressors, except the valve plates on compressors with capacity control (MODULOAD).																						
			D2DL* - 400	D2DC* - 500	D2DD* - 500	D2DB* - 500	D2DL* - 750	D2DB* - 750	DMDH - 500	DMDH - 750	D3DA* - 500	D3DA* - 500 H	D3DA* - 500 L	D3DA* - 750	D3DA* - 750 H	D3DC* - 750	D3DC* - 750 H	D3DC* - 750 L	D3DC* - 1000	D3DC* - 1000 H	D3DS* - 1000	D3DS* - 1000 H	D3DS* - 1000 L	D3DS* - 1500	D3DS* - 1500 H
500	Valve plate assy, with the corresponding thickest valve plate gasket	2833491														1			1						
500	Valve plate assy, with the corresponding thickest valve plate gasket - for operation with refrigerants R134a/R404A/R507	3807448														1			1						
500	Valve plate assy, with the corresponding thickest valve plate gasket	2833480																				1			1
500	Valve plate assy, with the corresponding thickest valve plate gasket - for operation with refrigerants R134a/R404A/R507	3807459																				1			1
500	Valve plate assy, with the corresponding thickest valve plate gasket	2833515																					1		
500	Valve plate assy, with the corresponding thickest valve plate gasket - for operation with refrigerants R134a/R404A/R507	3807404																					1		
510	Gasket kit, with the corresponding thickest valve plate gaskets	2835248	1	1	1	1	1	1																	
510	Gasket kit	2831644							1	1															
510	Gasket kit, with the corresponding thickest valve plate gaskets	2832874									1	1	1	1	1	1	1	1	1	1	1	1	1	1	1
520	Oil pump assy	2832761	1	1	1	1	1	1	1	1	1	1	1	1	1	1	1	1	1	1	1	1	1	1	1
530	Crankcase heater, external 65 W, 120 V	4577431	1	1	1	1	1	1	1	1	1	1	1	1	1	1	1	1	1	1	1	1	1	1	1
530	Crankcase heater, external 65 W, 240 V	4577420	1	1	1	1	1	1	1	1	1	1	1	1	1	1	1	1	1	1	1	1	1	1	1
530	Crankcase heater, external 65 W, 480 V	4577442	1	1	1	1	1	1	1	1	1	1	1	1	1	1	1	1	1	1	1	1	1	1	1
530	Crankcase heater, internal 70 W, 115 V	6717946	1	1	1	1	1	1			1	1	1	1	1	1	1	1	1	1	1	1	1	1	1
530	Crankcase heater, internal 70 W, 230 V	2834198	1	1	1	1	1	1			1	1	1	1	1	1	1	1	1	1	1	1	1	1	1
530	Crankcase heater, internal 70 W, 480 V	3806310	1	1	1	1	1	1			1	1	1	1	1	1	1	1	1	1	1	1	1	1	1
	Silicon paste for mounting the crankcase heater into the heater sleeve	2942537	1	1	1	1	1	1			1	1	1	1	1	1	1	1	1	1	1	1	1	1	1
540	Mounting parts (kit)	2188475	1	1	1	1	1	1	1	1															
540	Mounting parts (kit)	2188748									1	1	1	1	1	1	1								
540	Mounting parts (kit)	2188884																1	1	1	1	1			
540	Mounting parts (kit)	2049643																						1	1
	Rubber mounting parts (kit)	2933266	1	1	1	1	1	1	1	1	1	1	1	1	1	1	1	1	1	1	1	1	1	1	1
550	Unloaded start w/o check valve with solenoid coil 24 V, DC Danfoss	2990296	1	1	1	1	1	1																	
550	Unloaded start w/o check valve with solenoid coil 24 V, 50 Hz Danfoss	2990194	1	1	1	1	1	1																	

Diagram No.	Description	Part No.	Compressors marked with a "X" in the model name, e.g. D3DC*-100X, are charged with ester oil and have the same parts as the standard compressors, except the valve plates on compressors with capacity control (MODULOAD).																							
			D2DL* - 400	D2DC* - 500	D2DD* - 500	D2DB* - 500	D2DL* - 750	D2DB* - 750	DMDH - 500	DMDH - 750	D3DA* - 500	D3DA* - 500 H	D3DA* - 500 L	D3DA* - 750	D3DA* - 750 H	D3DC* - 750	D3DC* - 750 H	D3DC* - 750 L	D3DC* - 1000	D3DC* - 1000 H	D3DS* - 1000	D3DS* - 1000 H	D3DS* - 1000 L	D3DS* - 1500	D3DS* - 1500 H	
550	Unloaded start w/o check valve with solenoid coil 110 V, 50/60 Hz Danfoss	2990092	1	1	1	1	1	1																		
550	Unloaded start w/o check valve with solenoid coil 230 V, 50/60 Hz Danfoss	2835408	1	1	1	1	1	1																		
550	Unloaded start w/o check valve with solenoid coil 24 V, DC Danfoss	2990252							1	1																
550	Unloaded start w/o check valve with solenoid coil 24 V, 50/60 Hz Danfoss	2990150							1	1																
550	Unloaded start w/o check valve with solenoid coil 110 V, 50/60 Hz Danfoss	2990058							1	1																
550	Unloaded start w/o check valve with solenoid coil 230 V, 50/60 Hz Danfoss	2831586							1	1																
550	Unloaded start w/o check valve with solenoid coil 24 V, DC Danfoss	2990309									1	1	1	1	1	1	1	1	1	1	1	1	1	1	1	1
550	Unloaded start w/o check valve with solenoid coil 24 V, 50 HZ Danfoss	2990207									1	1	1	1	1	1	1	1	1	1	1	1	1	1	1	1
550	Unloaded start w/o check valve with solenoid coil 110 V, 50/60 Hz Danfoss	2990105									1	1	1	1	1	1	1	1	1	1	1	1	1	1	1	1
550	Unloaded start w/o check valve with solenoid coil 230 V, 50/60 Hz Danfoss	2833991									1	1	1	1	1	1	1	1	1	1	1	1	1	1	1	1
552	Unloaded start (piping assy), w/o solenoid coil, w/o gaskets Danfoss	2957646	1	1	1	1	1	1	1																	
552	Unloaded start (piping assy), w/o solenoid coil, w/o gaskets Danfoss	2943950							1	1																
552	Unloaded start (piping assy), w/o solenoid coil, w/o gaskets Danfoss	2944168									1	1	1	1	1	1	1	1	1	1	1	1	1	1	1	1
553	Solenoid coil for unloaded start 24 V, DC Danfoss	2943949	1	1	1	1	1	1	1	1																
553	Solenoid coil for unloaded start 24 V, DC Danfoss	2940268									1	1	1	1	1	1	1	1	1	1	1	1	1	1	1	1
553	Solenoid coil for unloaded start 24 V, 50 Hz Danfoss	2940257	1	1	1	1	1	1	1	1	1	1	1	1	1	1	1	1	1	1	1	1	1	1	1	1
553	Solenoid coil for unloaded start 110 V, 50/60 Hz Danfoss	2940246	1	1	1	1	1	1	1	1	1	1	1	1	1	1	1	1	1	1	1	1	1	1	1	1
553	Solenoid coil for unloaded start 230 V, 50/60 Hz Danfoss	2940235	1	1	1	1	1	1	1	1	1	1	1	1	1	1	1	1	1	1	1	1	1	1	1	1
554	Adapter Rotalock,suction side	2957657	1	1	1	1	1	1																		
554	Adapter Rotalock, suction side	2944204									1	1	1	1	1	1	1	1	1	1	1	1	1	1	1	1

Diagram No.	Description	Part No.	Compressors marked with a "X" in the model name, e.g. D3DC*-100X, are charged with ester oil and have the same parts as the standard compressors, except the valve plates on compressors with capacity control (MODULOAD).																						
			D2DL* - 400	D2DC* - 500	D2DD* - 500	D2DB* - 500	D2DL* - 750	D2DB* - 750	DMDH - 500	DMDH - 750	D3DA* - 500	D3DA* - 500 H	D3DA* - 500 L	D3DA* - 750	D3DA* - 750 H	D3DC* - 750	D3DC* - 750 H	D3DC* - 750 L	D3DC* - 1000	D3DC* - 1000 H	D3DS* - 1000	D3DS* - 1000 H	D3DS* - 1000 L	D3DS* - 1500	D3DS* - 1500 H
555	Gasket for adapter Rotalock, suction side	2495928	1	1	1	1	1	1																	
555	Gasket for flange, suction side	2949812							1	1															
556	Gasket for flange, discharge side (1 piece)	2949765	2	2	2	2	2	2	2	2															
556	Gasket for flange, discharge side (1 piece)	2963043									2	2	2	2	2	2	2	2	2	2	2	2	2	2	2
557	Socket screw 5/16"-18 UNC x 2" 12.9 (1 piece)	2486500	2	2	2	2	2	2	2	2															
557	Screw 1/2"-13 UNC x 2 3/4" 8.8 (1 piece)	2040588									2	2	2	2	2	2	2	2	2	2	2	2	2	2	2
558	Check valve 22 mm NRV 22 S	2946891	1	1	1	1	1	1	1		1	1	1												
558	Check valve with a stronger spring for Tandem-compressors and parallel systems 22 mm NRVH 22 S	2952243	1	1	1	1	1	1	1		1	1	1												
558	Check valve 28 mm NRV 22 S	2995906								1				1	1	1	1	1	1	1	1	1	1	1	1
558	Check valve with a stronger spring for Tandem-compressors and parallel systems 28 mm NRVH 22 S	2995600								1				1	1	1	1	1	1	1	1	1	1	1	1
560	Valve plate with capacity control, gaskets and cylinder head, with the corresponding thickest valve plate gasket	2834325											1												
560	Valve plate with capacity control, gaskets and cylinder head, with the corresponding thickest valve plate gasket - for operation with refrigerants R134a/R404A/R507	3807368											1												
560	Valve plate with capacity control, gaskets and cylinder head, with the corresponding thickest valve plate gasket	2833775											1				1								
560	Valve plate with capacity control, gaskets and cylinder head, with the corresponding thickest valve plate gasket - for operation with refrigerants R134a/R404A/R507	3807357											1				1								
560	Valve plate with capacity control, gaskets and cylinder head, with the corresponding thickest valve plate gasket	2833753												1											
560	Valve plate with capacity control, gaskets and cylinder head, with the corresponding thickest valve plate gasket - for operation with refrigerants R134a/R404A/R507	3807379													1										
560	Valve plate with capacity control, gaskets and cylinder head, with the corresponding thickest valve plate gasket	2833742														1			1						
560	Valve plate with capacity control, gaskets and cylinder head, with the corresponding thickest valve plate gasket - for operation with refrigerants R134a/R404A/R507	3807380															1		1						

Diagram No.	Description	Part No.	Compressors marked with a "X" in the model name, e.g. D3DC*-100X, are charged with ester oil and have the same parts as the standard compressors, except the valve plates on compressors with capacity control (MODULOAD).																							
			D2DL* - 400	D2DC* - 500	D2DD* - 500	D2DB* - 500	D2DL* - 750	D2DB* - 750	DMDH - 500	DMDH - 750	D3DA* - 500	D3DA* - 500 H	D3DA* - 500 L	D3DA* - 750	D3DA* - 750 H	D3DC* - 750	D3DC* - 750 H	D3DC* - 750 L	D3DC* - 1000	D3DC* - 1000 H	D3DS* - 1000	D3DS* - 1000 H	D3DS* - 1000 L	D3DS* - 1500	D3DS* - 1500 H	
591	Oil pressure safety switch, w/o bracket, w/o sensor, SENTRONIC+ NEW (Caution! Obsolete and new SENTRONIC parts, e.g. obsolete module with new sensor, must not be used commonly)	3107013	1	1	1	1	1	1	1	1	1	1	1	1	1	1	1	1	1	1	1	1	1	1	1	1
591/593	Oil pressure safety switch with 2 capillary tubes, w/o bracket ALCO CONTROLS	2942300	1	1	1	1	1	1	1	1	1	1	1	1	1	1	1	1	1	1	1	1	1	1	1	1
592	Bracket for oil pressure safety switch ALCO CONTROLS/Ranco	2326626	1	1	1	1	1	1	1	1	1	1	1	1	1	1	1	1	1	1	1	1	1	1	1	1
592	Bracket for oil pressure safety switch for models with unloaded start ALCO CONTROLS/Ranco	2940008	1	1	1	1	1	1	1	1	1	1	1	1	1	1	1	1	1	1	1	1	1	1	1	1
592	Bracket for oil pressure safety switch SENTRONIC	2951864	1	1	1	1	1	1	1	1	1	1	1	1	1	1	1	1	1	1	1	1	1	1	1	1
	Adapter for connecting oil pressure safety switch ALCO CONTROLS/Ranco	2960179	1	1	1	1	1	1																		
593	Capillary tube for oil pressure safety switch with gaskets, Cu-ring ALCO CONTROLS/Ranco (1 piece)	3808214	2	2	2	2	2	2	2	2	2	2	2	2	2	2	2	2	2	2	2	2	2	2	2	2
594	Gasket, Cu-ring ALCO CONTROLS/Ranco (1 piece)	2974343	4	4	4	4	4	4	4	4	4	4	4	4	4	4	4	4	4	4	4	4	4	4	4	4
	Sensor with gaskets OPS1	3110784	1	1	1	1	1	1	1	1	1	1	1	1	1	1	1	1	1	1	1	1	1	1	1	1
	Sensor with gaskets SENTRONIC (Caution! Obsolete and new SENTRONIC parts, e.g. obsolete module with new sensor, must not be used commonly), not available anymore	3807460	1	1	1	1	1	1	1	1	1	1	1	1	1	1	1	1	1	1	1	1	1	1	1	1
	Sensor with gaskets SENTRONIC+ NEW (Caution! Obsolete and new SENTRONIC parts, e.g. obsolete module with new sensor, must not be used commonly)	3107046	1	1	1	1	1	1	1	1	1	1	1	1	1	1	1	1	1	1	1	1	1	1	1	1
	Gasket, O-ring for sensor OPS1/SENTRONIC	2944124	1	1	1	1	1	1	1	1	1	1	1	1	1	1	1	1	1	1	1	1	1	1	1	1
	Gasket, circular for sensor OPS1	3112586	1	1	1	1	1	1	1	1	1	1	1	1	1	1	1	1	1	1	1	1	1	1	1	1
	Gasket, circular for sensor SENTRONIC	2951831	1	1	1	1	1	1	1	1	1	1	1	1	1	1	1	1	1	1	1	1	1	1	1	1
	PG-screw connection (kit) OPS1	3112348	1	1	1	1	1	1	1	1	1	1	1	1	1	1	1	1	1	1	1	1	1	1	1	1
	Protection cap for reset button OPS1	3112268	1	1	1	1	1	1	1	1	1	1	1	1	1	1	1	1	1	1	1	1	1	1	1	1
	Extension cable 3 m SENTRONIC (Caution! Obsolete and new SENTRONIC parts, e.g. obsolete module with new sensor, must not be used commonly)	3808087	1	1	1	1	1	1	1	1	1	1	1	1	1	1	1	1	1	1	1	1	1	1	1	1

Diagram No.	Description	Part No.	Compressors marked with a "X" in the model name, e.g. D3DC*-100X, are charged with ester oil and have the same parts as the standard compressors, except the valve plates on compressors with capacity control (MODULOAD).																						
			D2DL* - 400	D2DC* - 500	D2DD* - 500	D2DB* - 500	D2DL* - 750	D2DB* - 750	DMDH - 500	DMDH - 750	D3DA* - 500	D3DA* - 500 H	D3DA* - 500 L	D3DA* - 750	D3DA* - 750 H	D3DC* - 750	D3DC* - 750 H	D3DC* - 750 L	D3DC* - 1000	D3DC* - 1000 H	D3DS* - 1000	D3DS* - 1000 H	D3DS* - 1000 L	D3DS* - 1500	D3DS* - 1500 H
	Extension cable 3,6 m SENTRONIC+ NEW (Caution! Obsolete and new SENTRONIC parts, e.g. obsolete module with new sensor, must not be used commonly)	3107035	1	1	1	1	1	1	1	1	1	1	1	1	1	1	1	1	1	1	1	1	1	1	1
600	Additional fan assy, vertical 220-1-50/60 EBM	3098842	1	1	1	1	1	1	1	1															
600	Additional fan assy, vertical 220-1-50/60 EBM	3098784								1			1		1			1		1				1	
600	Additional fan assy, vertical 220-1-50/60 EBM	3098819									1	1		1		1	1		1		1	1		1	
600	Additional fan assy, vertical 220/380-3-50/60 EBM	3098831	1	1	1	1	1	1	1	1															
600	Additional fan assy, vertical 220/380-3-50/60 EBM	2988120									1			1		1			1		1			1	
600	Additional fan assy, vertical 220/380-3-50/60 EBM	3098808										1	1		1		1	1		1		1	1		1
600	Additional fan assy, vertical 500-3-50 EBM	3098853	1	1	1	1	1	1	1	1															
600	Additional fan assy, vertical 500-3-50 EBM	3098795									1			1		1			1		1			1	
600	Additional fan assy, vertical 500-3-50 EBM	3098820										1	1		1		1	1		1		1	1		1
601	220-1-50, please order additionally run capacitor 6 µF (2728686)	2487456	1	1	1	1	1	1	1	1	1	1	1	1	1	1	1	1	1	1	1	1	1	1	1
601/602/ 603	Additional fan assy, vertical 220-1-50 EBM w/o mounting kit	2998245	1	1	1	1	1	1	1	1	1	1	1	1	1	1	1	1	1	1	1	1	1	1	1
601/602/ 603	Additional fan assy, vertical 220/380-3-50/60 EBM w/o mounting kit	2998256	1	1	1	1	1	1	1	1	1	1	1	1	1	1	1	1	1	1	1	1	1	1	1
601/602/ 603	Additional fan assy, vertical 500-3-50 EBM w/o mounting kit	2998267	1	1	1	1	1	1	1	1	1	1	1	1	1	1	1	1	1	1	1	1	1	1	1
	Run capacitor 6 µF for fan motor-50/55/60 W	2728686	1	1	1	1	1	1	1	1	1	1	1	1	1	1	1	1	1	1	1	1	1	1	1
	Run capacitor 5 µF for additional fan 220-1-50/60 EBM	3097996	1	1	1	1	1	1	1	1	1	1	1	1	1	1	1	1	1	1	1	1	1	1	1
602	Fan blade for additional fan (4 blades) 60 W, ø 305 mm 33°	2728131	1	1	1	1	1	1	1	1															
602	Fan blade for additional fan (4 blades) 60 W, ø 305 mm 33°	2943790									1	1	1	1	1	1	1	1	1	1	1	1	1	1	
603	Fan guard for additional fan 60 W, for a complete fan guard please order additionally 2 x cover 2912909 and 4 x screw 2939684, fan guard not available anymore	2485836	1	1	1	1	1	1	1	1															
603	Fan guard for additional fan 60 W, for a complete fan guard please order additionally 2 x cover 2912909 and 4 x screw 2939684	2943803									1	1	1	1	1	1	1	1	1	1	1	1	1	1	
604	Cover for fan guard (1 piece)	2912909	2	2	2	2	2	2	2	2	2	2	2	2	2	2	2	2	2	2	2	2	2	2	2
605	Bolt B 3,9 x 16 Z 2 DIN 7976 (1 piece)	2939684	4	4	4	4	4	4	4	4	4	4	4	4	4	4	4	4	4	4	4	4	4	4	4
610	Mounting kit for additional fan 60 W	2832909	1	1	1	1	1	1			1	1	1	1	1	1	1	1	1	1	1	1	1	1	
610	Mounting kit for additional fan 60 W	2834245							1	1															
610	Mounting kit for additional fan EBM	2988119	1	1	1	1	1	1	1	1															

Diagram No.	Description	Part No.	Compressors marked with a "X" in the model name, e.g. D3DC*-100X, are charged with ester oil and have the same parts as the standard compressors, except the valve plates on compressors with capacity control (MODULOAD).																						
			D2DL* - 400	D2DC* - 500	D2DD* - 500	D2DB* - 500	D2DL* - 750	D2DB* - 750	DMDH - 500	DMDH - 750	D3DA* - 500	D3DA* - 500 H	D3DA* - 500 L	D3DA* - 750	D3DA* - 750 H	D3DC* - 750	D3DC* - 750 H	D3DC* - 750 L	D3DC* - 1000	D3DC* - 1000 H	D3DS* - 1000	D3DS* - 1000 H	D3DS* - 1000 L	D3DS* - 1500	D3DS* - 1500 H
610	Mounting kit for additional fan EBM	2988095																							
610	Mounting kit for additional fan EBM	2988108																							
620	DEMAND COOLING assy, 230 V, 50/60 Hz ALCO CONTROLS	3808623	1			1																			
620	DEMAND COOLING assy, only for compressors marked with 4, e.g. D3D*4-***, 230 V, 50 Hz ALCO CONTROLS	3808634																							
620	DEMAND COOLING assy, only for compressors marked with 4, e.g. D3D*4-***, 230 V, 60 Hz ALCO CONTROLS	3808656																							
620	DEMAND COOLING assy, only for compressors marked with 4, e.g. D3D*4-***, 230 V, 50 Hz ALCO CONTROLS	3808645																							
620	DEMAND COOLING assy, only for compressors marked with 4, e.g. D3D*4-***, 230 V, 60 Hz ALCO CONTROLS	3808667																							
621	Module for DEMAND COOLING 120 V, 50/60 Hz	2954567	1			1																			
621	Module for DEMAND COOLING 230 V, 50/60 Hz	2954329	1			1																			
621	Module for DEMAND COOLING, only for compressors marked with "4", e.g. D3D*4-***, 120 V, 50/60 Hz	2954567																							
621	Module for DEMAND COOLING, only for compressors marked with "4", e.g. D3D*4-***, 230 V, 50/60 Hz	2954329																							
622	Bracket for module	2954476	1			1																			
623	Temperature sensor with cable 1 m	2954330	1			1																			
623	Temperature sensor with cable 3 m	2954681	1			1																			
624	Expansion valve with solenoid coil 230 V, 50/60 Hz ALCO CONTROLS	3103908	1			1																			
624	Expansion valve with solenoid coil 230 V, 50 Hz ALCO CONTROLS	3103884																							
624	Expansion valve with solenoid coil 230 V, 60 Hz ALCO CONTROLS	3103840																							
625	Expansion valve w/o solenoid coil 50/60 Hz ALCO CONTROLS	2982202	1			1																			
625	Expansion valve w/o solenoid coil 50/60 Hz Parker	2954374	1			1																			
625	Expansion valve w/o solenoid coil 50 Hz ALCO CONTROLS	2982213																							
625	Expansion valve w/o solenoid coil 50 Hz Parker	2954385																							
625	Expansion valve w/o solenoid coil 60 Hz ALCO CONTROLS	2982224																							

Miscellaneous					
Item	Specification	Part Number	Item	Specification	Part Number
Adapter	1/8" - 27 NPTF	2059791	Waterhose	1/2"	2486102
Adapter	1/4" - 18 NPTF	2038650	Waterhose	1"	2487569
Angle adapter	1/4" - 18 NPTF	2038956	Worm drive hose clip for waterhose	1/2"	2486113
T-adapter	1/8" - 27 NPTF	2059780	Worm drive hose clip for waterhose	1"	2487570
T-adapter	1/4" - 18 NPTF	2059779	Oil separator	OS-16	2981265
T-adapter for oil pressure safety switch	1/4" - 18 NPTF	2039993	Oil separator	OS-22 F	3097941
Schrader valve	1/8" - 27 NPTF	2051117	Oil separator	OS-28 F	2946482
Schrader valve	1/4" - 18 NPTF	2830696	Socket wrench for Torx-screw (rod)	1/2" - Drive	2455275
Schrader valve - T	1/8" - 27 NPTF	2048797	Sight glass key DK, DL, DN (except DN..2)		2831213
Connection for Schrader valve		2502400	Key for sight glass retainer for oil balance DK, DL, DN (except DN..2)	DK, DL, DN (except DN..2)	2831462
Loctite (tube 50 cm3)	Loctite 572	2195148	Screw plug	1/8" - 27 NPTF	2043156
Refrigeration-oil (can 1 l)	SHELL 22-12	2190814	Screw plug	1/4" - 18 NPTF	2045685
Refrigeration-oil (can 4 l)	Suniso 3 GS	3103953	Screw plug	3/8" - 18 NPTF	2040997
Refrigeration-oil (can 3 l)	ALKYLAT 150 DT	2834234	Screw plug	1/2" - 14 NPTF	2856027
Refrigeration-oil (can 1 US quart, appr. 0,946 l)	Mobil EAL ARCTIC 22 CC	3808203	Screw plug for liquid receiver and WR/K-receiver	1/2" - 14 NPTF Ms	2976838
Refrigeration-oil (can 1 US gallone, appr. 3,8 l)	Mobil EAL ARCTIC 22 CC	3808190	Liquid receiver, special horizontal design	13 l for DK	2479699
Refrigeration-oil (can 1 l)	ICI EMKARATE RL 32 CF	3808112	Liquid receiver, special horizontal design	23 l for DL, DN, DM, D2	2479702
Refrigeration-oil (can 5 l)	ICI EMKARATE RL 32 CF	3808123	Liquid receiver, special horizontal design	D3, D9, D4, D6	2479713
Refrigeration-oil (canister 25 l)	ICI EMKARATE RL 32 CF	3808134	Hand-refractometer	998-RMET-00	8024575
Varnish, grey (can 1 kg)	RAL 7031	2641141	Module for S-protection (complete for conversion into MP 23)	Kriwan INT 300 internal 120 V	3806025
Varnish, grey, spray (carton, 6 cans)	RAL 7031	2836898	Module for S-protection (complete for conversion into MP 23)	Kriwan INT 300 internal 230 V	2941852
Capillary tube with gaskets, Cu-ring	2,4 x 0,45 1000 mm length	3808214			
Capillary tube with gaskets, Cu-ring	2,4 x 0,45 1500 mm length	3808225			
Cleaning brushes for WR/K-condensers		2039324			