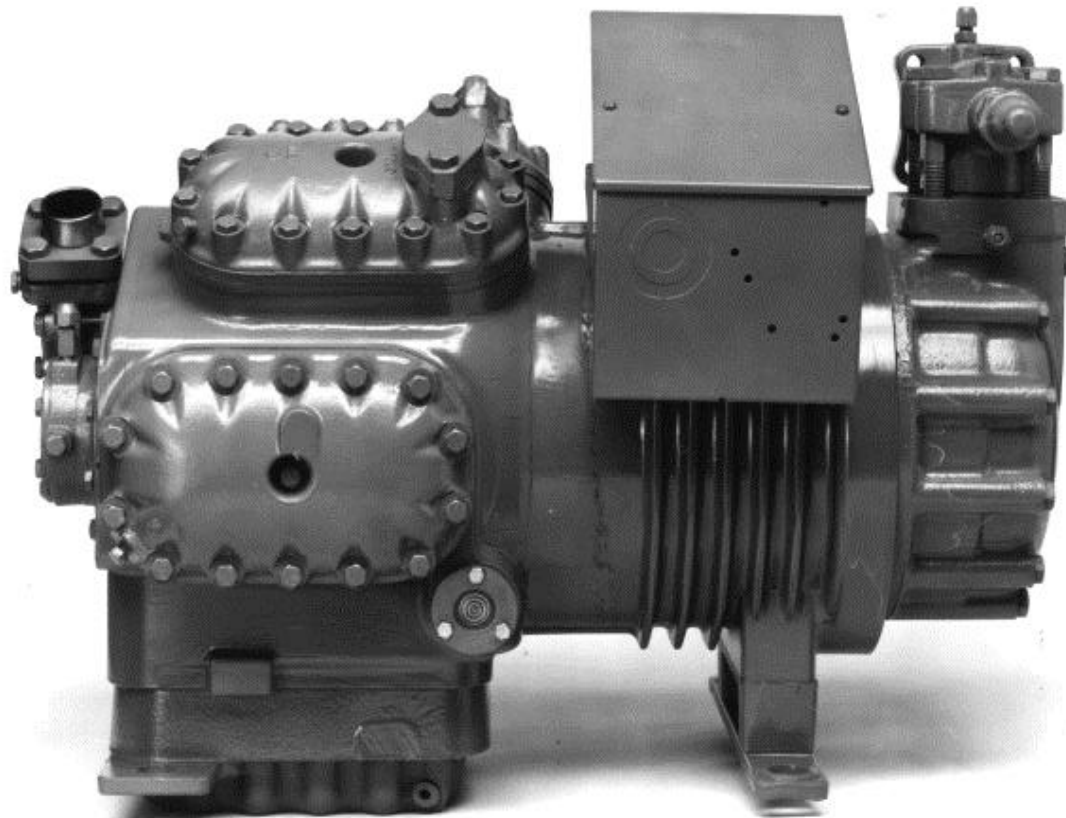

DWM COPELAND

**Spare Parts List for
Motor Compressors**

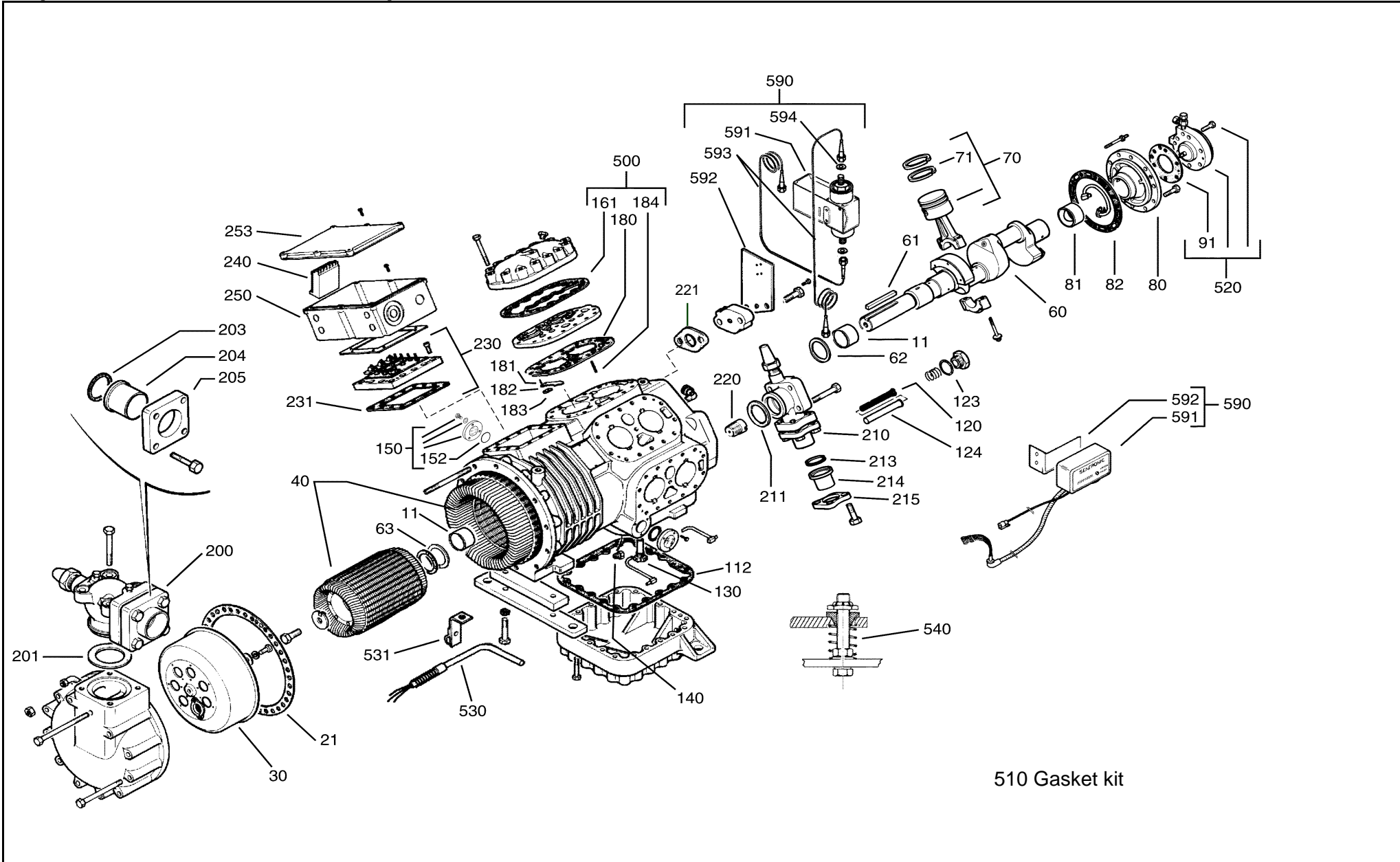
D8S.*



04/02

Exploded View of a Motor Compressor

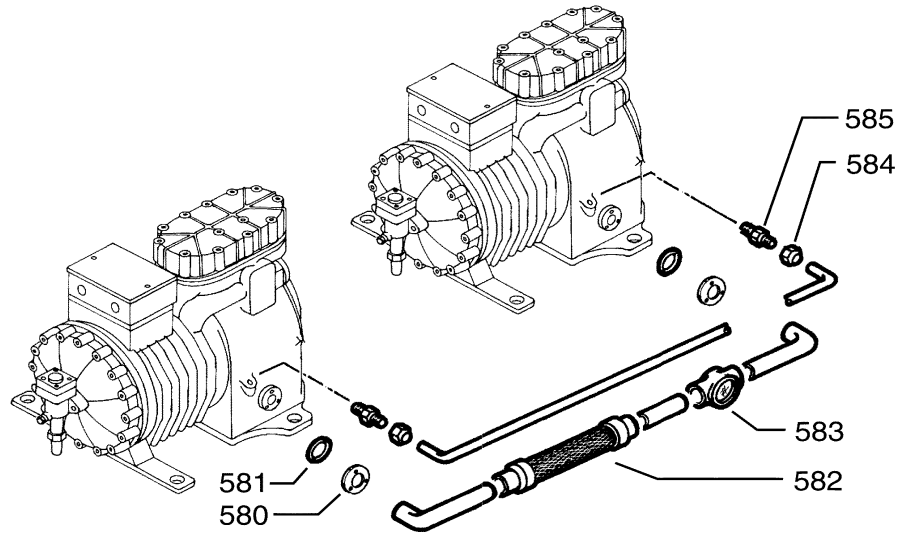
D8S.*



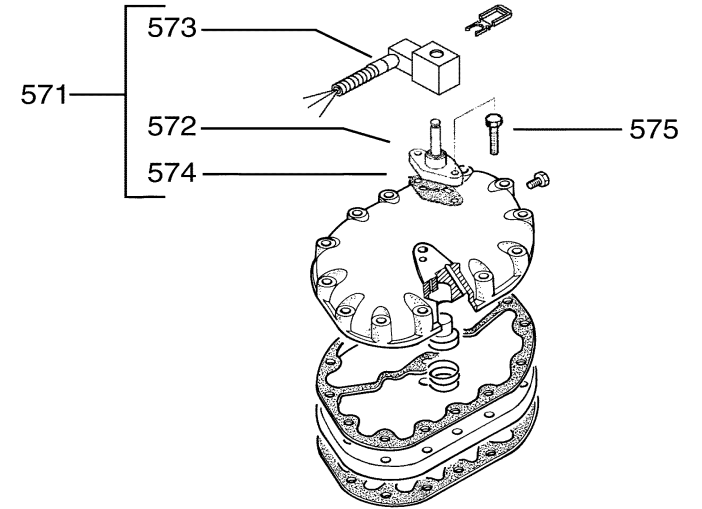
Exploded View of a Motor Compressor

D8S.*

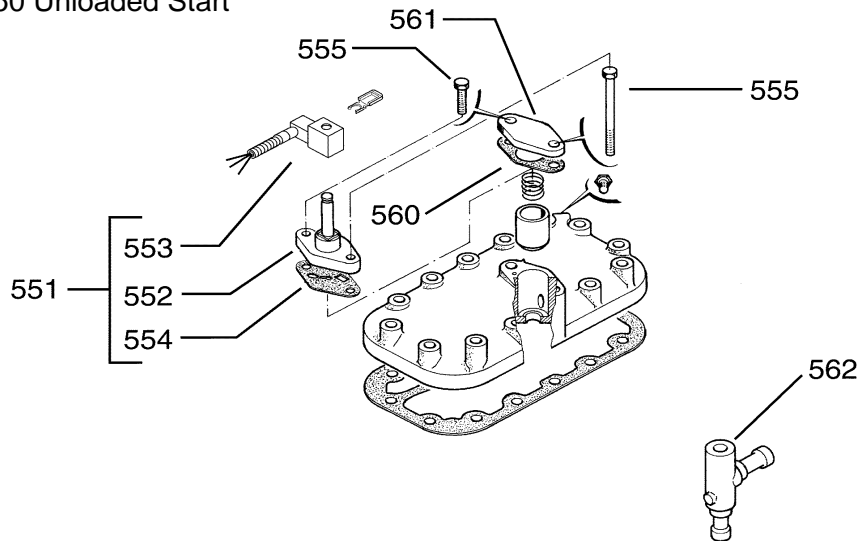
580 Oil balance tube for 2 compressors



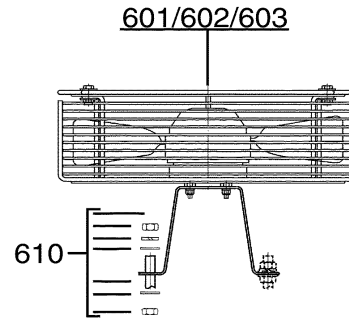
570 Capacity Control



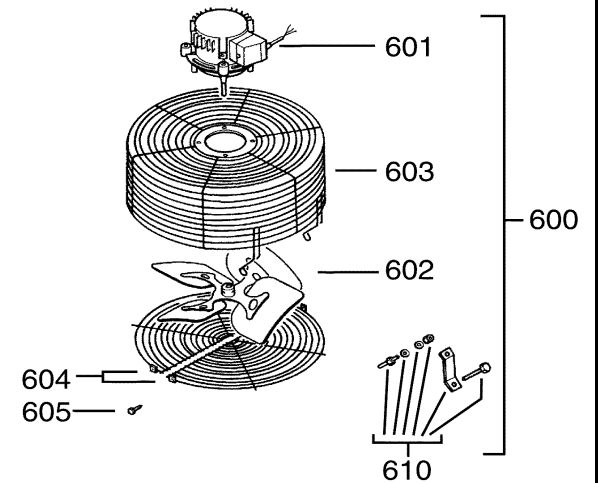
550 Unloaded Start



600 Additional fan EBM 75 Z



600 Additional fan 60W



Compressors marked with a "X" in the model name, e.g. D8SJ*-600X, are charged with ester oil and have the same parts as the standard compressors.

Diagram No.	Description	Part No.	D8SH*-3700	D8SH*-4000	D8SH*-5000	D8SJ*-4500	D8SJ*-5000	D8SJ*-6000	D8SK*-6000	D8SK*-7000
11	Bearing for motor- and gear side	3108732	2	2	2	2	2	2	2	2
21	Gasket for housing cover	2880771	1	1	1	1	1	1	1	1
21/30	Suction screen, screen strainer complete with gasket	2846184	1	1	1	1	1	1	1	1
40	Motor unit 37HP BWM/D	4563358	1							
40	Motor unit 37HP EWM/D	4563325	1							
40	Motor unit 37HP EWL	4563314	1							
40	Motor unit 37HP EWK	4563336	1							
40	Motor unit 40HP BWM/D	4563461		1						
40	Motor unit 40HP EWM/D	4563438		1						
40	Motor unit 40HP EWL	4563405		1						
40	Motor unit 40HP EWK	4563449		1						
40	Motor unit 45HP BWM/D	4563552				1				
40	Motor unit 45HP EWM/D	4563529				1				
40	Motor unit 45HP EWL	4563518				1				
40	Motor unit 45HP EWK	4563530				1				
40	Motor unit 50HP BWM/D	4563665			1		1			
40	Motor unit 50HP EWM/D	4563632			1		1			
40	Motor unit 50HP EWL	4563609			1		1			
40	Motor unit 50HP EWK	4563643			1		1			
40	Motor unit 60HP BWM/D	4563756						1	1	
40	Motor unit 60HP EWM/D	4563723						1		
40	Motor unit 60HP EWL	4563712						1		
40	Motor unit 60HP EWK	4563734						1		
40	Motor unit 70HP BWM/D	3109484								1
60	Crankshaft	2830641	1	1	1	1	1	1		
60	Crankshaft	3108776							1	1
61	Crankshaft key	2947292	1	1	1	1	1	1	1	1
62	Washer	2917631	2	2	2	2	2	2	2	2
63	Washer for crankshaft	2933186	1	1	1	1	1	1	1	1
70	Piston con-rod assy, 2 pcs per kit	2836161	4	4	4					
70	Piston con-rod assy, 2 pcs per kit	2836172				4	4	4		
70	Piston con-rod assy, 2 pcs per kit	3107933							4	4
71	Piston ring	2862402	16	16	16					

Compressors marked with a "X" in the model name, e.g. D8SJ*-600X, are charged with ester oil and have the same parts as the standard compressors.

Diagram No.	Description	Part No.	D8SH*-3700	D8SH*-4000	D8SH*-5000	D8SJ*-4500	D8SJ*-5000	D8SJ*-6000	D8SK*-6000	D8SK*-7000
71	Piston ring	2862413				16	16	16		
71	Pisten ring	3108298							16	16
80	Housing cover with bearing	3105380	1	1	1	1	1	1	1	1
81	Bearing for housing cover	3108732	1	1	1	1	1	1	1	1
82	Gasket for housing cover	2884251	1	1	1	1	1	1	1	1
91	Gasket for oil pump	2884262	1	1	1	1	1	1	1	1
	Gasket, O-ring for oil pump	2947601	1	1	1	1	1	1	1	1
112	Gasket for bottom plate	2883087	1	1	1	1	1	1	1	1
120/123	Oil screen with gasket	3806796	1	1	1	1	1	1	1	1
123	Gasket for oil screen	2885005	1	1	1	1	1	1	1	1
124	Sleeve for oil screen	2882722	1	1	1	1	1	1	1	1
130	Gas check valve	2524817	1	1	1	1	1	1	1	1
140	Oil check valve	2862060	1	1	1	1	1	1	1	1
150	Oil sight glass complete	2482519	2	2	2	2	2	2	2	2
152	Gasket for oil sight glass (1 piece)	2042028	2	2	2	2	2	2	2	2
161	Gasket for valve plate below cylinder head	6610909	4	4	4	4	4	4	4	4
161/180	Gaskets for 1 valve plate (kit), below cylinder head, below valve plate	2845498	4	4	4					
161/180	Gaskets for 1 valve plate (kit), below cylinder head, below valve plate	2845512				4	4	4		
161/180	Gaskets for 1 valve plate (kit), below cylinder head, below valve plate	3107875							4	4
180	Gasket for valve plate below valve plate	2896203	4	4	4					
180	Gasket for valve plate below valve plate	3104241				4	4	4		
180	Gasket for valve plate below valve plate	3109202							4	4
181/182/ 183	Kit for 1 valve plate (suction valve reed, crimp pad, dowel pin)	2836821	4	4	4					
181/182/ 183	Kit for 1 valve plate (suction valve reed, crimp pad, dowel pin)	2836809				4	4	4		
200/201	Suction shut-off valve with gasket, sweat 2 5/8"	2837142	1	1	1					
200/201	Suction shut-off valve with gasket, sweat 3 1/8"	2837153				1	1	1	1	1
	Suction shut-off valve with gasket, sweat 4 1/8" Tandem-compressors	2846140	1	1	1	1	1	1	1	1
201	Gasket for Gasket for pipe socket	2880873	1	1	1	1	1	1	1	1
	Gasket for suction shut-off valve Tandem-compressors	2881194	1	1	1	1	1	1	1	1
203	Gasket for Gasket for pipe socket	2880873	1	1	1	1	1	1	1	1
	Gasket for pipe socket Tandem-compressors	2881207	1	1	1	1	1	1	1	1
204	pipe socket 2 5/8	3055009	1	1	1					
204	Pipe socket 3 1/8"	2856674				1	1	1	1	1

Compressors marked with a "X" in the model name, e.g. D8SJ*-600X, are charged with ester oil and have the same parts as the standard compressors.

Diagram No.	Description	Part No.	D8SH*-3700	D8SH*-4000	D8SH*-5000	D8SJ*-4500	D8SJ*-5000	D8SJ*-6000	D8SK*-6000	D8SK*-7000
204	Pipe socket 4 1/8" Tandem-compressors	2834176	1	1	1	1	1	1	1	1
205	Flange 2 5/8"/3 1/8"	2830958	1	1	1	1	1	1	1	1
205	Flange 4 1/8" Tandem-compressors	3095376	1	1	1	1	1	1	1	1
210/211	Discharge shut-off valve with gasket, sweat 1 5/8"/42 mm	2837084	1	1	1	1	1	1		
210/211	Discharge shut-off valve with gasket, sweat 2 1/8"	2837119							1	1
211	Gasket for discharge shut-off valve	2880851	1	1	1	1	1	1		
211	Gasket for discharge shut-off valve	2880862							1	1
213	Gasket for pipe socket Henry	2880895	1	1	1	1	1	1		
213	Gasket for pipe socket Nobis	2881467	1	1	1	1	1	1		
213	Gasket for pipe socket Henry/Nobis	3091932							1	1
214	Pipe socket 1 5/8"/42 mm Henry	2938829	1	1	1	1	1	1		
214	Pipe socket 1 5/8"/42 mm Nobis	2938830	1	1	1	1	1	1		
214	Pipe socket 2 1/8" Henry	2832830							1	1
214	Pipe socket Nobis	2832841							1	1
215	Flange 1 5/8"/42mm Henry/Nobis	2050078	1	1	1	1	1	1		
215	Flange 2 1/8" Henry	2050578							1	1
215	Flange 2 1/8" Nobis	2946846							1	1
	Shipping plate with gasket and bolts (kit), suction side	2846117	1	1	1	1	1	1	1	1
	Shipping plate with gasket and bolts (kit), discharge side	2846128	1	1	1	1	1	1		
	VShipping plate with gasket and bolts (kit), discharge side	2846106							1	1
	Discharge temperature protection (kit)	4572005	1	1	1					
	Discharge temperature protection (kit)	4572016				1	1	1	1	1
	Discharge temperature protection, temperature sensor	2912396	4	4	4					
	Discharge temperature protection, temperature sensor	2912385				4	4	4	4	4
	Discharge temperature protection, module Kriwan INT 69 V external 220 V	2912501	1	1	1	1	1	1	1	1
220	Internal pressure relief valve	3086072	1	1	1	1	1	1	2	2
221	Gasket for blind flange	2829114	1	1	1	1	1	1	1	1
230	Terminal plate assy.	3068247	1	1	1	1	1	1	1	1
	Pack up terminal parts (kit)	2882879	1	1	1	1	1	1	1	1
231	Gasket for terminal plate	2880840	1	1	1	1	1	1	1	1
240	Module for VW-protection Kriwan INT 69 TM internal 24 V, DC	2832476	1	1	1	1	1	1	1	1
240	Module for VW-protection Kriwan INT 69 TM internal 24 V	2831553	1	1	1	1	1	1	1	1
240	Module for VW-protection Kriwan INT 69 TM internal 110 V	2831326	1	1	1	1	1	1	1	1

Compressors marked with a "X" in the model name, e.g. D8SJ*-600X, are charged with ester oil and have the same parts as the standard compressors.										
Diagram No.	Description	Part No.	D8SH*-3700	D8SH*-4000	D8SH*-5000	D8SJ*-4500	D8SJ*-5000	D8SJ*-6000	D8SK*-6000	D8SK*-7000
240	Module for VW-protection Kriwan INT 69 TM internal 220 V	2919411	1	1	1	1	1	1	1	1
240	Module for VW-protection Kriwan INT 69 TM internal 200-260 V	2940973	1	1	1	1	1	1	1	1
250	Terminal box	2937757	1	1	1	1	1	1	1	1
253	Terminal box cover for motor versions EW_, TW_, BW_	2937768	1	1	1	1	1	1	1	1
254	Gasket for terminal box	2938396	1	1	1	1	1	1	1	1
500	Valve plate assy	3099130	4	4	4					
500	Valve plate assy	3805806				4	4	4		
500	Valve plate assy	3107104							4	4
510	Gasket kit	2830607	1	1	1					
510	Gasket kit	2830618				1	1	1		
510	Gasket kit	3107115							1	1
520	Oil pump assy	2834778	1	1	1	1	1	1	1	1
530	Crankcase heater internal 200 W, 120 V	2832216	1	1	1	1	1	1	1	1
530	Crankcase heater internal 200 W, 240 V	2832205	1	1	1	1	1	1	1	1
530	Crankcase heater internal 200 W, 480 V	3105653	1	1	1	1	1	1	1	1
531	Bracket for heater	2941807	1	1	1	1	1	1	1	1
540	Mounting parts (kit)	2918101	1	1	1	1	1	1		
540	Mouting parts (kit)	3105404							1	1
	Rubber mounting parts (kit)	3063662	1	1	1	1	1	1	1	1
550	Unloaded start (conversion kit) w/o check valve with solenoid coil 230 V, 50/60 Hz internal ALCO CONTROLS	3806901	1	1	1					
550	Unloaded start (conversion kit) w/o check valve with solenoid coil 230 V, 50/60 Hz internal ALCO CONTROLS	3806912				1	1	1		
550	Unloaded start (conversion kit) w/o check valve with solenoid coil 230 V, 50/60 Hz internal ALCO CONTROLS	3107886							1	1
550a	Unloaded start (conversion kit) inactive w/o control valve, w/o coil, w/o check valve internal	3106689	1	1	1					
550a	Unloaded start (conversion kit) inactive w/o control valve, w/o coil, w/o check valve internal	3106690				1	1	1		
550a	Unloaded start (conversion kit) inactive w/o control valve, w/o coil, w/o check valve internal	3107897							1	1
551	Unloaded start kit (control valve, gasket, solenoid coil) 24 V, DC internal ALCO CONTROLS	2900231	1	1	1	1	1	1	1	1
551	Unloaded start kit (control valve, gasket , solenoid coil) 24 V, 50/60 Hz internal ALCO CONTROLS	2900220	1	1	1	1	1	1	1	1
551	Unloaded start kit (control valve, gasket, solenoid coil) 120 V, 50/60 Hz internal ALCO CONTROLS	2900219	1	1	1	1	1	1	1	1
551	Unloaded start kit (control valve, gasket , solenoid coil) 230 V, 50/60 Hz internal ALCO CONTROLS	2900208	1	1	1	1	1	1	1	1
552	Control valve w/o solenoid coil ALCO CONTROLS	2962471	1	1	1	1	1	1	1	1

Compressors marked with a "X" in the model name, e.g. D8SJ*-600X, are charged with ester oil and have the same parts as the standard compressors.										
Diagram No.	Description	Part No.	D8SH*-3700	D8SH*-4000	D8SH*-5000	D8SJ*-4500	D8SJ*-5000	D8SJ*-6000	D8SK*-6000	D8SK*-7000
553	Solenoid coil 24 V, DC ALCO CONTROLS	2831337	1	1	1	1	1	1	1	1
553	Solenoid coil 24 V, 50/60 Hz ALCO CONTROLS	2731051	1	1	1	1	1	1	1	1
553	Solenoid coil 120 V, 50/60 Hz ALCO CONTROLS	2830049	1	1	1	1	1	1	1	1
553	Solenoid coil 230 V, 50/60 Hz ALCO CONTROLS	2640773	1	1	1	1	1	1	1	1
554	Gasket for control valve	2884115	1	1	1	1	1	1	1	1
555	Bolt 3/8"-16 UNC x 4" 10.9 (1 piece)	2880146	2	2	2					
555	Bolt 3/8"-16 UNC x 5" 10.9 (1 piece)	2876767				2	2	2	2	2
	Gasket for shipping plate	2884115	1	1	1	1	1	1	1	1
	Shipping plate for unloaded start	2830016	1	1	1	1	1	1	1	1
562	Check valve 42 mm NRV 42 S	2946926	1	1	1	1	1	1	1	1
562	Check valve with strong spring for Tandem-compressors and parallel systems 42 mm NRVH 42 S	2952265	1	1	1	1	1	1	1	1
570	Capacity control (conversion kit) 25 % reduction 230 V, 50/60 Hz internal ALCO CONTROLS	2641652	1	1	1					
570	Capacity control (conversion kit) 50 % reduction 230 V, 50/60 Hz internal ALCO CONTROLS	2641652	2	2	2					
570	Capacity control (conversion kit) 25 % reduction 230 V, 50/60 Hz internal ALCO CONTROLS	2852558				1	1	1		
570	Capacity control (conversion kit) 50 % reduction 230 V, 50/60 Hz internal ALCO CONTROLS	2852558				2	2	2		
570	Capacity control (conversion kit) 25 % reduction 230 V, 50/60 Hz internal ALCO CONTROLS	3107900							1	1
570	Capacity control (conversion kit) 50 % reduction 230 V, 50/60 Hz internal ALCO CONTROLS	3107900							2	2
570a	Capacity control (conversion kit) inactive 25 % reduction w/o control valve, w/o coil internal	3106667	1	1	1					
570a	Capacity control (conversion kit) inactive 50 % reduction w/o control valve, w/o coil internal	3106667	2	2	2					
570a	Capacity control (conversion kit) inactive 25 % reduction w/o control valve, w/o coil internal	3106678				1	1	1		
570a	Capacity control (conversion kit) inactive 50 % reduction w/o control valve, w/o coil internal	3106678				2	2	2		
570a	Capacity control (conversion kit) inactive 25 % reduction w/o control valve, w/o coil internal	3107911							1	1
570a	Capacity control (conversion kit) inactive 50 % reduction w/o control valve, w/o coil internal	3107911							2	2
571	Capacity control conversion kit (control valve, gasket, solenoid coil) 25 % reduction 24 V, DC ALCO CONTROLS	2879562	1	1	1	1	1	1	1	1
571	Capacity control conversion kit (control valve, gasket, solenoid coil) 50 % reduction 24 V, DC ALCO CONTROLS	2879562	2	2	2	2	2	2	2	2
571	Capacity control conversion kit (control valve, gasket, solenoid coil) 25 % reduction 24 V, 50/60 Hz ALCO CONTROLS	2865796	1	1	1	1	1	1	1	1
571	Capacity control conversion kit (control valve, gasket, solenoid coil) 50 % reduction 24 V, 50/60 Hz ALCO CONTROLS	2865796	2	2	2	2	2	2	2	2
571	Capacity control conversion kit (control valve, gasket, solenoid coil) 25 % reduction 120 V, 50/60 Hz ALCO CONTROLS	2865785	1	1	1	1	1	1	1	1

Compressors marked with a "X" in the model name, e.g. D8SJ*-600X, are charged with ester oil and have the same parts as the standard compressors.										
Diagram No.	Description	Part No.	D8SH*-3700	D8SH*-4000	D8SH*-5000	D8SJ*-4500	D8SJ*-5000	D8SJ*-6000	D8SK*-6000	D8SK*-7000
571	Capacity control conversion kit (control valve, gasket, solenoid coil) 50 % reduction 120 V, 50/60 Hz ALCO CONTROLS	2865785	2	2	2	2	2	2	2	2
571	Capacity control conversion kit (control valve, gasket, solenoid coil) 25 % reduction 230 V, 50/60 Hz ALCO CONTROLS	2835339	1	1	1	1	1	1	1	1
571	Capacity control conversion kit (control valve, gasket, solenoid coil) 50 % reduction 230 V, 50/60 Hz ALCO CONTROLS	2835339	2	2	2	2	2	2	2	2
572	Control valve for capacity control w/o solenoid coil ALCO CONTROLS	2640831	1	1	1	1	1	1	1	1
573	Solenoid coil 24 V, DC ALCO CONTROLS	2831337	1	1	1	1	1	1	1	1
573	Solenoid coil 24 V, 50/60 Hz ALCO CONTROLS	2731051	1	1	1	1	1	1	1	1
573	Solenoid coil 120 V, 50/60 Hz ALCO CONTROLS	2830049	1	1	1	1	1	1	1	1
573	Solenoid coil 230 V, 50/60 Hz ALCO CONTROLS	2640773	1	1	1	1	1	1	1	1
574	Gasket for control valve	2954954	1	1	1	1	1	1	1	1
575	Bolt 3/8"-16 UNC x 3 3/4" 10.9 (1 piece)	2939173	2	2	2					
575	Bolt 3/8"-16 UNC x 5" 10.9 (1 piece)	2876767				2	2	2	2	2
	Shipping plate for capacity control (capacity control not active)	2830016	1	1	1	1	1	1	1	1
	Gasket for shipping plate	2877997	1	1	1	1	1	1	1	1
580	Flange sweat (1 piece)	2496330	2	2	2	2	2	2	2	2
581	Gasket for flange sweat (1 piece)	2042028	2	2	2	2	2	2	2	2
582	Vibration absorber	2040099	1	1	1	1	1	1	1	1
583	Oil sight glass SLG 28	2495882	1	1	1	1	1	1	1	1
584	Insert socket 1/4"-18 NPTF (1 piece)	2063909	2	2	2	2	2	2	2	2
585	Cap nut (1 piece)	2038456	2	2	2	2	2	2	2	2
	Oil and gas equalization line for 1 compressor (flange sweat, gasket, insert socket, cap nut)	3106952	1	1	1	1	1	1	1	1
	Oil regulation system, complete, ALCO OMA TraxOil	OMA-CCC	8527938	1	1	1	1	1	1	1
	Transformer for oil regulating system ALCO OMA TraxOil	ETC-523	8527518	1	1	1	1	1	1	1
	Oil balance tube for Tandem-compressors		2873768	1	1	1	1	1	1	1
	Oil pressure safety switch complete (sensor, electronic switch and PG-screw connections) 115 V, 50/60 Hz OPS1	115 V, 50/60 Hz	3115825	1	1	1	1	1	1	1
	Oil pressure safety switch complete (sensor, electronic switch and PG-screw connections) 230 V, 50/60 Hz OPS1	230 V, 50/60 Hz	3112257	1	1	1	1	1	1	1
590	Oil pressure safety switch with bracket and two capillary tubes ALCO CONTROLS		2834030	1	1	1	1	1	1	1
590	Oil pressure safety switch with bracket and sensor SENTRONIC+ NEW		2835420	1	1	1	1	1	1	1

Compressors marked with a "X" in the model name, e.g. D8SJ*-600X, are charged with ester oil and have the same parts as the standard compressors.											
Diagram No.	Description		Part No.	D8SH*-3700	D8SH*-4000	D8SH*-5000	D8SJ*-4500	D8SJ*-5000	D8SJ*-6000	D8SK*-6000	D8SK*-7000
	Electronic switch 115 V, 50/60 Hz OPS1 (CAUTION! For initial installation order 3115814, including PG-screw connections)	115 V, 50/60 Hz	3115803	1	1	1	1	1	1	1	1
	Electronic switch 230 V, 50/60 Hz OPS1 (CAUTION! For initial installation order 3112462, including PG-screw connections)	230 V, 50/60 Hz	3110795	1	1	1	1	1	1	1	1
591	Oil pressure safety switch, w/o bracket, w/o capillary tubes ALCO CONTROLS		2966622	1	1	1	1	1	1	1	1
591	Oil pressure safety switch, w/o bracket, w/o sensor, SENTRONIC (Caution! Obsolete and new SENTRONIC parts, e.g. obsolete module with new sensor, must not be used commonly), not available anymore		2951853	1	1	1	1	1	1	1	1
591	Oil pressure safety switch, w/o bracket, w/o sensor, SENTRONIC+ NEW (Caution! Obsolete and new SENTRONIC parts, e.g. obsolete module with new sensor, must not be used commonly)		3107013	1	1	1	1	1	1	1	1
591/592	Oil pressure safety switch with 2 capillary tubes, w/o bracket ALCO CONTROLS		2942300	1	1	1	1	1	1	1	1
592	Bracket for oil pressure safety switch ALCO CONTROLS/Ranco		2831020	1	1	1	1	1	1	1	1
592	Bracket for oil pressure safety switch SENTRONIC		2917697	1	1	1	1	1	1	1	1
593	Capillary tube for oil pressure safety switch with gaskets, Cu-ring ALCO CONTROLS/Ranco (1 piece)		3808214	2	2	2	2	2	2	2	2
594	Gasket, Cu-ring ALCO CONTROLS/Ranco (1 piece)		2974343	4	4	4	4	4	4	4	4
	Sensor with gaskets OPS1		3110784	1	1	1	1	1	1	1	1
	Sensor with gaskets SENTRONIC (Caution! Obsolete and new SENTRONIC parts, e.g. obsolete module with new sensor, not be used commonly), not available anymore		3807460	1	1	1	1	1	1	1	1
	Sensor with gaskets SENTRONIC+ NEW (Caution! Obsolete and new SENTRONIC parts, e.g. obsolete module with new sensor, must not be used commonly)		3107046	1	1	1	1	1	1	1	1
	Gasket, O-ring for sensor OPS1/SENTRONIC		2944124	1	1	1	1	1	1	1	1
	Gasket, circular for sensor OPS1		3112586	1	1	1	1	1	1	1	1
	Gasket, circular for sensor SENTRONIC		2951831	1	1	1	1	1	1	1	1
	PG-screw connection (kit) OPS1		3112348	1	1	1	1	1	1	1	1
	Protection cap for reset button OPS1		3112268	1	1	1	1	1	1	1	1
	Extension cable 3 m SENTRONIC (Caution! Obsolete and new SENTRONIC parts, e.g. obsolete module with new sensor, must not be used commonly)		3808087	1	1	1	1	1	1	1	1
	Extension cable 3,6 m SENTRONIC+ NEW (Caution! Obsolete and new SENTRONIC parts, e.g. obsolete module with new sensor, must not be used commonly)		3107035	1	1	1	1	1	1	1	1
600	Additional fan assy, vertical 220-1-50/60 EBM		2986179	1	1	1					
600	Additional fan assy, vertical 220-1-50/60 EBM		2986204				1	1	1	1	1
600	Additional fan assy, vertical 220/380-3-50/60 EBM		2986168	1	1	1					
600	Additional fan assy, vertical 220/380-3-50/60 EBM		2986191				1	1	1	1	1

Miscellaneous					
Item	Specification	Order Number	Item	Specification	Order Number
Adapter	1/8" - 27 NPTF	2059791	Waterhose	1/2"	2486102
Adapter	1/4" - 18 NPTF	2038650	Waterhose	1"	2487569
Angle adapter	1/4" - 18 NPTF	2038956	Worm drive hose clip for waterhose	1/2"	2486113
T-adapter	1/8" - 27 NPTF	2059780	Worm drive hose clip for waterhose	1"	2487570
T-adapter	1/4" - 18 NPTF	2059779	Oil separator	OS-16	2981265
T-adapter for oil pressure safety switch	1/4" - 18 NPTF	2039993	Oil separator	OS-22 F	3097941
Schrader valve	1/8" - 27 NPTF	2051117	Oil separator	OS-28 F	2946482
Schrader valve	1/4" - 18 NPTF	2830696	Socket wrench for Torx-screw (rod)	1/2" - Drive	2455275
Schrader valve - T	1/8" - 27 NPTF	2048797	Sight glass key DK, DL, DN (except DN..2)		2831213
Connection for Schrader valve		2502400	Key for sight glass retainer for oil balance DK, DL, DN (except DN..2)	DK, DL, DN (except DN..2)	2831462
Loctite (tube 50 cm3)	Loctite 572	2195148	Screw plug	1/8" - 27 NPTF	2043156
Refrigeration-oil (can 1 l)	SHELL 22-12	2190814	Screw plug	1/4" - 18 NPTF	2045685
Refrigeration-oil (can 4 l)	Suniso 3 GS	3103953	Screw plug	3/8" - 18 NPTF	2040997
Refrigeration-oil (can 3 l)	ALKYLAT 150 DT	2834234	Screw plug	1/2" - 14 NPTF	2856027
Refrigeration-oil (can 1 US quart, appr. 0,946 l)	Mobil EAL ARCTIC 22 CC	3808203	Screw plug for liquid receiver and WR/K-receiver	1/2" - 14 NPTF Ms	2976838
Refrigeration-oil (can 1 US gallone, appr. 3,8 l)	Mobil EAL ARCTIC 22 CC	3808190	Liquid receiver, special horizontal design	13 l for DK	2479699
Refrigeration-oil (can 1 l)	ICI EMKARATE RL 32 CF	3808112	Liquid receiver, special horizontal design	23 l for DL, DN, DM, D2	2479702
Refrigeration-oil (can 5 l)	ICI EMKARATE RL 32 CF	3808123	Liquid receiver, special horizontal design	44 l for DL, DN, DM, D2, D3, D9, D4, D6	2479713
Refrigeration-oil (canister 25 l)	ICI EMKARATE RL 32 CF	3808134	Hand-refractometer	998-RMET-00	8024575
Varnish, grey (can 1 kg)	RAL 7031	2641141	Module for S-protection (complete for conversion into MP 23)	Kriwan INT 300 internal 120 V	3806025
Varnish, grey, spray (carton, 6 cans)	RAL 7031	2836898	Module for S-protection (complete for conversion into MP 23)	Kriwan INT 300 internal 230 V	2941852
Capillary tube with gaskets, Cu-ring	2,4 x 0,45 1000 mm length	3808214			
Capillary tube with gaskets, Cu-ring	2,4 x 0,45 1500 mm length	3808225			
Cleaning brushes for WR/K-condensers		2039324			