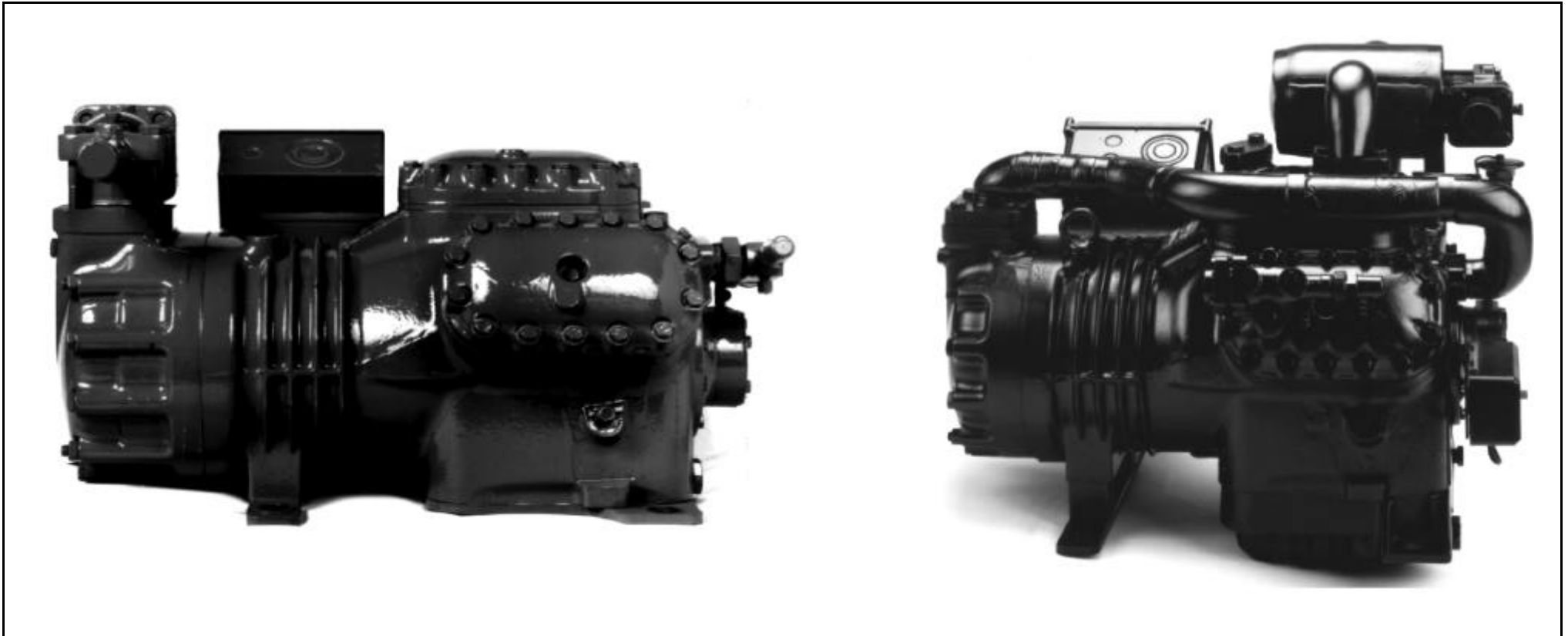

DWM COPELAND

Spare Parts List for
Motor-Compressors

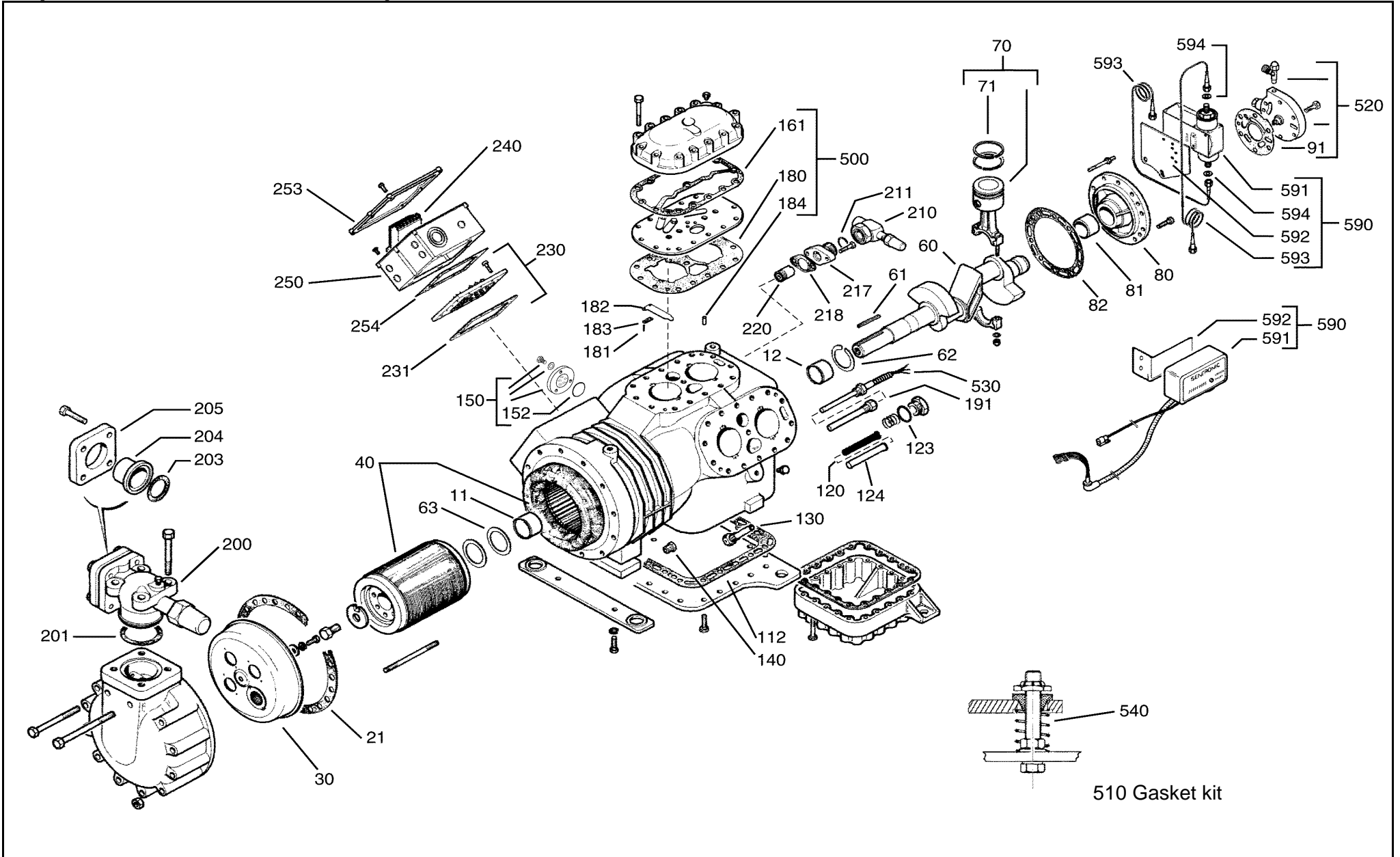
D6S.* / D6T.*



04/02

Exploded View of a Motor Compressor

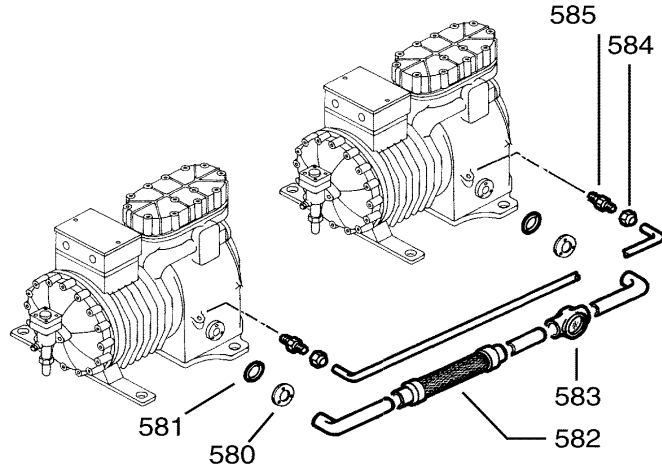
D6S.* / D6T.*



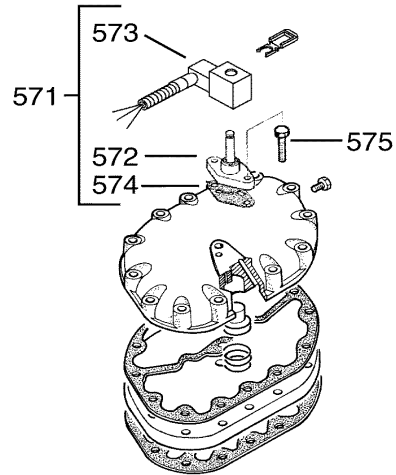
Exploded Views of Accessories

D6S.* / D6T.*

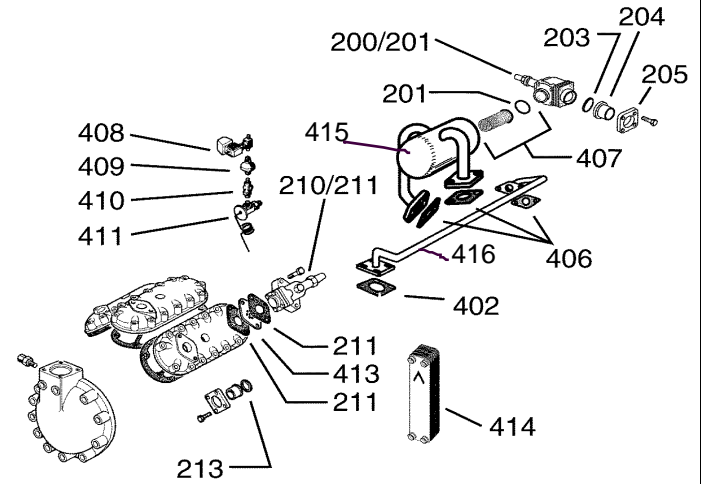
580 Oil balance tube for 2 compressors



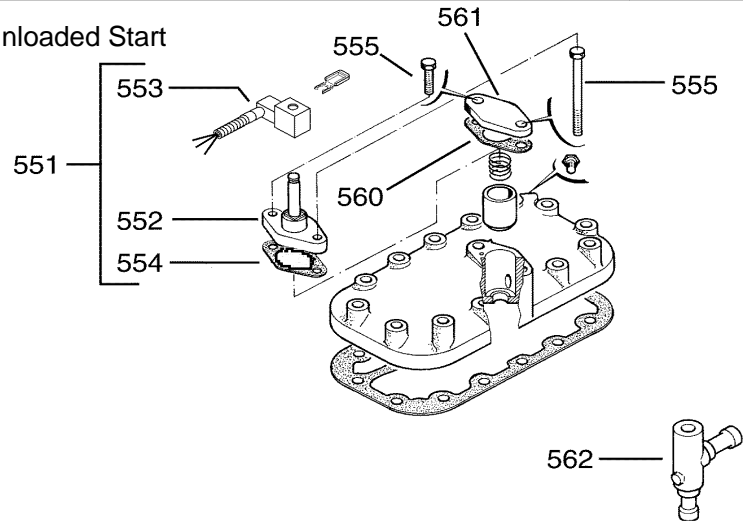
570 Capacity Control



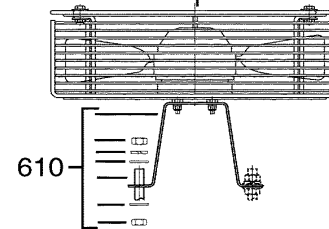
Differing parts for 2-stage compressors



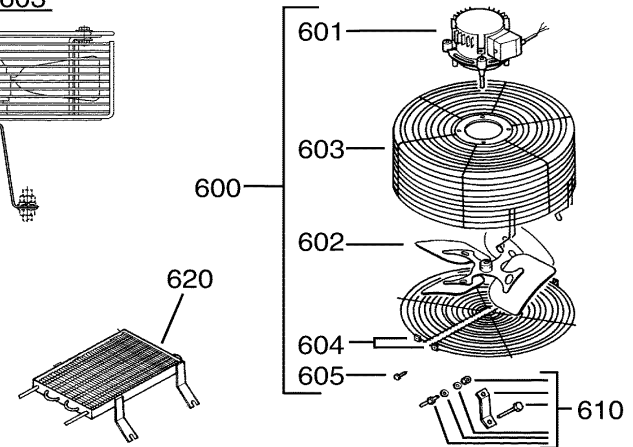
550 Unloaded Start



600 Additional fan EBM 75 Z
601/602/603



600 Additional fan 60W



Compressors marked with a "X" in the model name, e.g. D6SJ*-300X, are charged with ester oil and have the same parts as the standard compressors.															
Diagram No.	Description	Part No.	D6SA*-2000	D6SF*-2000	D6SH*-2000	D6SL*-2500	D6SA*-3000	D6SJ*-3000	D6ST*-3000	D6ST*-3200	D6SH*-3500	D6SJ*-4000	D6TA*-1500	D6TH*-2000	D6TJ*-2500
11	Bearing motor side	2882675	1	1	1	1	1	1	1	1	1	1	1	1	1
12	Bearing gear side	2882686	1	1	1	1	1	1	1	1	1	1	1	1	1
21	Gasket for stator cover	2882802	1	1	1	1	1	1	1		1	1	1	1	
	Baffle plate	2886042				1			1	1					
21/30	Suction strainer assy complete with gasket	2846162	1	1	1	1	1		1	1	1				
21/30	Suction strainer assy complete with gasket	2846173						1				1			
40	Motor unit 15HP AWM/D	4561603												1	
40	Motor unit 15HP EWM/D	4561647												1	
40	Motor unit 15HP EWL	4561625												1	
40	Motor unit 15HP EWK	4561636												1	
40	Motor unit 20HP AWM/D	4561692													1
40	Motor unit 20HP EWM/D	4561738													1
40	Motor unit 20HP EWL	4561716													1
40	Motor unit 20HP EWK	4561727													1
40	Motor unit 25HP AWM/D	4561783													1
40	Motor unit 25HP EWM/D	4561885													1
40	Motor unit 25HP EWL	4561807													1
40	Motor unit 25HP EWK	4561874													1
40	Motor unit 20HP AWM/D	4562219	1	1											
40	Motor unit 20HP EWM/D	4562208	1	1											
40	Motor unit 20HP EWL	4562195	1	1											
40	Motor unit 20HP EWK	4562242	1	1											
40	Motor unit 20HP AWM/D	4562300			1										
40	Motor unit 20HP EWM/D	4562297			1										
40	Motor unit 20HP EWL	4562286			1										
40	Motor unit 20HP EWK	4562333			1										
40	Motor unit 25HP AWM/D	4562526				1									
40	Motor unit 25HP EWM/D	4562515				1									
40	Motor unit 25HP EWL	4562504				1									
40	Motor unit 25HP EWK	4562559				1									
40	Motor unit 30HP AWM/D	4562708					1								
40	Motor unit 30HP EWM/D	4562695					1								
40	Motor unit 30HP EWL	4562684					1								

Diagram No.	Description	Part No.	Compressors marked with a "X" in the model name, e.g. D6SJ*-300X, are charged with ester oil and have the same parts as the standard compressors.																		
			D6SA*-2000	D6SF*-2000	D6SH*-2000	D6SL*-2500	D6SA*-3000	D6SJ*-3000	D6ST*-3000	D6ST*-3200	D6SH*-3500	D6SJ*-4000	D6TA*-1500	D6TH*-2000	D6TJ*-2500						
40	Motor unit 30HP EWK	4562731					1														
40	Motor unit 30HP AWM/D	4562797							1	1											
40	Motor unit 30HP EWM/D	4562786							1	1											
40	Motor unit 30HP EWL	4562775							1	1											
40	Motor unit 30HP EWK	4562822							1	1											
40	Motor unit 32HP AWM/D	3106430										1									
40	Motor unit 32HP EWM/D	3106429										1									
40	Motor unit 32HP EWL	3106418										1									
40	Motor unit 32HP EWK	3106463										1									
40	Motor unit 35HP AWM/D	4562888											1								
40	Motor unit 35HP EWM/D	4562877											1								
40	Motor unit 35HP EWL	4562866											1								
40	Motor unit 35HP EWK	4562913											1								
40	Motor unit 40HP AWM/D	4562979												1							
40	Motor unit 40HP EWM/D	4562968												1							
40	Motor unit 40HP EWL	4562957												1							
40	Motor unit 40HP EWK	4563007												1							
60	Crankshaft	2050476	1	1														1			
60	Crankshaft	2050249			1	1														1	
60	Crankshaft	2050885					1														
60	Crankshaft	2050647						1	1	1	1	1	1								1
61	Crankshaft key	2049814	1	1															1		
61	Crankshaft key	2474207			1	1														1	
61	Crankshaft key	2050501					1														
61	Crankshaft key	2050658						1	1	1	1	1	1								1
62	Washer open (gear side)	2858556	1	1	1	1	1	1	1	1	1	1	1	1	1	1	1	1	1	1	1
63	Washer closed (motor side)	2856823	1	1	1	1	1	1	1	1	1	1	1	1	1	1	1	1	1	1	1
70	Piston con-rod assy, 2 pcs per kit	2836116	3	3			3							3					3		
70	Piston con-rod assy, 2 pcs per kit	2836127			3	3								3						3	
70	Piston con-rod assy, 2 pcs per kit	2836149							3	3	3			3							3
71	Piston ring	2972074	12	12			12												12		
71	Piston ring	2972096			12	12							12							12	
71	Piston ring	2972110							12	12	12			12							12

Compressors marked with a "X" in the model name, e.g. D6SJ*-300X, are charged with ester oil and have the same parts as the standard compressors.															
Diagram No.	Description	Part No.	D6SA*-2000	D6SF*-2000	D6SH*-2000	D6SL*-2500	D6SA*-3000	D6SJ*-3000	D6ST*-3000	D6ST*-3200	D6SH*-3500	D6SJ*-4000	D6TA*-1500	D6TH*-2000	D6TJ*-2500
80	Housing cover with bearing	2885992	1	1	1	1	1	1	1	1	1	1	1	1	1
80	Housing cover with bearing for oil cooler connection	2886008		1		1			1						
81	Bearing for housing cover	2882686	1	1	1	1	1	1	1	1	1	1	1	1	1
82	Gasket for housing cover	2884251	1	1	1	1	1	1	1	1	1	1	1	1	1
91	Gasket for oil pump	2884262	1	1	1	1	1	1	1	1	1	1	1	1	1
	Gasket, O-ring for oil pump	2947601	1	1	1	1	1	1	1	1	1	1	1	1	1
112	Gasket for bottom plate	2883087	1	1	1	1	1	1	1	1	1	1	1	1	1
120/123	Oil screen with gasket	3806796	1	1	1	1	1	1	1	1	1	1	1	1	1
123	Gasket for oil screen	2885005	1	1	1	1	1	1	1	1	1	1	1	1	1
124	Sleeve for oil screen	2882722	1	1	1	1	1	1	1	1	1	1	1	1	1
130	Gas check valve	2895620	1	1	1	1	1	1	1	1	1	1	1	1	1
140	Oil check valve	2862060	1	1	1	1	1	1	1	1	1	1	1	1	1
150	Oil sight glass assy.	2482519	1	1	1	1	1	1	1	1	1	1	1	1	1
152	Gasket for oil sight glass	2042028	1	1	1	1	1	1	1	1	1	1	1	1	1
161	Gasket for valve plate below cylinder head (1 piece)	6610909	3	3	3	3	3	3	3	3	3	3			
161	Gasket for valve plate below cylinder head HP	2975197											1		
161	Gasket for valve plate below cylinder head HP	2975006												1	1
161	Gasket for valve plate below cylinder head LP (1 piece)	6610909											2	2	2
161/180	Gaskets for 1 valve plate (kit) below cylinder head and below valve plate	2845487	3	3			3								
161/180	Gaskets for 1 valve plate (kit) below cylinder head and below valve plate	2845498			3	3					3				
161/180	Gaskets for 1 valve plate (kit) below cylinder head and below valve plate	2845501						3	3	3		3			
161/180	Gaskets for 1 valve plate (kit) below cylinder head and below valve plate	3805442											3		
161/180	Gaskets for 1 valve plate (kit) below cylinder head and below valve plate	3805453												3	
161/180	Gaskets for 1 valve plate (kit) below cylinder head and below valve plate	3805464													3
180	Gasket for valve plate below valve plate (1 piece)	2528762	3	3			3						3		
180	Gasket for valve plate below valve plate (1 piece)	2896203			3	3					3			3	
180	Gasket for valve plate below valve plate (1 piece)	3104241						3	3	3		3			
180	Gasket for valve plate below valve plate LP-stage (1 piece)	3104241													2
180	Gasket for valve plate below valve plate HP-stage until 11.92	2528831													1
180	Gasket for valve plate below valve plate HP-stage from 12.92	3104241													1
181/182/ 183	Parts for 1 valve plate (suction valve reed, pad, dowel pin)	2836774	3	3			3						3		
181/182/ 183	Parts for 1 valve plate (suction valve reed, pad, dowel pin)	2836785			3	3					3			3	
181/182/ 183	Parts for 1 valve plate (suction valve reed, pad, dowel pin)	2836809						3	3	3		3			

Compressors marked with a "X" in the model name, e.g. D6SJ*-300X, are charged with ester oil and have the same parts as the standard compressors.															
Diagram No.	Description	Part No.	D6SA*-2000	D6SF*-2000	D6SH*-2000	D6SL*-2500	D6SA*-3000	D6SJ*-3000	D6ST*-3000	D6ST*-3200	D6SH*-3500	D6SJ*-4000	D6TA*-1500	D6TH*-2000	D6TJ*-2500
181/182/ 183	Parts for 1 valve plate (suction valve reed, pad, dowel pin) LP-stage at 11.92	2836809													2
181/182/ 183	Parts for 1 valve plate (suction valve reed, pad, dowel pin) HP-stage until 11.92	2836810													1
181/182/ 183	Parts for 1 valve plate (suction valve reed, pad, dowel pin) LP and HP-stage from 12.92	2836809													3
191	Sleeve for crankcase heater	6610181	1	1	1	1	1				1		1	1	
200/201	Suction shut-off valve with gasket, sweat 1 5/8"/42 mm	2837084											1	1	1
200/201	Suction shut-off valve with gasket, sweat 2 1/8"	2837119	1	1	1	1	1	1	1	1	1	1			
	Suction shut-off valve with gasket, sweat 2 5/8" Tandem-compressors	2837142	1	1											
	Suction shut-off valve with gasket, sweat 3 1/8" Tandem-compressors	2837153			1	1	1	1	1	1	1	1			
201	Gasket for suction shut-off valve	2880851											1	1	1
201	Gasket for suction shut-off valve	2880862	1	1	1	1	1	1	1	1	1	1			
	Gasket for Gasket for suction shut-off valve Tandem-compressors	2880873	1	1	1	1	1	1	1	1	1	1			
	Gasket for adapter, suction chamber/suction shut-off valve Tandem-compressors	2881183	1	1	1	1	1	1	1	1	1	1			
203	Gasket for pipe socket Henry	2880895											1	1	1
203	Gasket for pipe socket Nobis	2881467											1	1	1
203	Gasket for pipe socket	3091932	1	1	1	1	1	1	1	1	1	1			
	Gasket for Gasket for pipe socket Tandem-compressors	2880873	1	1	1	1	1	1	1	1	1	1			
204	Pipe socket 1 5/8"/42 mm Henry	2938829											1	1	1
204	Pipe socket 1 5/8"/42 mm Nobis	2938830											1	1	1
204	Pipe socket 2 1/8" Henry	2832830	1	1	1	1	1	1	1	1	1	1			
204	Pipe socket 2 1/8" Nobis	2832841	1	1	1	1	1	1	1	1	1	1			
	Pipe socket 2 5/8" Tandem-compressors	3055009	1	1											
	Pipe socket 3 1/8" Tandem-compressors	2856674			1	1	1	1	1	1	1	1			
205	Flange 1 5/8"/42mm Henry/Nobis	2050078											1	1	1
205	Flange 2 1/8" Henry	2050578	1	1	1	1	1	1	1	1	1	1			
205	Flange 2 1/8" Nobis	2946846	1	1	1	1	1	1	1	1	1	1			
	Flange 2 5/8"/3 1/8" Tandem-compressors	2830958	1	1	1	1	1	1	1	1	1	1			
210/211	Discharge shut-off valve with gasket, sweat 1 3/8"	2837062											1	1	1
210/211	Discharge shut-off valve with gasket, sweat 1 3/8"	2837120	1	1	1	1	1	1	1	1	1	1			
211	Gasket for discharge shut-off valve	2829114											2	2	2
211	Gasket for discharge shut-off valve	2050772	1	1	1	1	1	1	1	1	1	1			
213	Gasket for pipe socket	2880884											1	1	1
214	Pipe socket 1 3/8"	2048060											1	1	1
215	Flange 1 3/8"	2045152											1	1	1

Diagram No.	Description	Part No.	Compressors marked with a "X" in the model name, e.g. D6SJ*-300X, are charged with ester oil and have the same parts as the standard compressors.														
			D6SA*-2000	D6SF*-2000	D6SH*-2000	D6SL*-2500	D6SA*-3000	D6SJ*-3000	D6ST*-3000	D6ST*-3200	D6SH*-3500	D6SJ*-4000	D6TA*-1500	D6TH*-2000	D6TJ*-2500		
	Shipping plate with gasket and screws (kit), suction side	2846106	1	1	1	1	1	1	1	1	1	1	1	1	1	1	1
	Shipping plate with gasket and screws (kit), discharge side	2846082	1	1	1	1	1	1	1	1	1	1	1	1	1	1	1
217	Mounting adapter for Rotalock valve	2050749	1	1	1	1	1	1	1	1	1	1	1				
218	Gasket for mounting adapter Rotalock valve	2880908	1	1	1	1	1	1	1	1	1	1	1				
	Discharge temperature protection kit	2825305	1	1				1	1					1			
	Discharge temperature protection kit	2825327			1	1				1	1	1					
	Discharge temperature protection, temperature sensor (1 piece)	2912385	3	3				3	3					3			
	Discharge temperature protection, temperature sensor (1 piece)	2912396			3	3				3	3	3					
	Module for discharge temperature protection Kriwan INT 69 V external 220 V	2912501	1	1	1	1	1	1	1	1	1	1	1	1			
220	Internal pressure relief valve	3086072	1	1	1	1	1	1	1	1	1	1	1	1			
220	Internal pressure relief valve	6611059													1	1	1
230	Terminal plate assy.	2514225	1	1	1	1	1	1	1	1					1	1	1
230	Terminal plate assy.	2829330										1	1	1			
	Pack up terminal parts (kit)	2865592	1	1	1	1	1	1	1	1	1	1	1	1	1	1	1
231	Gasket for terminal plate	2880840	1	1	1	1	1	1	1	1	1	1	1	1	1	1	1
240	Module for VW-protection Kriwan INT 69 TM internal 24 V, DC	2832476	1	1	1	1	1	1	1	1	1	1	1	1	1	1	1
240	Module for VW-protection Kriwan INT 69 TM internal 24 V	2831553	1	1	1	1	1	1	1	1	1	1	1	1	1	1	1
240	Module for VW-protection Kriwan INT 69 TM internal 110 V	2831326	1	1	1	1	1	1	1	1	1	1	1	1	1	1	1
240	Module for VW-protection Kriwan INT 69 TM internal 220 V	2919411	1	1	1	1	1	1	1	1	1	1	1	1	1	1	1
240	Module for VW-protection Kriwan INT 69 TM internal 200-260 V	2940973	1	1	1	1	1	1	1	1	1	1	1	1	1	1	1
250	Terminal box	2937757	1	1	1	1	1	1	1	1	1	1	1	1	1	1	1
253	Cover for terminal box motor EW_, TW_, AW_	2937768	1	1	1	1	1	1	1	1	1	1	1	1	1	1	1
254	Gasket for terminal box	2938396	1	1	1	1	1	1	1	1	1	1	1	1	1	1	1
402	Gasket for manifold, 4-hole-flange	2881172													1	1	1
406	Gasket for manifold and suction-header, 2-hole-flange (1 piece)	2829114													3	3	3
407	Suction screen with gasket, low-pressure	3806763													1	1	1
408	Solenoid valve 24 V, DC ALCO CONTROLS	2998687													1	1	1
408	Solenoid valve 24 V, 50/60 Hz ALCO CONTROLS	2998698													1	1	1
408	Solenoid valve 120 V, 50/60 Hz ALCO CONTROLS	2998701													1	1	1
408	Solenoid valve 230 V, 50/60 Hz ALCO CONTROLS	2998712													1	1	1
409	Filter for inter-stage injection	2051015													1	1	1
410	Sight glass for inter-stage injection	2991039													1	1	1
411	Expansion valve for operation with subcooler Sporlan BFVECC	6611048													1	1	1

Diagram No.	Description	Part No.	Compressors marked with a "X" in the model name, e.g. D6SJ*-300X, are charged with ester oil and have the same parts as the standard compressors.																	
			D6SA*-2000	D6SF*-2000	D6SH*-2000	D6SL*-2500	D6SA*-3000	D6SJ*-3000	D6ST*-3000	D6ST*-3200	D6SH*-3500	D6SJ*-4000	D6TA*-1500	D6TH*-2000	D6TJ*-2500					
553	Solenoid coil 24 V, DC ALCO CONTROLS	2831337	1	1	1	1	1	1	1	1	1	1	1	1						
553	Solenoid coil 24 V, 50/60 Hz ALCO CONTROLS	2731051	1	1	1	1	1	1	1	1	1	1	1	1						
553	Solenoid coil 120 V, 50/60 Hz ALCO CONTROLS	2830049	1	1	1	1	1	1	1	1	1	1	1	1						
553	Solenoid coil 230 V, 50/60 Hz ALCO CONTROLS	2640773	1	1	1	1	1	1	1	1	1	1	1	1						
554	Gasket for control valve	2884115	1	1	1	1	1	1	1	1	1	1	1	1						
555	Bolt 3/8"-16 UNC x 4" 10.9 (1 piece)	2880146	2	2	2	2	2			2	2	2								
555	Bolt 3/8"-16 UNC x 5" 10.9 (1 piece)	2876767								2					2					
560	Gasket for shipping plate	2884115	1	1	1	1	1	1	1	1	1	1	1	1						
561	Shipping plate for unloaded start	2830016	1	1	1	1	1	1	1	1	1	1	1	1						
562	Check valve 22 mm NRV 22 S	2946891	1	1		1					1	1								
562	Check valve with strong spring for Tandem-compressors and parallel-systems 22 mm NRVH 22 S	2952243	1	1		1					1	1								
562	Check valve 28 mm NRV 28 S	2946904				1		1	1				1	1						
562	Check valve with strong spring for Tandem-compressors and parallel-systems 28 mm NRVH 28 S	2952254				1		1	1				1	1						
570	Capacity control (conversion kit) 33 % reduction 230 V, 50/60 Hz internal ALCO CONTROLS	2641652	1	1	1	1	1				1	1	1							
570	Capacity control (conversion kit) 66 % reduction 230 V, 50/60 Hz internal ALCO CONTROLS	2641652	2	2	2	2	2				2	2	2							
570	Capacity control (conversion kit) 33 % reduction 230 V, 50/60 Hz internal ALCO CONTROLS	2852558								1						1				
570	Capacity control (conversion kit) 66 % reduction 230 V, 50/60 Hz internal ALCO CONTROLS	2852558								2						2				
570a	Capacity control (conversion kit) inactive 33 % reduction, w/o control valve, w/o solenoid coil internal	3106667	1	1	1	1	1				1	1	1							
570a	Capacity control (conversion kit) inactive 66 % reduction, w/o control valve, w/o solenoid coil internal	3106667	2	2	2	2	2				2	2	2							
570a	Capacity control (conversion kit) inactive 33 % reduction, w/o control valve, w/o solenoid coil internal	3106678								1						1				
570a	Capacity control (conversion kit) inactive 66 % reduction, w/o control valve, w/o solenoid coil internal	3106678								2						2				
571	Capacity control kit (control valve, gasket, solenoid coil) 33 % reduction 24 V, DC ALCO CONTROLS	2879562	1	1	1	1	1	1	1	1	1	1	1	1	1					

Diagram No.	Description		Part No.	D6SA*-2000	D6SF*-2000	D6SH*-2000	D6SL*-2500	D6SA*-3000	D6SJ*-3000	D6ST*-3000	D6ST*-3200	D6SH*-3500	D6SJ*-4000	D6TA*-1500	D6TH*-2000	D6TJ*-2500
	Compressors marked with a "X" in the model name, e.g. D6SJ*-300X, are charged with ester oil and have the same parts as the standard compressors.															
	Transformer for oil regulating system ALCO OMA TraxOil	ETC-523	8527518	1	1	1	1	1	1	1	1	1	1	1	1	1
	Oil pressure safety switch complete (sensor, electronic switch and PG-screw connections) 115 V, 50/60 Hz OPS1	115 V, 50/60 Hz	3115825	1	1	1	1	1	1	1	1	1	1	1	1	1
	Oil pressure safety switch complete (sensor, electronic switch and PG-screw connections) 230 V, 50/60 Hz OPS1	230 V, 50/60 Hz	3112257	1	1	1	1	1	1	1	1	1	1	1	1	1
590	Oil pressure safety switch with bracket and 2 capillary tubes ALCO CONTROLS		2834018	1	1	1	1	1	1	1	1	1	1	1	1	1
590	Oil pressure safety switch with bracket and sensor SENTRONIC+ NEW		2835419	1	1	1	1	1	1	1	1	1	1	1	1	1
	Electronic switch 115 V, 50/60 Hz OPS1 (CAUTION! For initial installation order 3115814, including PG-screw connections)	115 V, 50/60 Hz	3115803	1	1	1	1	1	1	1	1	1	1	1	1	1
	Electronic switch 230 V, 50/60 Hz OPS1 (CAUTION! For initial installation order 3112462, including PG-screw connections)	230 V, 50/60 Hz	3110795	1	1	1	1	1	1	1	1	1	1	1	1	1
591	Oil pressure safety switch, w/o bracket, w/o capillary tubes ALCO CONTROLS		2966622	1	1	1	1	1	1	1	1	1	1	1	1	1
591	Oil pressure safety switch, w/o bracket, w/o sensor, SENTRONIC (Caution! Obsolete and new SENTRONIC parts, e.g. obsolete module with new sensor, must not be used commonly), not available anymore		2951853	1	1	1	1	1	1	1	1	1	1	1	1	1
591	Oil pressure safety switch, w/o bracket, w/o sensor, SENTRONIC+ NEW (Caution! Obsolete and new SENTRONIC parts, e.g. obsolete module with new sensor, must not be used commonly)		3107013	1	1	1	1	1	1	1	1	1	1	1	1	1
591/593	Oil pressure safety switch with 2 capillary tubes, w/o bracket ALCO CONTROLS		2942300	1	1	1	1	1	1	1	1	1	1	1	1	1
592	Bracket for oil pressure safety switch ALCO CONTROLS/Ranco		2039960	1	1	1	1	1	1	1	1	1	1	1	1	1
592	Bracket for oil pressure safety switch SENTRONIC		2884557	1	1	1	1	1	1	1	1	1	1	1	1	1
593	Capillary tube for oil pressure safety switch with gaskets, Cu-ring ALCO CONTROLS/Ranco (1 piece)		3808214	2	2	2	2	2	2	2	2	2	2	2	2	2
594	Gasket, Cu-ring ALCO CONTROLS/Ranco (1 piece)		2974343	4	4	4	4	4	4	4	4	4	4	4	4	1
	Sensor with gaskets OPS1		3110784	1	1	1	1	1	1	1	1	1	1	1	1	1
	Sensor with gaskets SENTRONIC (Caution! Obsolete and new SENTRONIC parts, e.g. obsolete module with new sensor, must not be used commonly), not available anymore		3807460	1	1	1	1	1	1	1	1	1	1	1	1	1
	Sensor with gaskets SENTRONIC+ NEW (Caution! Obsolete and new SENTRONIC parts, e.g. obsolete module with new sensor, must not be used commonly)		3107046	1	1	1	1	1	1	1	1	1	1	1	1	1
	Gasket, O-ring for sensor OPS1/SENTRONIC		2944124	1	1	1	1	1	1	1	1	1	1	1	1	1
	Gasket, circular for sensor OPS1		3112586	1	1	1	1	1	1	1	1	1	1	1	1	1
	Gasket, circular for sensor SENTRONIC		2951831	1	1	1	1	1	1	1	1	1	1	1	1	1
	PG-screw connection (kit) OPS1		3112348	1	1	1	1	1	1	1	1	1	1	1	1	1

Diagram No.	Description	Part No.	D6SA*-2000	D6SF*-2000	D6SH*-2000	D6SL*-2500	D6SA*-3000	D6SJ*-3000	D6ST*-3000	D6ST*-3200	D6SH*-3500	D6SJ*-4000	D6TA*-1500	D6TH*-2000	D6TJ*-2500
	Compressors marked with a "X" in the model name, e.g. D6SJ*-300X, are charged with ester oil and have the same parts as the standard compressors.														
	Protection cap for reset botton OPS1	3112268	1	1	1	1	1	1	1	1	1	1	1	1	1
	Extension cable 3 m SENTRONIC (Caution! Obsolete and new SENTRONIC parts, e.g. obsolete module with new sensor, must not be used commonly)	3808087	1	1	1	1	1	1	1	1	1	1	1	1	1
	Extension cable 3,6 m SENTRONIC+ NEW (Caution! Obsolete and new SENTRONIC parts, e.g. obsolete module with new sensor, must not be used commonly)	3107035	1	1	1	1	1	1	1	1	1	1	1	1	1
600	Additional fan assy, vertical 60 W, 220-1-50, only for compressors with oil cooler	2919626		1	1			1							
600	Additional fan assy, vertical, 60 W, 220/380-3-50/60, only for compressors with oil	2919615		1	1			1							
600	Additional fan assy, vertical, 220-1-50/60 EBM, not for compressors with oil cooler	2987741	1	1	1	1	1		1	1	1				
600	Additional fan assy, vertical, 220-1-50/60 EBM, not for compressors with oil cooler	2987810						1				1			
600	Additional fan assy, vertical, 220/380-3-50/60 EBM, not for compressors with oil cooler	2987729	1	1	1	1	1		1	1	1				
600	Additional fan assy, vertical, 220/380-3-50/60 EBM, not for compressors with oil cooler	2987809						1				1			
600	Additional fan assy, vertical, 500-3-50 EBM, not for compressors with oil cooler	2987796	1	1	1	1	1		1	1	1				
600	Additional fan assy, vertical, 500-3-50 EBM, not for compressors with oil cooler	2987821						1				1			
601	Motor for additional fan 60 W, 220/380-3-50/60 (if motor is 220-1-50, please order additionally run capacitor 6 µF)	2487456	1	1	1	1	1	1	1	1	1	1			
601/602/ 603	Additional fan assy, vertical 220-1-50/60 EBM w/o mounting kit	2998245	1	1	1	1	1	1	1	1	1	1			
601/602/ 603	Additional fan assy, vertical 220/380-3-50/60 EBM w/o mounting kit	2998256	1	1	1	1	1	1	1	1	1	1			
601/602/ 603	Additional fan assy, vertical 500-3-50 EBM w/o mounting kit	2998267	1	1	1	1	1	1	1	1	1	1			
	Run capacitor 6 µF for fan motor 50/55/60 W	2728686	1	1	1	1	1	1	1	1	1	1			
	Run capacitor 5 µF for additional fan 220-1-50/60 EBM	3097996	1	1	1	1	1	1	1	1	1	1			
602	Fan blade for additional fan 60 W (4 blades), ø 305 mm 33°	2728131	1	1	1	1	1	1	1	1	1	1			
603	Fan guard for additional fan 60 W; for a complete fan guard please order additionally 2 x cover 2912909 and 4 x screw 2939684	2912443	1	1	1	1	1	1	1	1	1	1			
604	Cover for fan guard 60 W (1 piece)	2912909	2	2	2	2	2	2	2	2	2	2			
605	Bolt B 3,9 x 16 Z 2 DIN 7976, 60 W (1 piece)	2939684	4	4	4	4	4	4	4	4	4	4			
610	Mounting kit for additional fan 60 W	2830516	1	1	1	1	1		1	1	1				
610	Mounting kit for additional fan 60 W	2830710						1				1			
610	Mounting kit for additional fan EBM	2987616	1	1	1	1	1		1	1	1				
610	Mounting kit for additional fan EBM	2987627						1				1			
620	Oil cooler	2918690		1	1				1						
	Oil cooler connection for housing cover	3072262		1	1				1						
	Oil cooler connection for oil pump	2941363		1	1				1						

Miscellaneous					
Item	Specification	Order Number	Item	Specification	Order Number
Adapter	1/8" - 27 NPTF	2059791	Waterhose	1/2"	2486102
Adapter	1/4" - 18 NPTF	2038650	Waterhose	1"	2487569
Angle adapter	1/4" - 18 NPTF	2038956	Worm drive hose clip for waterhose	1/2"	2486113
T-adapter	1/8" - 27 NPTF	2059780	Worm drive hose clip for waterhose	1"	2487570
T-adapter	1/4" - 18 NPTF	2059779	Oil separator	OS-16	2981265
T-adapter for oil pressure safety switch	1/4" - 18 NPTF	2039993	Oil separator	OS-22 F	3097941
Schrader valve	1/8" - 27 NPTF	2051117	Oil separator	OS-28 F	2946482
Schrader valve	1/4" - 18 NPTF	2830696	Socket wrench for Torx-screw (rod)	1/2" - Drive	2455275
Schrader valve - T	1/8" - 27 NPTF	2048797	Sight glass key DK, DL, DN (except DN..2)		2831213
Connection for Schrader valve		2502400	Key for sight glass retainer for oil balance DK, DL, DN (except DN..2)	DK, DL, DN (except DN..2)	2831462
Loctite (tube 50 cm3)	Loctite 572	2195148	Screw plug	1/8" - 27 NPTF	2043156
Refrigeration-oil (can 1 l)	SHELL 22-12	2190814	Screw plug	1/4" - 18 NPTF	2045685
Refrigeration-oil (can 4 l)	Suniso 3 GS	3103953	Screw plug	3/8" - 18 NPTF	2040997
Refrigeration-oil (can 3 l)	ALKYLAT 150 DT	2834234	Screw plug	1/2" - 14 NPTF	2856027
Refrigeration-oil (can 1 US quart, appr. 0,946 l)	Mobil EAL ARCTIC 22 CC	3808203	Screw plug for liquid receiver and WR/K-receiver	1/2" - 14 NPTF Ms	2976838
Refrigeration-oil (can 1 US gallone, appr. 3,8 l)	Mobil EAL ARCTIC 22 CC	3808190	Liquid receiver, special horizontal design	13 l for DK	2479699
Refrigeration-oil (can 1 l)	ICI EMKARATE RL 32 CF	3808112	Liquid receiver, special horizontal design	23 l for DL, DN, DM, D2	2479702
Refrigeration-oil (can 5 l)	ICI EMKARATE RL 32 CF	3808123	Liquid receiver, special horizontal design	44 l for DL, DN, DM, D2, D3, D9, D4, D6	2479713
Refrigeration-oil (canister 25 l)	ICI EMKARATE RL 32 CF	3808134	Hand-refractometer	998-RMET-00	8024575
Varnish, grey (can 1 kg)	RAL 7031	2641141	Module for S-protection (complete for conversion into MP 23)	Kriwan INT 300 internal 120 V	3806025
Varnish, grey, spray (carton, 6 cans)	RAL 7031	2836898	Module for S-protection (complete for conversion into MP 23)	Kriwan INT 300 internal 230 V	2941852
Capillary tube with gaskets, Cu-ring	2,4 x 0,45 1000 mm length	3808214			
Capillary tube with gaskets, Cu-ring	2,4 x 0,45 1500 mm length	3808225			
Cleaning brushes for WR/K-condensers		2039324			