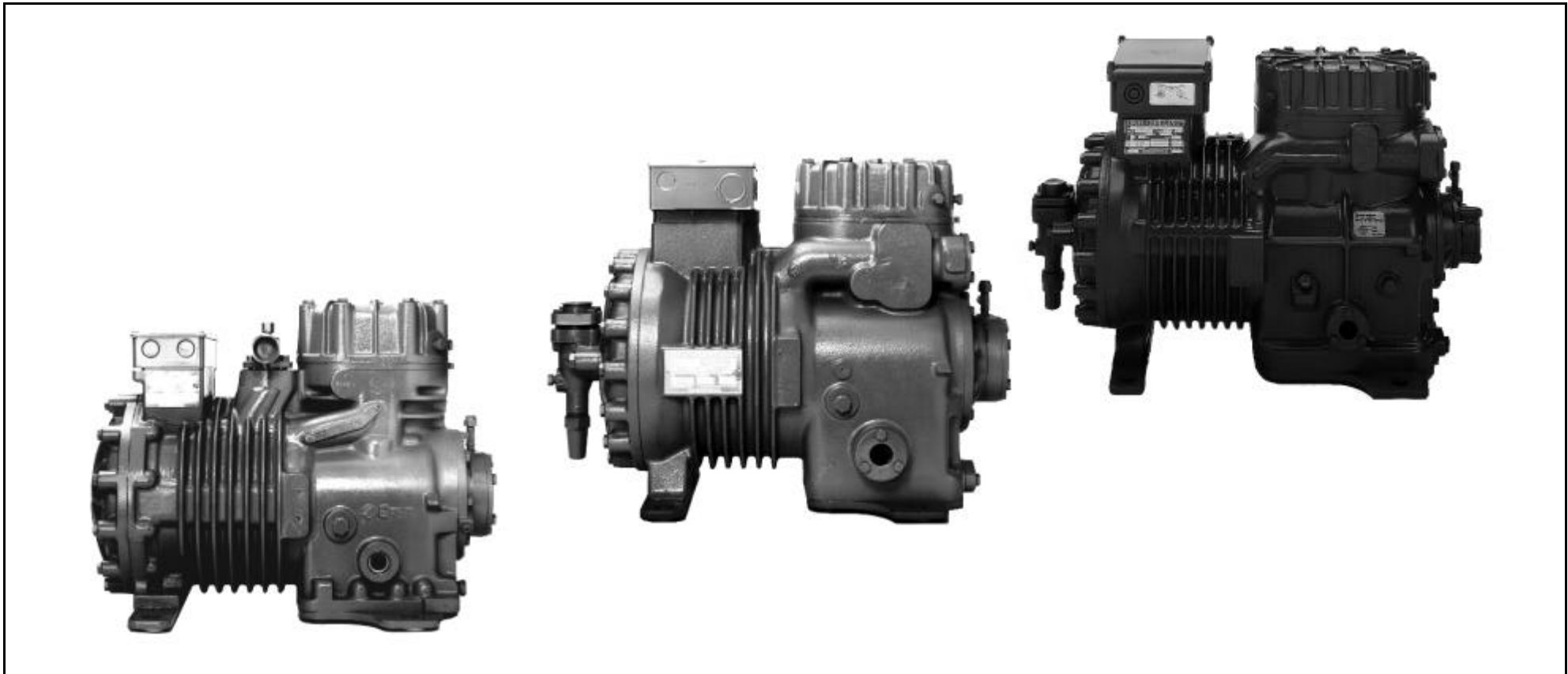

DWM COPELAND

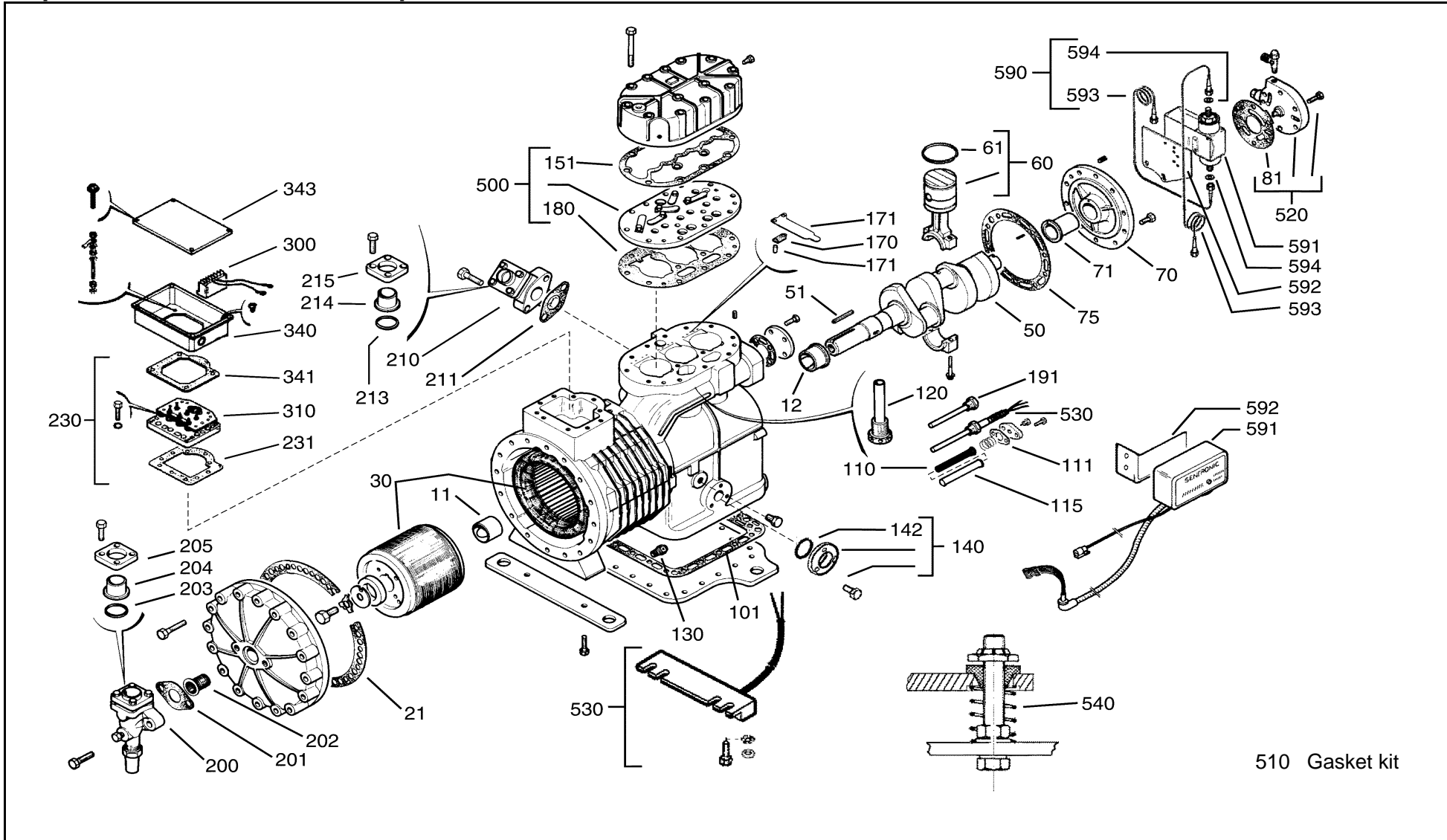
Spare Parts List for
Motor Compressors

DN, DM, D9



Exploded View of a Motor Compressor

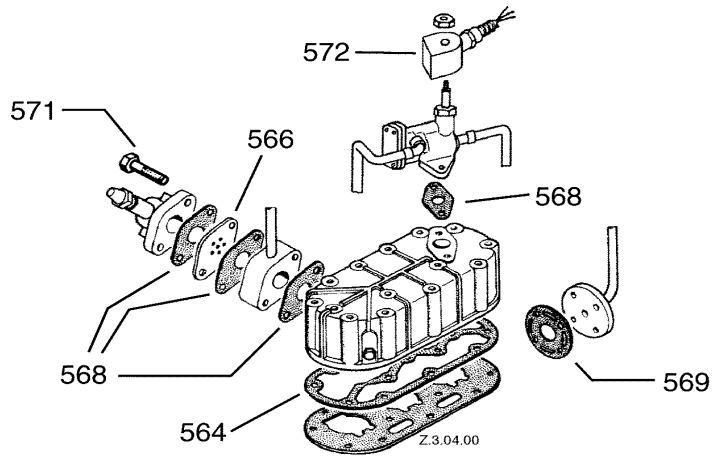
D9



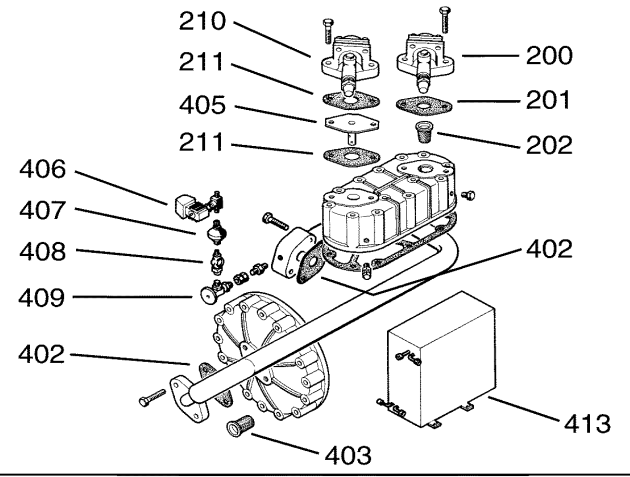
Exploded View of a Accessories

DN, DM, D9

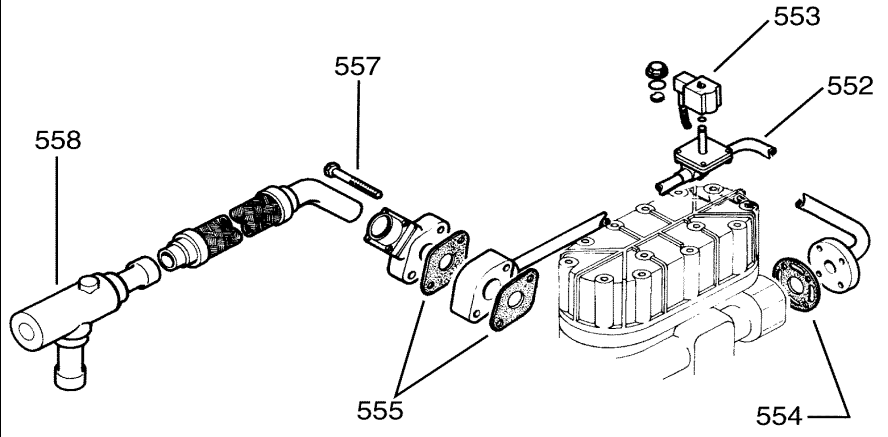
Capacity control D9R..



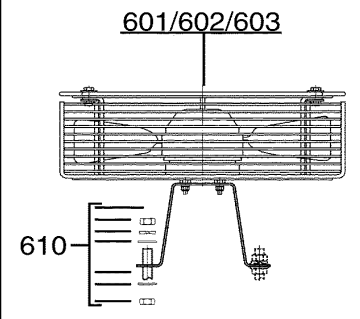
Differing parts for 2-stage compressors



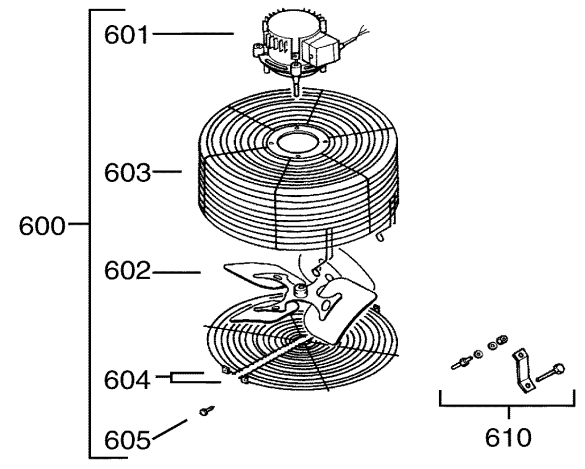
550 Unloaded start



600 Additional fan EBM 75 Z



600 Additional fan 60W



Oil balance tube 2 compressors

DN, DM, D9

Oil balance tube for 2 compressors DN..2, DM, D9

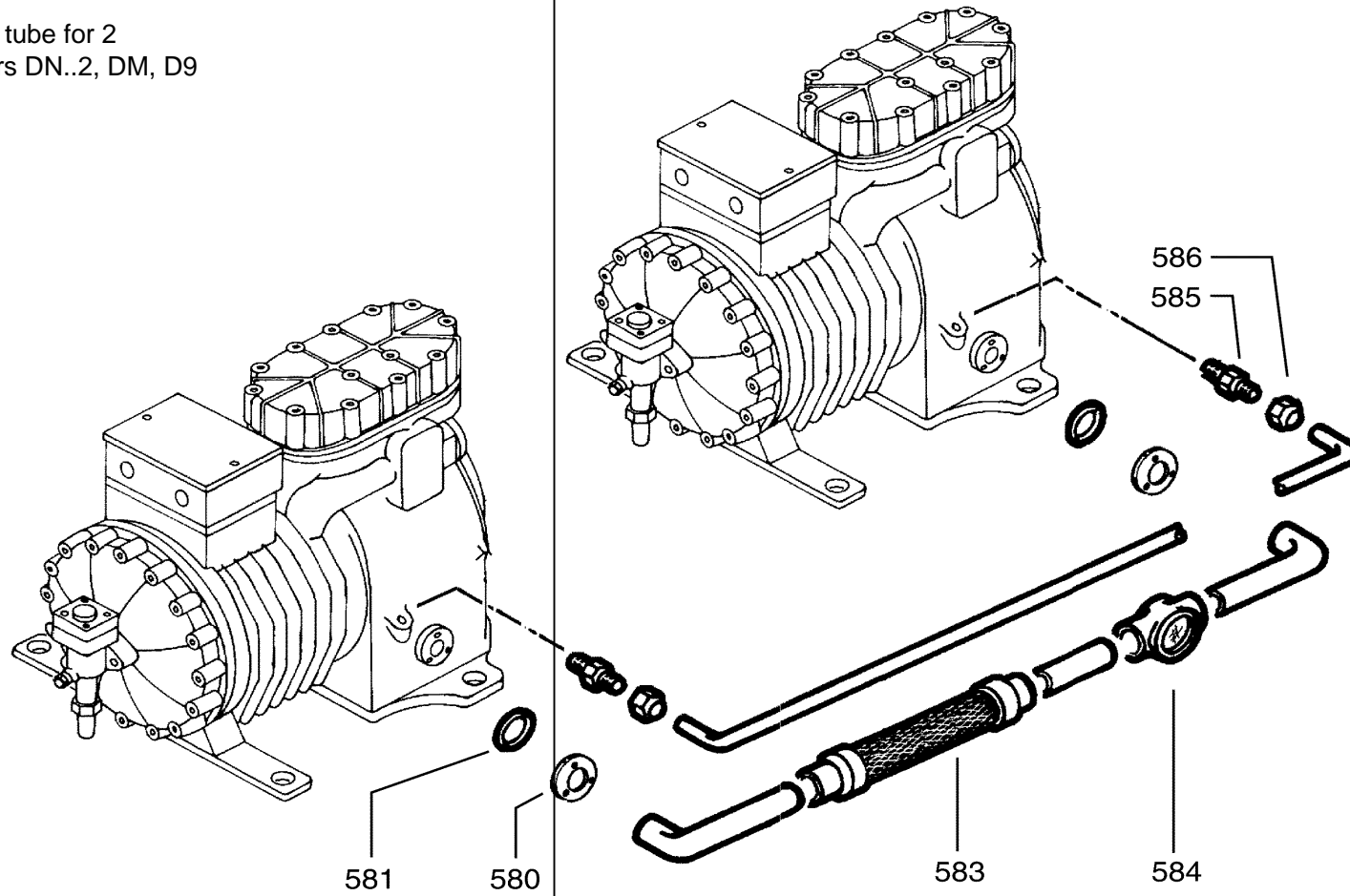


Diagram No.	Description	Part No.	DNRA* - 300	DNRB* - 400	DNRA* - 500	DNHB* - 253	DNHA* - 303	DNHM* - 373	DNHB* - 403	DNHA* - 503	DNHM* - 603	DMRH* - 500	DMRH* - 500L	DMRH* - 750	D9RA* - 500L	D9RC* - 500L	D9RA* - 750	D9RC* - 750	D9RC* - 750L	D9RC* - 1000	D9RS* - 1000	D9RS* - 1000L	D9RS* - 1500	D9TK* - 0760	D9TL* - 0760	D9TH* - 0760	D9TH* - 1010	
11	Body main bearing plain, motor side	2047056	1	1	1	1	1	1	1	1	1																	
11	Body main bearing plain, motor side	2047443										1	1	1														
11	Body main bearing plain, motor side until model version 2 e.g. D9RC2-1000, D9TH2-0760	2048708													1	1	1	1	1	1	1	1	1	1	1	1	1	1
11	Body main bearing plain, motor side from model version 3 e.g. D9RC3-1000, D9TH3-0760	2940860													1	1	1	1	1	1	1	1	1	1	1	1	1	1
12	Body main bearing thrust, gear side	2047283	1	1	1	1	1	1	1	1	1																	
12	Body main bearing thrust, gear side	2047432										1	1	1														
12	Body main bearing thrust, gear side to model version 2 to example D9RC2-1000, D9TH2-0760	2048695													1	1	1	1	1	1	1	1	1	1	1	1	1	1
12	Body main bearing thrust, gear side from model version 3 e.g. D9RC3-1000, D9TH3-0760	2940871													1	1	1	1	1	1	1	1	1	1	1	1	1	1
21	Gasket for stator cover	2525138	1	1	1	1	1	1	1	1	1																	
21	Gasket for stator cover	2950418										1	1	1	1	1	1	1	1	1	1	1	1	1	1	1	1	1
30	Motor unit 3HP EWM/D	2569429	1																									
30	Motor unit 3HP EWL/N	2569418	1																									
30	Motor unit 3HP EWK	2569463	1																									
30	Motor unit 5HP EWM/D	2569010		1	1																							
30	Motor unit 5HP EWL/N	2569009		1	1																							
30	Motor unit 5HP EWK	2569032		1	1																							
30	Motor unit 2,5HP EWL	4563416				1	1		1																			
30	Motor unit 3HP EWM	4563621						1		1																		
30	Motor unit 3HP EWL	4563610						1		1																		
30	Motor unit 3,75HP EWM	4564237									1																	
30	Motor unit 3,75HP EWL	4564215									1																	
30	Motor unit 5HP AWM/D	4565558										1	1		1	1												
30	Motor unit 5HP EWM/D	2569076										1	1		1	1												
30	Motor unit 5HP EWL/N	2569065										1	1		1	1												
30	Motor unit 5HP EWK	2569101										1	1		1	1												
30	Motor unit 7,5HP AWM/D	4566380													1		1	1	1					1	1			
30	Motor unit 7,5HP EWM/D	2569156													1		1	1	1					1	1			
30	Motor unit 7,5HP EWL/N	2569145													1		1	1	1					1	1			
30	Motor unit 7,5HP EWK	2569190													1		1	1	1					1	1			

Diagram No.	Description	Part No.	DNRA* - 300	DNRB* - 400	DNRA* - 500	DNHB* - 253	DNHA* - 303	DNHM* - 373	DNHB* - 403	DNHA* - 503	DNHM* - 603	DMRH* - 500	DMRH* - 500L	DMRH* - 750	D9RA* - 500L	D9RC* - 500L	D9RA* - 750	D9RC* - 750	D9RC* - 750L	D9RC* - 1000	D9RS* - 1000	D9RS* - 1000L	D9RS* - 1500	D9TK* - 0760	D9TL* - 0760	D9TH* - 0760	D9TH* - 1010		
30	Motor unit 10HP AWM/D	4567123																		1	1	1					1	1	
30	Motor unit 10HP EWM/D	2569236																		1	1	1					1	1	
30	Motor unit 10HP EWL/N	2569225																		1	1	1					1	1	
30	Motor unit 10HP EWK	2569270																		1	1	1					1	1	
30	Motor unit 15HP AWM/D	4567474																						1					
30	Motor unit 15HP EWM/D	2569316																						1					
30	Motor unit 15HP EWL/N	2569305																						1					
30	Motor unit 15HP EWK	2569349																						1					
50	Eccentric shaft	2912432	1	1	1	1	1		1	1																			
50	Crankshaft	2916536						1			1																		
50	Crankshaft	2934656										1	1	1															
50	Crankshaft until model variation 3 e.g. D9RC2-750	2934838													1	1	1	1	1										
50	Crankshaft for model version without body code e.g. D9TK-0760, not available anymore	2933493																						1	1				
50	Crankshaft for model version 4 of standard compressors e.g. D9RC4-750 respectively from 1 of 2-stage compressors e.g. D9TK3-0760	2938001													1	1	1	1	1					1	1				
50	Crankshaft until model version 3 e.g. D9RC2-1000, not available anymore	2934849																		1									
50	Crankshaft from model version 4 e.g. D9RC4-1000	2938012																		1									
50	Crankshaft until model version 3 e.g. D9RS2-1000, not available anymore	2859560																				1	1	1					
50	Crankshaft from model version 4 e.g. D9RS4-1000	2938023																			1	1	1						
50	Crankshaft for model version without body code e.g. D9TH-0760, not available anymore	2933506																									1	1	
50	Crankshaft from model variation 1 e.g. D9TH3-0760	2938023																									1	1	
51	Crankshaft key	2048946	1	1	1										1	1	1	1	1	1	1	1	1				1	1	
51	Crankshaft key	2474207				1	1		1	1																			
51	Crankshaft key	2940019						1			1													1	1				
51	Crankshaft key	2914950										1	1	1															
60	Piston con-rod assy, 2 pcs per kit	2836014	1		1																								
60	Piston con-rod assy, 2 pcs per kit	2836025		1																									
60	Piston con-rod assy, 2 pcs per kit	2836036				1			1																				

Diagram No.	Description	Part No.	DNRA* - 300	DNRB* - 400	DNRA* - 500	DNHB* - 253	DNHA* - 303	DNHM* - 373	DNHB* - 403	DNHA* - 503	DNHM* - 603	DMRH* - 500	DMRH* - 500L	DMRH* - 750	D9RA* - 500L	D9RC* - 500L	D9RA* - 750	D9RC* - 750	D9RC* - 750L	D9RC* - 1000	D9RS* - 1000	D9RS* - 1000L	D9RS* - 1500	D9TK* - 0760	D9TL* - 0760	D9TH* - 0760	D9TH* - 1010		
60	Piston con-rod assy, 2 pcs per kit	2836047					1			1																			
60	Piston con-rod assy, 2 pcs per kit, not available anymore	2836058						1			1																		
60	Piston con-rod assy, 2 pcs per kit	2836069										1	1	1															
60	Piston con-rod assy, 3 pcs per kit, for model version 1, 2, 3 e.g. D9RA2-750	2836070													1	1													
60	Piston con-rod assy, 3 pcs per kit, for model version 4 e.g. D9RA4-750	2836183													1	1													
60	Piston con-rod assy, 3 pcs per kit, for model version 1, 2, 3 e.g. D9RC2-1000	2836081														1	1	1	1										
60	Piston con-rod assy, 3 pcs per kit, for model version 4 e.g. D9RC4-1000	2836194														1	1	1	1										
60	Piston con-rod assy, 3 pcs per kit, for model version 1, 2, 3 e.g. D9RS2-1500	2836105																				1	1	1					
60	Piston con-rod assy, 3 pcs per kit, for model version 4 e.g. D9RS4-1500	3805884																				1	1	1					
60	Piston con-rod assy, 3 pcs per kit, for D9TK-0760	2836070																							1				
60	Piston con-rod assy, 3 pcs per kit, for model version 1, 2, 3 e.g. D9TK2-0760	2836183																							1				
60	Piston con-rod assy, 3 pcs per kit, for D9TL-0760	2836081																								1			
60	Piston con-rod assy, 3 pcs per kit, for model version 1, 2, 3 e.g. D9TL2-0760	2836194																								1			
60	Piston con-rod assy, 3 pcs per kit, for D9TH-0760, D9TH-1010	3808236																									1	1	
60	Piston con-rod assy, 3 pcs per kit, for model version 1, 2, 3 e.g. D9TH2-1010	2836207																								1	1		
61	Piston ring	2046246	2		2	2			2																				
61	Piston ring	2045436		2		2			2																				
61	Piston ring	2829669						4			4																		
61	Piston ring	2918872										4	4	4															
61	Piston ring	2918838													3	3									3				
61	Piston ring	2918849														3		3	3	3						3			
61	Piston ring	2918850																			3	3	3						
61	Piston ring	2937995																								3	3		

Diagram No.	Description	Part No.	DNRA* - 300	DNRB* - 400	DNRA* - 500	DNHB* - 253	DNHA* - 303	DNHM* - 373	DNHB* - 403	DNHA* - 503	DNHM* - 603	DMRH* - 500	DMRH* - 500L	DMRH* - 750	D9RA* - 500L	D9RC* - 500L	D9RA* - 750	D9RC* - 750	D9RC* - 750L	D9RC* - 1000	D9RS* - 1000	D9RS* - 1000L	D9RS* - 1500	D9TK* - 0760	D9TL* - 0760	D9TH* - 0760	D9TH* - 1010	
70	Housing cover with bearing	2912943	1	1	1	1	1		1	1																		
70	Housing cover with bearing, not available anymore	2919455						1			1																	
70	Housing cover with bearing	2970614										1	1	1														
70	Housing cover with bearing for model versions 1... 3 on standard-compressors, e.g. D9RC2-1000 respectively w/o version number on 2-stage compressors, e.g. D9TH-0760	2188873													1	1	1	1	1	1	1	1	1	1	1	1	1	1
70	Housing cover with bearing for model version 4 on standard-compressors, e.g. D9RC4-1000 respectively from 1 on 2-stage compressors, e.g. D9TH3-0760	2947327													1	1	1	1	1	1	1	1	1	1	1	1	1	1
71	Bearing for housing cover	2641618	1	1	1	1	1	1		1																		
71	Bearing for housing cover	3054799							1		1																	
71	Bearing for housing cover (for compressors with bronze bearing use complete housing cover 2970614)	2961547										1	1	1														
71	Bearing for housing cover until model version 3 of standard-compressors e.g. D9RC2-1000 respectively without body code of 2-stage compressors e.g. D9TH-0760	2048764													1	1	1	1	1	1	1	1	1	1	1	1	1	1
71	Bearing for housing cover from model version 4 of standard-compressors respectively from 1 of 2-stage compressors e.g. D9TH3-0760	2941603													1	1	1	1	1	1	1	1	1	1	1	1	1	1
75	Gasket for housing cover	2948693	1	1	1	1	1	1	1	1	1																	
75	Gasket for housing cover	2950429										1	1	1														
75	Gasket for housing cover	2959368													1	1	1	1	1	1	1	1	1	1	1	1	1	1
81	Gasket for oil pump	2993488	1	1	1	1	1	1	1	1	1	1	1	1	1	1	1	1	1	1	1	1	1	1	1	1	1	1
	Gasket, O-ring for oil pump CONCENTRIC	2830754	1	1	1	1	1	1	1	1	1	1	1	1	1	1	1	1	1	1	1	1	1	1	1	1	1	1
	Gasket, O-ring for oil pump IOPS, OPS1/SENTRONIC	2947601	1	1	1	1	1	1	1	1	1	1	1	1	1	1	1	1	1	1	1	1	1	1	1	1	1	1
101	Gasket for bottom plate	2729383	1	1	1	1	1	1	1	1	1	1	1	1														
101	Gasket for bottom plate	2993499													1	1	1	1	1	1	1	1	1	1	1	1	1	1
110/111	Oil screen with gasket	2846139	1	1	1	1	1	1	1	1	1																	
110/111	Oil screen with gasket	3806730										1	1	1														
110/111	Oil screen with gasket model version 1 e.g. D9RC1-1000 resp. D9TH1-0760	3806730													1	1	1	1	1	1	1	1	1	1	1	1	1	1
110/111	Oil screen with gasket model version 2, 3, 4 e.g. D9RC2-1000 resp. D9TH3-0760	3806741													1	1	1	1	1	1	1	1	1	1	1	1	1	1

Diagram No.	Description	Part No.	DNRA* - 300	DNRB* - 400	DNRA* - 500	DNHB* - 253	DNHA* - 303	DNHM* - 373	DNHB* - 403	DNHA* - 503	DNHM* - 603	DMRH* - 500	DMRH* - 500L	DMRH* - 750	D9RA* - 500L	D9RC* - 500L	D9RA* - 750	D9RC* - 750	D9RC* - 750L	D9RC* - 1000	D9RS* - 1000	D9RS* - 1000L	D9RS* - 1500	D9TK* - 0760	D9TL* - 0760	D9TH* - 0760	D9TH* - 1010	
111	Gasket for oil screen	2993455										1	1	1	1	1	1	1	1	1	1	1	1	1	1	1	1	1
115	Sleeve for oil screen model version 2, 3, 4 e.g. D9RC2-1000 resp. D9TH3-0760	2525398													1	1	1	1	1	1	1	1	1	1	1	1	1	1
120	Gas check valve	2049552	1	1	1	1	1	1	1	1	1	1	1	1	1	1	1	1	1	1	1	1	1	1	1	1	1	1
130	Oil check valve	2263754	1	1	1	1	1	1	1	1	1	1	1	1														
130	Oil check valve	2852661													1	1	1	1	1	1	1	1	1	1	1	1	1	1
140	Oil sight glass, complete, not for model version 2 e.g. DNRA2-500	2834052	1	1	1	1	1	1	1	1	1																	
140	Oil sight glass, complete, only for model version 2 e.g. DNRA2-500	2482519	1	1	1	1	1	1	1	1	1																	
140	Oil sight glass, complete	2482519										1	1	1	1	1	1	1	1	1	1	1	1	1	1	1	1	1
142	Gasket for oil sight glass, not for model version 2 e.g. DNRA2-500	2043292	1	1	1	1	1	1	1	1	1																	
142	Gasket for oil sight glass	2042028	1	1	1	1	1	1	1	1	1																	
142	Gasket for oil sight glass	2042028										1	1	1	1	1	1	1	1	1	1	1	1	1	1	1	1	1
151	Gasket for valve plate below cylinder head	2915168	1	1	1	1	1	1	1	1	1																	
151	Gasket for valve plate below cylinder head	2950441										1	1	1														
151	Gasket for valve plate below cylinder head	2950509													1	1	1	1	1	1								
151	Gasket for valve plate below cylinder head	2950510																				1	1	1				
151	Gasket for valve plate below cylinder head	2950543																							1	1	1	1
151/180	Gasket for 1 valve plate (kit) below cylinder head, below valve plate	2845396	1		1																							
151/180	Gasket for 1 valve plate (kit) below cylinder head, below valve plate	2845409		1																								
151/180	Gasket for 1 valve plate (kit) below cylinder head, below valve plate	2845410				1			1																			
151/180	Gasket for 1 valve plate (kit) below cylinder head, below valve plate	2845421					1			1																		
151/180	Gasket for 1 valve plate (kit) below cylinder head, below valve plate	2845432						1			1																	
151/180	Gasket for 1 valve plate (kit) below cylinder head, below valve plate	2845443										1	1	1														

Diagram No.	Description	Part No.	DNRA* - 300	DNRB* - 400	DNRA* - 500	DNHB* - 253	DNHA* - 303	DNHM* - 373	DNHB* - 403	DNHA* - 503	DNHM* - 603	DMRH* - 500	DMRH* - 500L	DMRH* - 750	D9RA* - 500L	D9RC* - 500L	D9RA* - 750	D9RC* - 750	D9RC* - 750L	D9RC* - 1000	D9RS* - 1000	D9RS* - 1000L	D9RS* - 1500	D9TK* - 0760	D9TL* - 0760	D9TH* - 0760	D9TH* - 1010	
151/180	Gasket for 1 valve plate (kit) below cylinder head, below valve plate	2845454													1	1												
151/180	Gasket for 1 valve plate (kit) below cylinder head, below valve plate	2845465														1		1	1	1								
151/180	Gasket for 1 valve plate (kit) below cylinder head, below valve plate	2845476																				1	1	1				
151/180	Gasket for 1 valve plate (kit) below cylinder head, below valve plate	2845523																							1			
151/180	Gasket for 1 valve plate (kit) below cylinder head, below valve plate	2845534																								1		
151/180	Gasket for 1 valve plate (kit) below cylinder head, below valve plate	2845545																									1	1
170/171/ 172	Parts for 1 valve plate: suction valve reed, pad, dowel pin	2836730	1	1	1																							
170/171/ 172	Parts for 1 valve plate: suction valve reed, pad, dowel pin	2836741				1	1	1	1	1	1																	
170/171/ 172	Parts for 1 valve plate: suction valve reed, pad, dowel pin	2836774										1	1	1														
170/171/ 172	Parts for 1 valve plate: suction valve reed, pad, dowel pin	2836763													1	1	1	1	1	1					1	1	1	1
170/171/ 172	Parts for 1 valve plate: suction valve reed, pad, dowel pin	2836796																				1	1	1				
180	Gasket for valve plate below valve plate	2949743	1		1																							
180	Gasket for valve plate below valve plate	2949845		1																								
180	Gasket for valve plate below valve plate	2953473				1			1																			
180	Gasket for valve plate below valve plate	2953462					1			1																		
180	Gasket for valve plate below valve plate	2953484						1			1																	
180	Gasket for valve plate below valve plate	2950430										1	1	1														
180	Gasket for valve plate below valve plate	2950474													1		1								1			
180	Gasket for valve plate below valve plate	2950463														1		1	1	1						1		
180	Gasket for valve plate below valve plate	2950496																				1	1	1				
180	Gasket for valve plate below valve plate	2950485																									1	1
191	Sleeve for crankcase heater	2948091													1	1	1	1	1	1	1	1	1	1	1	1	1	1
200/201	Suction shut-off valve with gasket, sweat 1 1/8"	2837051	1	1	1	1	1	1	1	1	1																	
200/201	Suction shut-off valve with gasket, sweat 1 3/8"	2837062										1	1	1	1	1	1	1	1	1	1	1	1		1	1	1	1
200/201	Suction shut-off valve with gasket, sweat 1 5/8"/42 mm	2837084																										
	Suction shut-off valve with gasket, sweat 2 1/8" Tandem-compressors	2837119										1	1	1	1	1	1	1	1	1	1	1	1					

Diagram No.	Description	Part No.	DNRA* - 300	DNRB* - 400	DNRA* - 500	DNHB* - 253	DNHA* - 303	DNHM* - 373	DNHB* - 403	DNHA* - 503	DNHM* - 603	DMRH* - 500	DMRH* - 500L	DMRH* - 750	D9RA* - 500L	D9RC* - 500L	D9RA* - 750	D9RC* - 750	D9RC* - 750L	D9RC* - 1000	D9RS* - 1000	D9RS* - 1000L	D9RS* - 1500	D9TK* - 0760	D9TL* - 0760	D9TH* - 0760	D9TH* - 1010	
201	Gasket for suction shut-off valve	2949765	1	1	1	1	1	1	1	1	1																	
201	Gasket for suction shut-off valve	2963043										1	1	1	1	1	1	1	1	1	1	1	1		1	1	1	1
201	Gasket for suction shut-off valve	2880851																					1					
	Gasket for suction shut-off valve Tandem-compressors	2880862										1	1	1	1	1	1	1	1	1	1	1	1					
201/202	Suction screen with gasket	2846151	1	1	1	1	1	1	1	1	1																	
201/202	Suction screen with gasket	3806774										1	1	1														
201/202	Suction screen with gasket	3806752													1	1	1	1	1	1	1	1						
201/202	Suction screen with gasket	3806763																					1					
201/202	Suction screen with gasket, low pressure	3806752																							1	1	1	1
203	Gasket for pipe socket	2880884										1	1	1	1	1	1	1	1	1	1	1		1	1	1	1	1
203	Gasket for pipe socket Henry	2880895																					1					
203	Gasket for pipe socket Nobis	2881467																					1					
	Gasket for pipe socket, suction shut-off valve Tandem-compressors	3091932										1	1	1	1	1	1	1	1	1	1	1	1					
204	Pipe socket 1 3/8"	2048060										1	1	1	1	1	1	1	1	1	1	1		1	1	1	1	1
204	Pipe socket 1 5/8"/42 mm Henry	2938829																					1					
204	Pipe socket 1 5/8"/42 mm Nobis	2938830																					1					
	Pipe socket 2 1/8" Henry Tandem-compressors	2832830										1	1	1	1	1	1	1	1	1	1	1	1					
	Pipe socket 2 1/8" Nobis Tandem-compressors	2832841										1	1	1	1	1	1	1	1	1	1	1	1					
205	Flange 1 3/8"	2045152										1	1	1	1	1	1	1	1	1	1	1		1	1	1	1	1
205	Flange 1 5/8"/42 mm Henry/Nobis	2050078																					1					
	Flange 2 1/8" Henry Tandem-compressors	2050578										1	1	1	1	1	1	1	1	1	1	1	1					
	Flange 2 1/8" Nobis Tandem-compressors	2946846										1	1	1	1	1	1	1	1	1	1	1	1					
210/211	Discharge shut-off valve with gasket, sweat 5/8"	3806683	1	1	1	1	1	1	1	1	1																	
210/211	Discharge shut-off valve with gasket, flare 5/8"	2837028	1	1	1	1	1	1	1	1	1																	
210/211	Discharge shut-off valve with gasket, sweat 7/8"	2837073										1	1															
210/211	Discharge shut-off valve with gasket, sweat 1 1/8"	2837051												1														
210/211	Discharge shut-off valve with gasket, sweat 7/8"	2837095													1	1									1	1	1	1
210/211	Discharge shut-off valve with gasket, sweat 1 1/8"	2837108														1	1	1	1	1	1	1	1					
211	Gasket for discharge shut-off valve	2529947	1	1	1	1	1	1	1	1	1																	
211	Gasket for discharge shut-off valve	2949765										1	1	1														
211	Gasket for suction shut-off valve	2963043													1	1	1	1	1	1	1	1	1	1	2	2	2	2
213	Gasket for pipe socket	2880884													1	1	1	1	1	1	1	1	1	1	1	1	1	1

Diagram No.	Description	Part No.	DNRA* - 300	DNRB* - 400	DNRA* - 500	DNHB* - 253	DNHA* - 303	DNHM* - 373	DNHB* - 403	DNHA* - 503	DNHM* - 603	DMRH* - 500	DMRH* - 500L	DMRH* - 750	D9RA* - 500L	D9RC* - 500L	D9RA* - 750	D9RC* - 750	D9RC* - 750L	D9RC* - 1000	D9RS* - 1000	D9RS* - 1000L	D9RS* - 1500	D9TK* - 0760	D9TL* - 0760	D9TH* - 0760	D9TH* - 1010	
214	Pipe socket 7/8"	2045141													1	1									1	1	1	1
214	Pipe socket 1 1/8"	2045936															1	1	1	1	1	1	1					
215	Flange	2859720													1	1	1	1	1	1	1	1	1	1	1	1	1	1
	Shipping plate with gasket and screws (kit), suction side	2846071	1	1	1	1	1	1	1	1	1																	
	Shipping plate with gasket and screws (kit), suction side	2846082										1	1	1	1	1	1	1	1	1	1	1	1		1	1	1	1
	Shipping plate with gasket and screws (kit), suction side	2846093																					1					
	Shipping plate with gasket and screws (kit), discharge side	2846071	1	1	1	1	1	1	1	1	1	1	1	1														
	Shipping plate with gasket and screws (kit), discharge side	2846082													1	1	1	1	1	1	1	1	1	1	1	1	1	1
	Discharge temperature protection, conversion kit	2829385													1	1	1	1	1	1								
	Discharge temperature protection, conversion kit	2829409																				1	1	1				
	Discharge temperature protection, conversion kit with capacity control	2829396													1	1	1	1	1	1								
	Discharge temperature protection, conversion kit with capacity control	2829410																				1	1	1				
	Discharge temperature protection, temperature sensor	2912374													1	1	1	1	1	1								
	Discharge temperature protection, temperature sensor	2912363																				1	1	1				
	Discharge temperature protection, module Kriwan INT 69 V external 220 V	2912501													1	1	1	1	1	1	1	1	1	1				
221	Gasket for cover plate	2959880													1	1	1	1	1	1	1	1	1	1	1	1	1	1
230	Terminal plate assy model version 2 e.g. DNRA2-500	2834596	1	1	1	1	1	1	1	1	1																	
230	Terminal plate assy	2834596										1	1	1	1	1	1	1	1	1	1	1	1	1	1	1	1	1
231	Gasket for terminal plate model version 2 on DN... e.g. DNRA2-500	2952823	1	1	1	1	1	1	1	1	1																	
231	Gasket for terminal plate	2952823										1	1	1	1	1	1	1	1	1	1	1	1	1	1	1	1	1
250	Fusite, Terminal assy 6-pole for model version w/o 2 only, e.g. DNRA-500	2727274	1	1	1	1	1	1	1	1	1																	
251	Gasket for fusite, terminal assy	2727887	1	1	1	1	1	1	1	1	1																	
270	Fusite, Terminal assy 2-pole for model version w/o 2 only, e.g. DNRA-500	2489656	1	1	1	1	1	1	1	1	1																	
271	Gasket for fusite, terminal assy	2946084	1	1	1	1	1	1	1	1	1																	
300	Module for VW-protection Kriwan INT 69 internal 24 V, DC	2832465	1	1	1	1	1	1	1	1	1	1	1	1	1	1	1	1	1	1	1	1	1	1	1	1	1	1
300	Module for VW-protection Kriwan INT 69 internal 24 V	2830367	1	1	1	1	1	1	1	1	1	1	1	1	1	1	1	1	1	1	1	1	1	1	1	1	1	1
300	Module for VW-protection Kriwan INT 69 internal 110 V	2830130	1	1	1	1	1	1	1	1	1	1	1	1	1	1	1	1	1	1	1	1	1	1	1	1	1	1

Diagram No.	Description	Part No.	DNRA* - 300	DNRB* - 400	DNRA* - 500	DNHB* - 253	DNHA* - 303	DNHM* - 373	DNHB* - 403	DNHA* - 503	DNHM* - 603	DMRH* - 500	DMRH* - 500L	DMRH* - 750	D9RA* - 500L	D9RC* - 500L	D9RA* - 750	D9RC* - 750	D9RC* - 750L	D9RC* - 1000	D9RS* - 1000	D9RS* - 1000L	D9RS* - 1500	D9TK* - 0760	D9TL* - 0760	D9TH* - 0760	D9TH* - 1010	
300	Module for VW-protection Kriwan INT 69 internal 220 V	2914552	1	1	1	1	1	1	1	1	1	1	1	1	1	1	1	1	1	1	1	1	1	1	1	1	1	1
300	Module for VW-protection Kriwan INT 69 internal 200-260 V	2940962	1	1	1	1	1	1	1	1	1	1	1	1	1	1	1	1	1	1	1	1	1	1	1	1	1	1
300	Module for VW-protection Kriwan INT 69 external 110 V	2495951	1	1	1	1	1	1	1	1	1	1	1	1	1	1	1	1	1	1	1	1	1	1	1	1	1	1
300	Module for VW-protection Kriwan INT 69 external 220 V	2047625	1	1	1	1	1	1	1	1	1	1	1	1	1	1	1	1	1	1	1	1	1	1	1	1	1	1
300	Module for VW-protection Kriwan INT 69 external 380 V	2640897	1	1	1	1	1	1	1	1	1	1	1	1	1	1	1	1	1	1	1	1	1	1	1	1	1	1
310	Terminal board assy for model version w/o 2 only, e.g. DNRA-500	2950327	1	1	1	1	1	1	1	1	1																	
310	Terminal board assy for model version with 2 only, e.g. DNRA2-500	2939866	1	1	1	1	1	1	1	1	1																	
310	Terminal board assy	2939866										1	1	1	1	1	1	1	1	1	1	1	1	1	1	1	1	1
340	Terminal box only model version w/o 2 e.g. DNRA-500	6706975	1	1	1	1	1	1	1	1	1																	
340	Terminal box only model version 2 e.g. DNRA2-500	2961207	1	1	1	1	1	1	1	1	1																	
340	Terminal box	2938250										1	1	1	1	1	1	1	1	1	1	1	1	1	1	1	1	1
341	Gasket for terminal box only model version w/o 2 e.g. DNRA-500	6707718	1	1	1	1	1	1	1	1	1																	
341	Gasket for terminal box only model version 2 e.g. DNRA2-500	2938385	1	1	1	1	1	1	1	1	1																	
341	Gasket for terminal box	2938385										1	1	1	1	1	1	1	1	1	1	1	1	1	1	1	1	1
343	Cover for terminal box, blank w/o wiring diagram only model version w/o 2 e.g. DNRA-500	6706986	1	1	1	1	1	1	1	1	1																	
343	Cover for terminal box Motor EW_, TWY_ only model version 2 e.g. DNRA2-500	2945490	1	1	1	1	1	1	1	1	1																	
343	Cover for terminal box Motor EW_, TW_	2945490										1	1	1	1	1	1	1	1	1	1	1	1	1	1	1	1	1
343	Cover for terminal box Motor AW_	2945503										1	1	1	1	1	1	1	1	1	1	1	1	1	1	1	1	1
402	Gasket for manifold	2963043																							2	2	2	2
403	Suction screen with gasket, interstage pressure	3806774																						1	1	1	1	
405	Muffler plate 6 holes, discharge side	2474138																						1	1	1	1	
406	Solenoid valve 24 V, DC ALCO CONTROLS	2998687																						1	1	1	1	
406	Solenoid valve 24 V, 50/60 Hz ALCO CONTROLS	2998698																						1	1	1	1	
406	Solenoid valve 120 V, 50/60 Hz ALCO CONTROLS	2998701																						1	1	1	1	
406	Solenoid valve 230 V, 50/60 Hz ALCO CONTROLS	2998712																						1	1	1	1	
407	Screen for liquid injection	2051015																						1	1	1	1	

Diagram No.	Description	Part No.	DNRA* - 300	DNRB* - 400	DNRA* - 500	DNHB* - 253	DNHA* - 303	DNHM* - 373	DNHB* - 403	DNHA* - 503	DNHM* - 603	DMRH* - 500	DMRH* - 500L	DMRH* - 750	D9RA* - 500L	D9RC* - 500L	D9RA* - 750	D9RC* - 750	D9RC* - 750L	D9RC* - 1000	D9RS* - 1000	D9RS* - 1000L	D9RS* - 1500	D9TK* - 0760	D9TL* - 0760	D9TH* - 0760	D9TH* - 1010	
408	Sight glass for liquid injection	2991039																						1	1	1	1	
409	Expansion valve Sporlan NIV-2-Z, 32 psig	2502433																						1	1			
409	Expansion valve Sporlan NIV-3-Z, 37 psig	2051004																								1		
409	Expansion valve Sporlan NIV-3-Z, 32 psig	2502455																									1	
409	Expansion valve ALCO CONTROLS TCLE-GT 2744 only for integrated subcooler and operation with R 22	2979371																							1	1	1	1
413	Subcooler	2932627																						1	1	1	1	
413	Subcooler B5/8, integrated (R 22 operation)	2979360																						1	1	1	1	
500	Valve plate assy	2490843	1	1	1																							
500	Valve plate assy	2830630				1	1		1	1																		
500	Valve plate assy	2830867						1			1																	
500	Valve plate assy	2495439										1		1														
500	Valve plate assy	2481572											1															
500	Valve plate assy	2188691													1	1			1									
500	Valve plate assy	2048957															1	1			1							
500	Valve plate assy	2049369																				1		1				
500	Valve plate assy	2511420																					1					
500	Valve plate assy	2050976																							1	1	1	1
510	Gasket kit	2511248	1	1	1																				1	1	1	1
510	Gasket kit	2830674				1	1	1	1	1	1																	
510	Gasket kit	2495417										1	1	1														
510	Gasket kit	2048866													1	1									1	1	1	1
510	Gasket kit	2495428														1		1	1	1	1	1	1	1				
520	Oil pump assy	2832761	1	1	1	1	1	1	1	1	1	1	1	1	1	1	1	1	1	1	1	1	1	1	1	1	1	1
530	Crankcase heater, external 65 W, 120 V	4577431	1	1	1	1	1	1	1	1	1	1	1	1	1	1	1	1	1	1	1	1	1	1	1	1	1	1
530	Crankcase heater, external 65 W, 220 V	4577420	1	1	1	1	1	1	1	1	1	1	1	1	1	1	1	1	1	1	1	1	1	1	1	1	1	1
530	Crankcase heater, external 65 W, 480 V	4577442	1	1	1	1	1	1	1	1	1	1	1	1	1	1	1	1	1	1	1	1	1	1	1	1	1	1
530	Crankcase heater, internal 70 W, 115 V	6717946													1	1	1	1	1	1	1	1	1	1	1	1	1	1
530	Crankcase heater, internal 70 W, 230 V	2834198													1	1	1	1	1	1	1	1	1	1	1	1	1	1
530	Crankcase heater, internal 70 W, 480 V	3806310													1	1	1	1	1	1	1	1	1	1	1	1	1	1
	Clips for heater external, obsolete (1 piece)	2039926	2	2	2	2	2	2	2	2	2	2	2	2	2	2	2	2	2	2	2	2	2	2	2	2	2	2
	Silicone paste for mounting the heater in sleeve	2942537													1	1	1	1	1	1	1	1	1	1	1	1	1	1
540	Mounting parts (kit)	2047205	1	1	1	1	1	1	1	1	1																	

Diagram No.	Description	Part No.	DNRA* - 300	DNRB* - 400	DNRA* - 500	DNHB* - 253	DNHA* - 303	DNHM* - 373	DNHB* - 403	DNHA* - 503	DNHM* - 603	DMRH* - 500	DMRH* - 500L	DMRH* - 750	D9RA* - 500L	D9RC* - 500L	D9RA* - 750	D9RC* - 750	D9RC* - 750L	D9RC* - 1000	D9RS* - 1000	D9RS* - 1000L	D9RS* - 1500	D9TK* - 0760	D9TL* - 0760	D9TH* - 0760	D9TH* - 1010	
540	Mounting parts (kit)	2188475										1	1	1														
540	Mounting parts (kit)	2188748													1	1	1	1	1					1	1			
540	Mounting parts (kit)	2188884																			1	1	1				1	1
540	Mounting parts (kit)	2049643																					1					
	Rubber mounting parts (kit)	2933266	1	1	1	1	1	1	1	1	1	1	1	1	1	1	1	1	1	1	1	1	1	1	1	1	1	1
550	Unloaded start w/o check valve with solenoid coil 24 V, DC Danfoss	2990252										1	1	1														
550	Unloaded start w/o check valve with solenoid coil 24 V, 50 Hz Danfoss	2990150										1	1	1														
550	Unloaded start w/o check valve with solenoid coil 110 V, 50/60 Hz Danfoss	2990058										1	1	1														
550	Unloaded start w/o check valve with solenoid coil 220 V, 50/60 Hz Danfoss	2831586										1	1	1														
550	Unloaded start w/o check valve with solenoid coil 24 V, DC Danfoss	2990230													1	1	1	1	1	1	1	1	1	1	1	1	1	1
550	Unloaded start w/o check valve with solenoid coil 24 V, 50 Hz Danfoss	2990138													1	1	1	1	1	1	1	1	1	1	1	1	1	1
550	Unloaded start w/o check valve with solenoid coil 110 V, 50/60 Hz Danfoss	2990036													1	1	1	1	1	1	1	1	1	1	1	1	1	1
550	Unloaded start w/o check valve with solenoid coil 220 V, 50/60 Hz Danfoss	2831575													1	1	1	1	1	1	1	1	1	1	1	1	1	1
550/560	Unloaded start with capacity control complete 220 V, 50/60 Hz ALCO CONTROLS/Danfoss	2993819													1													
550/560	Unloaded start with capacity control complete 220 V, 50/60 Hz ALCO CONTROLS/Danfoss	2993820														1	1	1	1	1	1							
550/560	Unloaded start with capacity control complete 220 V, 50/60 Hz ALCO CONTROLS/Danfoss	2993831																			1	1	1					
552	Unloaded start (piping assy) w/o solenoid coil, w/o gaskets Danfoss	2943950										1	1	1														
552	Unloaded start (piping assy) w/o solenoid coil, w/o gaskets Danfoss	2523869													1	1	1	1	1	1	1	1	1	1	1	1	1	1
553	Solenoid coil for unloaded start 24 V, DC Danfoss	2943949										1	1	1														
553	Solenoid coil for unloaded start 24 V, DC Danfoss	2940268													1	1	1	1	1	1	1	1	1	1	1	1	1	1

Diagram No.	Description	Part No.	DNRA* - 300	DNRB* - 400	DNRA* - 500	DNHB* - 253	DNHA* - 303	DNHM* - 373	DNHB* - 403	DNHA* - 503	DNHM* - 603	DMRH* - 500	DMRH* - 500L	DMRH* - 750	D9RA* - 500L	D9RC* - 500L	D9RA* - 750	D9RC* - 750	D9RC* - 750L	D9RC* - 1000	D9RS* - 1000	D9RS* - 1000L	D9RS* - 1500	D9TK* - 0760	D9TL* - 0760	D9TH* - 0760	D9TH* - 1010
553	Solenoid coil for unloaded start 24 V, 50 Hz Danfoss	2940257										1	1	1	1	1	1	1	1	1	1	1	1				
553	Solenoid coil for unloaded start 110 V, 50/60 Hz Danfoss	2940246										1	1	1	1	1	1	1	1	1	1	1	1				
553	Solenoid coil for unloaded start 220 V, 50/60 Hz Danfoss	2940235										1	1	1	1	1	1	1	1	1	1	1	1				
554	Gasket for flange, suction side	2949812										1	1	1													
554	Gasket for flange, suction side	2959880													1	1	1	1	1	1	1	1	1				
555	Gasket for flange, discharge side (1 piece)	2963043													2	2	2	2	2	2	2	2	2				
556	Socket screw 5/16"-18 UNC x 2" 12.9 (1 piece)	2486500										2	2	2													
556	Bolt 1/2"-13 UNC x 3" 8.8 (1 piece)	3058086													2	2	2	2	2	2	2	2	2				
557	Check valve 22 mm NRV 22 S	2946891										1	1		1	1											
557	Check valve with strong spring for Tandem-compressors and parallel systems 22 mm NRVH 22 S	2952243										1	1		1	1											
557	Check valve 28 mm NRV 22 S	2995906												1			1	1	1	1	1	1	1				
557	Check valve with strong spring for Tandem-compressors and parallel systems 28 mm NRVH 22 S	2995600												1			1	1	1	1	1	1	1				
560	Capacity control (conversion kit) external 35 % reduction 220 V, 50/60 Hz ALCO CONTROLS	2831962													1	1	1	1	1	1							
560	Capacity control (conversion kit) external 35 % reduction 220 V, 50/60 Hz ALCO CONTROLS	2831973																			1	1	1				
561	Capacity control w/o cylinder head, with coil 220 V, 50/60 Hz and gaskets (repair kit)	2832023													1	1	1	1	1	1	1	1	1				
562	Tube with control valve, w/o coil, w/o gaskets	2940702													1	1	1	1	1	1	1	1	1				
562a	Tube for solenoid with control stem, complete	2640875													1	1	1	1	1	1	1	1	1				
	Gasket for flange control valve	2830378													1	1	1	1	1	1	1	1	1				
564	Gasket below cylinder head, capacity control	2950521													1	1	1	1	1	1							
564	Gasket below cylinder head, capacity control	2950532																				1	1	1			
566	Muffler plate 6 holes, discharge side	2474138													1	1	1	1	1	1	1	1	1				
568	Gasket for discharge side and control valve (1 piece)	2963043													4	4	4	4	4	4	4	4	4				
569	Gasket for flange, suction side	2959880													1	1	1	1	1	1	1	1	1				
570	Bolt 1/2"-13 UNC x 1 3/8" 8.8 (1 piece)	2486033													2	2	2	2	2	2	2	2	2				
571	Bolt 1/2"-13 UNC x 3" 8.8 (1 piece)	3058086													2	2	2	2	2	2	2	2	2				
572	Solenoid coil for capacity control 24 V, DC ALCO CONTROLS	2948911													1	1	1	1	1	1	1	1	1				

Diagram No.	Description	Part No.	DNRA* - 300	DNRB* - 400	DNRA* - 500	DNHB* - 253	DNHA* - 303	DNHM* - 373	DNHB* - 403	DNHA* - 503	DNHM* - 603	DMRH* - 500	DMRH* - 500L	DMRH* - 750	D9RA* - 500L	D9RC* - 500L	D9RA* - 750	D9RC* - 750	D9RC* - 750L	D9RC* - 1000	D9RS* - 1000	D9RS* - 1000L	D9RS* - 1500	D9TK* - 0760	D9TL* - 0760	D9TH* - 0760	D9TH* - 1010	
572	Solenoid coil for capacity control 24 V, 50/60 Hz ALCO CONTROLS	2941954													1	1	1	1	1	1	1	1	1					
572	Solenoid coil for capacity control 120 V, 50/60 Hz ALCO CONTROLS	2941943													1	1	1	1	1	1	1	1	1					
572	Solenoid coil for capacity control 220 V, 50/60 Hz ALCO CONTROLS	2940939													1	1	1	1	1	1	1	1	1					
580	Pipe socket not for model version 2 e.g. DNRA-500 (1 piece)	2304560	2	2	2	2	2	2	2	2	2																	
580	Flange sweat for model version 2 only, e.g. DNRA2-500 (1 piece)	2496330	2	2	2	2	2	2	2	2	2																	
580	Flange sweat (1 piece)	2496330										2	2	2	2	2	2	2	2	2	2	2	2	2	2	2	2	2
581	Gasket for pipe socket not for model version 2 e.g. DNRA2-500 (1 piece)	2043292	2	2	2	2	2	2	2	2	2																	
581	Gasket for flange sweat for model version 2 only, e.g. DNRA2-500 (1 piece)	2042028	2	2	2	2	2	2	2	2	2																	
581	Gasket for flange sweat (1 piece)	2042028										2	2	2	2	2	2	2	2	2	2	2	2	2	2	2	2	2
582	Gasket for pipe socket not for model version 2 e.g. DNRA2-500 (1 piece)	2912330	2	2	2	2	2	2	2	2	2																	
583	Vibration absorber not for model version 2 e.g. DNRA2-500	2040077	1	1	1	1	1	1	1	1	1																	
583	Vibration absorber for model version 2 only, e.g. DNRA2-500	2040099	1	1	1	1	1	1	1	1	1																	
583	Vibration absorber	2040099										1	1	1	1	1	1	1	1	1	1	1	1	1	1	1	1	1
584	Oil sight glass SL 18 not for model version 2, e.g. DNRA2-500	2341258	1	1	1	1	1	1	1	1	1																	
584	Oil sight glass SLG 28 for model version 2 only, e.g. DNRA2-500	2495882	1	1	1	1	1	1	1	1	1																	
584	Oil sight glass SLG 28	2495882										1	1	1	1	1	1	1	1	1	1	1	1	1	1	1	1	1
585	Insert socket 1/4"-18 NPTF (1 piece)	2063909	2	2	2	2	2	2	2	2	2	2	2	2	2	2	2	2	2	2	2	2	2	2	2	2	2	2
586	Cap nut (1 piece)	2038456	2	2	2	2	2	2	2	2	2	2	2	2	2	2	2	2	2	2	2	2	2	2	2	2	2	2
587	Nut for oil sight glass, not for model version 2, e.g. DNRA2-500 (1 piece)	2240720	2	2	2	2	2	2	2	2	2																	

Diagram No.	Description		Part No.	DNRA* - 300	DNRB* - 400	DNRA* - 500	DNHB* - 253	DNHA* - 303	DNHM* - 373	DNHB* - 403	DNHA* - 503	DNHM* - 603	DMRH* - 500	DMRH* - 500L	DMRH* - 750	D9RA* - 500L	D9RC* - 500L	D9RA* - 750	D9RC* - 750	D9RC* - 750L	D9RC* - 1000	D9RS* - 1000	D9RS* - 1000L	D9RS* - 1500	D9TK* - 0760	D9TL* - 0760	D9TH* - 0760	D9TH* - 1010	
	Oil and gas equalization line for 1 compressor, not for model version 2 e.g. DNRA2-500 (pipe socket, gaskets, retainer, insert socket, cap nut)		3106963	1	1	1	1	1	1	1	1	1																	
	Oil and gas equalization line for 1 compressor, for model version 2 e.g. DNRA2-500 (flange sweat, gasket, insert socket, cap nut)		3106952	1	1	1	1	1	1	1	1	1																	
	Oil and gas equalization line for 1 compressor (flange sweat, gasket, insert socket, cap nut)		3106952										1	1	1	1	1	1	1	1	1	1	1	1	1	1	1	1	1
	Oil regulation system, complete, ALCO OMA TraxOil, not for model version 2 e.g. DNRA2-500	OMA-CCB	8526708	1	1	1	1	1	1	1	1	1																	
	Oil regulation system, complete, ALCO OMA TraxOil, for model version 2 e.g. DNRA2-500	OMA-CUA	8526719	1	1	1	1	1	1	1	1	1																	
	Oil regulating systems, complete, ALCO OMA TraxOil	OMA-CUA	8526719										1	1	1	1	1	1	1	1	1	1	1	1	1	1	1	1	1
	Transformer for oil regulating system ALCO OMA TraxOil	ETC-523	8527518	1	1	1	1	1	1	1	1	1	1	1	1	1	1	1	1	1	1	1	1	1	1	1	1	1	1
	Oil pressure safety switch complete (sensor, electronic switch and PG-screw connections) 115 V, 50/60 Hz OPS1	115 V, 50/60 Hz	3115825	1	1	1	1	1	1	1	1	1	1	1	1	1	1	1	1	1	1	1	1	1	1	1	1	1	1
	Oil pressure safety switch complete (sensor, electronic switch and PG-screw connections) 230 V, 50/60 Hz OPS1	230 V, 50/60 Hz	3112257	1	1	1	1	1	1	1	1	1	1	1	1	1	1	1	1	1	1	1	1	1	1	1	1	1	1
590	Oil pressure safety switch with bracket and 2 capillary tubes ALCO CONTROLS		2834007	1	1	1	1	1	1	1	1	1	1	1	1	1	1	1	1	1	1	1	1	1					
590	Oil pressure safety switch with bracket and 2 capillary tubes for models with capacity control or unloaded start ALCO CONTROLS		2834041										1	1	1	1	1	1	1	1	1	1	1	1					
590	Oil pressure safety switch with bracket and 2 capillary tubes ALCO CONTROLS		2991619																						1	1	1	1	
590	Oil pressure safety switch with bracket and sensor SENTRONIC+ NEW		2952221	1	1	1	1	1	1	1	1	1	1	1	1	1	1	1	1	1	1	1	1	1	1	1	1	1	1
	Electronic switch 115 V, 50/60 Hz OPS1 (CAUTION! For initial installation order 3115814, including PG-screw	115 V, 50/60 Hz	3115803	1	1	1	1	1	1	1	1	1	1	1	1	1	1	1	1	1	1	1	1	1	1	1	1	1	1
	Electronic switch 230 V, 50/60 Hz OPS1 (CAUTION! For initial installation order 3112462, including PG-screw	230 V, 50/60 Hz	3110795	1	1	1	1	1	1	1	1	1	1	1	1	1	1	1	1	1	1	1	1	1	1	1	1	1	1
591	Oil pressure safety switch, w/o bracket, w/o capillary tubes ALCO CONTROLS		2966622	1	1	1	1	1	1	1	1	1	1	1	1	1	1	1	1	1	1	1	1	1	1	1	1	1	1

Diagram No.	Description	Part No.	DNRA* - 300	DNRB* - 400	DNRA* - 500	DNHB* - 253	DNHA* - 303	DNHM* - 373	DNHB* - 403	DNHA* - 503	DNHM* - 603	DMRH* - 500	DMRH* - 500L	DMRH* - 750	D9RA* - 500L	D9RC* - 500L	D9RA* - 750	D9RC* - 750	D9RC* - 750L	D9RC* - 1000	D9RS* - 1000	D9RS* - 1000L	D9RS* - 1500	D9TK* - 0760	D9TL* - 0760	D9TH* - 0760	D9TH* - 1010	
591	Oil pressure safety switch, w/o bracket, w/o sensor, SENTRONIC (Caution! Obsolete and new SENTRONIC parts, e.g. obsolete module with new sensor, must not be used commonly), not available anymore	2951853	1	1	1	1	1	1	1	1	1	1	1	1	1	1	1	1	1	1	1	1	1	1	1	1	1	
591	Oil pressure safety switch, w/o bracket, w/o sensor, SENTRONIC+ NEW (Caution! Obsolete and new SENTRONIC parts, e.g. obsolete module with new sensor, must not be used commonly)	3107013	1	1	1	1	1	1	1	1	1	1	1	1	1	1	1	1	1	1	1	1	1	1	1	1	1	
591/593	Oil pressure safety switch with flare connection, 2 capillary tubes, w/o bracket ALCO CONTROLS	2942300	1	1	1	1	1	1	1	1	1	1	1	1	1	1	1	1	1	1	1	1	1	1	1	1	1	
592	Bracket for oil pressure safety switch ALCO CONTROLS/Ranco	2326626	1	1	1	1	1	1	1	1	1	1	1	1	1	1	1	1	1	1	1	1	1					
592	Bracket for oil pressure safety switch for models with capacity control or unloaded start ALCO CONTROLS/Ranco	2940008										1	1	1	1	1	1	1	1	1	1	1	1					
592	Bracket for oil pressure safety switch ALCO CONTROLS/Ranco	2975879																							1	1	1	1
592	Bracket for oil pressure safety switch SENTRONIC	2951864	1	1	1	1	1	1	1	1	1	1	1	1	1	1	1	1	1	1	1	1	1	1	1	1	1	1
593	Capillary tube for oil pressure safety switch with gaskets, Cu-ring ALCO CONTROLS/Ranco (1 piece)	3808214	2	2	2	2	2	2	2	2	2	2	2	2	2	2	2	2	2	2	2	2	2	2	2	2	2	2
594	Gasket, Cu-ring ALCO CONTROLS/Ranco (1 piece)	2974343	4	4	4	4	4	4	4	4	4	4	4	4	4	4	4	4	4	4	4	4	4	4	4	4	4	4
	Sensor with gaskets OPS1	3110784	1	1	1	1	1	1	1	1	1	1	1	1	1	1	1	1	1	1	1	1	1	1	1	1	1	1
	Sensor with gaskets SENTRONIC (Caution! Obsolete and new SENTRONIC parts, e.g. obsolete module with new sensor, must not be used commonly), not available anymore	3807460	1	1	1	1	1	1	1	1	1	1	1	1	1	1	1	1	1	1	1	1	1	1	1	1	1	1
	Sensor with gaskets SENTRONIC+ NEW (Caution! Obsolete and new SENTRONIC parts, e.g. obsolete module with new sensor, must not be used commonly)	3107046	1	1	1	1	1	1	1	1	1	1	1	1	1	1	1	1	1	1	1	1	1	1	1	1	1	1
	Gasket, O-ring for sensor OPS1/SENTRONIC	2944124	1	1	1	1	1	1	1	1	1	1	1	1	1	1	1	1	1	1	1	1	1	1	1	1	1	1
	Gasket, circular for sensor OPS1	3112586	1	1	1	1	1	1	1	1	1	1	1	1	1	1	1	1	1	1	1	1	1	1	1	1	1	1
	Gasket, circular for sensor SENTRONIC	2951831	1	1	1	1	1	1	1	1	1	1	1	1	1	1	1	1	1	1	1	1	1	1	1	1	1	1
	PG-screw connection (kit) OPS1	3112348	1	1	1	1	1	1	1	1	1	1	1	1	1	1	1	1	1	1	1	1	1	1	1	1	1	1

Diagram No.	Description	Part No.	DNRA* - 300	DNRB* - 400	DNRA* - 500	DNHB* - 253	DNHA* - 303	DNHM* - 373	DNHB* - 403	DNHA* - 503	DNHM* - 603	DMRH* - 500	DMRH* - 500L	DMRH* - 750	D9RA* - 500L	D9RC* - 500L	D9RA* - 750	D9RC* - 750	D9RC* - 750L	D9RC* - 1000	D9RS* - 1000	D9RS* - 1000L	D9RS* - 1500	D9TK* - 0760	D9TL* - 0760	D9TH* - 0760	D9TH* - 1010	
	Protection cap for reset botton OPS1	3112268	1	1	1	1	1	1	1	1	1	1	1	1	1	1	1	1	1	1	1	1	1	1	1	1	1	1
	Extension cable 3 m SENTRONIC (Caution! Obsolete and new SENTRONIC parts, e.g. obsolete module with new sensor, must not be used commonly)	3808087	1	1	1	1	1	1	1	1	1	1	1	1	1	1	1	1	1	1	1	1	1	1	1	1	1	1
	Extension cable 3,6 m SENTRONIC+ NEW (Caution! Obsolete and new SENTRONIC parts, e.g. obsolete module with new sensor, must not be used commonly)	3107035	1	1	1	1	1	1	1	1	1	1	1	1	1	1	1	1	1	1	1	1	1	1	1	1	1	1
600	Additional fan assy, vertical 220-1-50/60 EBM	3098842	1	1	1							1	1	1														
600	Additional fan assy, vertical 220-1-50/60 EBM	2987467				1	1	1	1	1	1																	
600	Additional fan assy, vertical 220-1-50/60 EBM	2987434													1	1	1	1	1	1	1	1	1					
600	Additional fan assy, vertical for models with capacity control 220-1-50 /60 EBM	2987401													1	1	1	1	1	1	1	1	1					
600	Additional fan assy, vertical 220/380-3-50/60 EBM	3098831	1	1	1							1	1	1														
600	Additional fan assy, vertical 220/380-3-50/60 EBM	2987456				1	1	1	1	1	1																	
600	Additional fan assy, vertical 220/380-3-50/60 EBM	2987423													1	1	1	1	1	1	1	1	1					
600	Additional fan assy, vertical for models with capacity control 220/380-3-50/60 EBM	2987398													1	1	1	1	1	1	1	1	1					
600	Additional fan assy, vertical 500-3-50 EBM	3098853	1	1	1							1	1	1														
600	Additional fan assy, vertical 500-3-50 EBM	2987478				1	1	1	1	1	1																	
600	Additional fan assy, vertical 500-3-50 EBM	2987445													1	1	1	1	1	1	1	1	1					
600	Additional fan assy, vertical for models with capacity control 500-3-50 EBM	2987412													1	1	1	1	1	1	1	1	1					
601	220-1-50, please order additionally run capacitor 6 µF (2728686)	2487456	1	1	1	1	1	1	1	1	1	1	1	1	1	1	1	1	1	1	1	1	1					
601/602/ 603	Additional fan assy, vertical 220-1-50/60 EBM w/o mounting kit	2998245	1	1	1	1	1	1	1	1	1	1	1	1	1	1	1	1	1	1	1	1	1					
601/602/ 603	Additional fan assy, vertical 220/380-3-50/60 EBM w/o mounting kit	2998256	1	1	1	1	1	1	1	1	1	1	1	1	1	1	1	1	1	1	1	1	1					
601/602/ 603	Additional fan assy, vertical 500-3-50 EBM w/o mounting kit	2998267	1	1	1	1	1	1	1	1	1	1	1	1	1	1	1	1	1	1	1	1	1					
	Run capacitor 6 µF for additional fan 50/55/60 W, 220-1-50	2728686	1	1	1	1	1	1	1	1	1	1	1	1	1	1	1	1	1	1	1	1	1					
	Run capacitor 5 µF for additional fan 220-1-50/60 EBM	3097996	1	1	1	1	1	1	1	1	1	1	1	1	1	1	1	1	1	1	1	1	1					

Diagram No.	Description	Part No.	DNRA* - 300	DNRB* - 400	DNRA* - 500	DNHB* - 253	DNHA* - 303	DNHM* - 373	DNHB* - 403	DNHA* - 503	DNHM* - 603	DMRH* - 500	DMRH* - 500L	DMRH* - 750	D9RA* - 500L	D9RC* - 500L	D9RA* - 750	D9RC* - 750	D9RC* - 750L	D9RC* - 1000	D9RS* - 1000	D9RS* - 1000L	D9RS* - 1500	D9TK* - 0760	D9TL* - 0760	D9TH* - 0760	D9TH* - 1010
602	Fan blade for additional fan (4 blades) 60 W, ø 305 mm 33°	2728131	1	1	1	1	1	1	1	1	1	1	1	1	1	1	1	1	1	1	1	1	1				
602	Fan blade for additional fan for models with capacity control (4 blades) 60 W, ø 305 mm 33°	2943790													1	1	1	1	1	1	1	1	1				
603	Fan guard for additional fan 60 W - for a complete guard please order additionally 2 x cover 2912909 and 4 x screw 2939684, fan guard not available anymore	2485836	1	1	1	1	1	1	1	1	1	1	1	1	1	1	1	1	1	1	1	1	1				
603	Fan guard for additional fan 60 W for models with capacity control for a complete guard please order additionally 2 x cover 2912909 and 4 x screw 2939684	2943803													1	1	1	1	1	1	1	1	1				
604	Cover for guard 60 W (1 piece)	2912909	2	2	2	2	2	2	2	2	2	2	2	2	2	2	2	2	2	2	2	2	2				
605	Bolt B 3,9 x 16 Z 2 DIN 7976 (1 piece)	2939684	4	4	4	4	4	4	4	4	4	4	4	4	4	4	4	4	4	4	4	4	4				
610	Mounting kit for additional fan 60 W (also DNH with high cylinder head)	2830414	1	1	1	1	1	1	1	1	1																
610	Mounting kit for additional fan 60 W	2830390				1	1	1	1	1	1																
610	Mounting kit for additional fan 60 W	2831111										1	1	1													
610	Mounting kit for additional fan 60 W	2830403													1	1	1	1	1	1	1	1	1				
610	Mounting kit for additional fan EBM (also DNH with high cylinder head)	2988119	1	1	1	1	1	1	1	1	1	1	1	1													
610	Mounting kit for additional fan EBM	2987536				1	1	1	1	1	1																
610	Mounting kit for additional fan EBM	2987525													1	1	1	1	1	1	1	1	1				
610	Mounting kit for additional fan for models with capacity control EBM	2987514													1	1	1	1	1	1	1	1	1				

Miscellaneous					
Item	Specification	Order Number	Item	Specification	Order Number
Adapter	1/8" - 27 NPTF	2059791	Waterhose	1/2"	2486102
Adapter	1/4" - 18 NPTF	2038650	Waterhose	1"	2487569
Angle adapter	1/4" - 18 NPTF	2038956	Worm drive hose clip for waterhose	1/2"	2486113
T-adapter	1/8" - 27 NPTF	2059780	Worm drive hose clip for waterhose	1"	2487570
T-adapter	1/4" - 18 NPTF	2059779	Oil separator	OS-16	2981265
T-adapter for oil pressure safety switch	1/4" - 18 NPTF	2039993	Oil separator	OS-22 F	3097941
Schrader valve	1/8" - 27 NPTF	2051117	Oil separator	OS-28 F	2946482
Schrader valve	1/4" - 18 NPTF	2830696	Socket wrench for Torx-screw (rod)	1/2" - Drive	2455275
Schrader valve - T	1/8" - 27 NPTF	2048797	Sight glass key DK, DL, DN (except DN..2)		2831213
Connection for Schrader valve		2502400	Key for sight glass retainer for oil balance DK, DL, DN (except DN..2)	DK, DL, DN (except DN..2)	2831462
Loctite (tube 50 cm3)	Loctite 572	2195148	Screw plug	1/8" - 27 NPTF	2043156
Refrigeration-oil (can 1 l)	SHELL 22-12	2190814	Screw plug	1/4" - 18 NPTF	2045685
Refrigeration-oil (can 4 l)	Suniso 3 GS	3103953	Screw plug	3/8" - 18 NPTF	2040997
Refrigeration-oil (can 3 l)	ALKYLAT 150 DT	2834234	Screw plug	1/2" - 14 NPTF	2856027
Refrigeration-oil (can 1 US quart, appr. 0,946 l)	Mobil EAL ARCTIC 22 CC	3808203	Screw plug for liquid receiver and WR/K-receiver	1/2" - 14 NPTF Ms	2976838
Refrigeration-oil (can 1 US gallone, appr. 3,8 l)	Mobil EAL ARCTIC 22 CC	3808190	Liquid receiver, special horizontal design	13 l for DK	2479699
Refrigeration-oil (can 1 l)	ICI EMKARATE RL 32 CF	3808112	Liquid receiver, special horizontal design	23 l for DL, DN, DM, D2	2479702
Refrigeration-oil (can 5 l)	ICI EMKARATE RL 32 CF	3808123	Liquid receiver, special horizontal design	44 l for DL, DN, DM, D2, D3, D9, D4, D6	2479713
Refrigeration-oil (canister 25 l)	ICI EMKARATE RL 32 CF	3808134	Hand-refractometer	998-RMET-00	8024575
Varnish, grey (can 1 kg)	RAL 7031	2641141	Module for S-protection (complete for conversion into MP 23)	Kriwan INT 300 internal 120 V	3806025
Varnish, grey, spray (carton, 6 cans)	RAL 7031	2836898	Module for S-protection (complete for conversion into MP 23)	Kriwan INT 300 internal 230 V	2941852
Capillary tube with gaskets, Cu-ring	2,4 x 0,45 1000 mm length	3808214			
Capillary tube with gaskets, Cu-ring	2,4 x 0,45 1500 mm length	3808225			
Cleaning brushes for WR/K-condensers		2039324			