

Users manual

Wood's dehumidifier M10G



Wood's®

Visit our website www.woods.se for:
Usage advice, updated brochures, trouble shooter and service information.
Register your product for additional warranty: www.warranty-woods.com

CUSTOMER CARE AND SERVICE

Always use original spare parts.

When contacting our Authorised Service Centre, ensure that you have the following data available: Model number, receipt and serial number.

Warning / Caution-Safety information.

General information and tips.

Environmental information.

Subject to change without notice.

*Please read this manual carefully before installing and using your Wood's product.
Store the manual in a safe place for future reference and product warranty.*



Users manual Wood's dehumidifier M10G

Table of contents

<i>4</i>	<i>.....</i>	<i>English</i>
<i>13</i>	<i>.....</i>	<i>Swedish</i>
<i>25</i>	<i>.....</i>	<i>Danish</i>
<i>30</i>	<i>.....</i>	<i>Norwegian</i>
<i>37</i>	<i>.....</i>	<i>German</i>
<i>42</i>	<i>.....</i>	<i>French</i>
<i>48</i>	<i>.....</i>	<i>Spanish</i>
<i>57</i>	<i>.....</i>	<i>Dutch</i>
<i>66</i>	<i>.....</i>	<i>Lithuania</i>
<i>71</i>	<i>.....</i>	<i>Latvian</i>
<i>80</i>	<i>.....</i>	<i>Estonian</i>
<i>89</i>	<i>.....</i>	<i>Finnish</i>
<i>94</i>	<i>.....</i>	<i>Icelandic</i>
<i>103</i>	<i>.....</i>	<i>Romanian</i>
<i>111</i>	<i>.....</i>	<i>Greek</i>
<i>120</i>	<i>.....</i>	<i>Polish</i>



Flammable material. This appliance contains R290/Propane a flammable refrigerant. Refer to this manual for safety information. R290 refrigerant gas complies with European environmental directives. Do not pierce or burn. Maintenance and repairs requiring the assistance of other qualified personnel must be carried out under the supervision of specialists in the use of inflammable refrigerants.



Refer to this manual for safety information



Read technical manual



Read operators manual.

SAFETY INFORMATION



Before the installation and use of the appliance, carefully read the supplied instructions. The manufacturer is not responsible if an incorrect installation and use that causes injuries and damages. Always keep the instructions

with the appliance for future reference.

Children and vulnerable people safety

WARNING



Risk of injury or permanent disability.

This appliance can be used by children aged 8 years and above and persons with reduced physical, sensory or mental capabilities or lack of experience and knowledge if they have been given supervision or instruction concerning use of the appliance in a safe way and understand the hazards involved.

Do not let children play with the appliance.

Children of less than 3 years should be kept away unless continuously supervised. Keep all packaging away from children.

Cleaning and user maintenance shall not be made by children without supervision.

General Safety

This appliance is intended to be used in household and similar applications such as: – bathrooms, staff kitchen areas in shops, offices and other working environments. The rating plate is located at the back or the side of the dehumidifier. Keep ventilation openings clear of

obstruction.

Do not use mechanical devices or other means to accelerate the defrosting process, other than those recommended by the manufacturer. The appliance shall not be stored in a room with continuously operating ignition sources (for example; open flames, an operating gas appliance or an operation electric heater. Do not pierce or burn. Be aware that refrigerants may not contain an odour. Do not use water spray and steam to clean the appliance. Clean the appliance with a moist soft cloth. Only use neutral detergents. Do not use abrasive products, abrasive cleaning pads, solvents or metal objects. If the supply cord is damaged, it must be replaced by the manufacturer, its Authorised Service Centre or similarly qualified persons in order to avoid a hazard.

SAFETY INSTRUCTIONS

Installation

WARNING



Only a qualified person must install this appliance. Remove all the packaging. Do not install or use a damaged appliance. The appliance shall be installed,

operated and stored in a room with a floor area larger than 4m². Obey the installation instruction supplied with the appliance. Always be careful when you move the appliance because it is heavy. Always wear safety gloves.

Make sure the air can circulate around the appliance.

Wait at least 4 hours before connecting the appliance to the power supply. This is to allow the oil to flow back in the compressor.

Do not install the appliance close to radiators or other heat sources.

Do not install the appliance where there is direct sunlight. This device is only for indoor use. Ensure that the unit is placed on a stable and flat surface. If the surface is not stable there is a risk that the unit may be unstable and cause excessive vibration and that water will be released.

Electrical connection

WARNING

Risk of fire and electrical shock.

The appliance must be connected to a grounded outlet.

Make sure that the electrical information on the rating plate matches the power supply. If not, contact an

electrician.

Always use a correctly installed shockproof socket.

Do not use multi-plug adapters and extension cables.

Make sure not to cause damage to the electrical components (e.g. mains plug, mains cable).

Contact the Authorised Service Centre or an electrician to change the electrical components.

The mains cable must stay below the level of the mains plug.

Connect the mains plug to the mains socket only at the end of the installation.

Make sure that there is access to the mains plug after the installation.

Do not pull the mains cable to disconnect the appliance.

Always pull at the mains plug.

Use

WARNING

Risk of injury, burns, electrical shock or fire.

Do not change the specification of this appliance.

Be careful not to cause damage to the refrigerant circuit. It contains propane (R290), a natural gas with a high level of environmental compatibility. This gas is flammable.

If damage occurs to the

refrigerant circuit, make sure that there are no flames and sources of ignition in the room. Ventilate the room.

Do not put flammable products or items that are wet with flammable products near or on the appliance.

Disposal

WARNING

Risk of injury.

Disconnect the appliance from the mains supply.

Cut off the mains cable and discard it.

The refrigerant circuit of this appliance is ozone-friendly.

Contact your municipal authority for information on how to discard the appliance correctly.

Do not cause damage to the part of the cooling unit that is near the heat exchanger.

Always see to that the appliance is kept clean. Do not cover the unit.

Thank you

Thank you for choosing a Wood's dehumidifier. You are one of more than 600.000 people who have chosen a Wood's dehumidifier to prevent damages from excessive moisture and mould. Originating in Canada in 1950, Wood's has more than 60 years experience of developing and manufacturing dehumidifiers. When choosing a Wood's dehumidifier you'll get a unit with great quality, high capacity and that will extract the most litres per consumed kWh.

Workings of your dehumidifier

The Wood's M10G is a compressor dehumidifier. As the air is drawn through the dehumidifier by the fan, the air passes over the compressor cooled copper coils. The coils cool the water vapour, separating the water from the air.

The water drips down from the coils and is drained away with the water hose. Left is the dry air that is exhausted in the room. As the dehumidifier condensates the water vapour, heat energy is released. That is why a compressor dehumidifier will exhaust dry air that is extra beneficial for drying clothes, laundry, wood etc.

A compressor dehumidifier is the most energy efficient way to remove excess moist and bad odour. Keep the relative humidity level between 50% and 60% to maintain a safe and healthy indoor environment.

1. Installation and placement

Wood's dehumidifiers are easy to move around, but bare in mind the following.

- The dehumidifier should not be placed near radiators or other heat sources or exposed to direct sunlight, as it will reduce its performance.
- Keep at least 25cm distance from walls and other obstructions to max-

imize the air flow.

- For optimum performance, place the dehumidifier in the middle of the room.
- Make sure that the air flow from the inlet and outlet isn't blocked

Installation:

1. Place the dehumidifier on a flat and solid ground, preferably in the middle of the room.
2. Close all windows and ventilators in the room. Otherwise, moist air from the outside will continue to flow into the room.
3. Connect the dehumidifier to a grounded power outlet.

If the dehumidifier is transported horizontally, oil may have run out of the compressor and into the closed piping system. In such a case, let the dehumidifier stand for a few hours before being used. It is very important that the oil runs back into the compressor, otherwise the dehumidifier may be seriously damaged.

2. Using the M10G

Hygostat controlled

The unit will run only when the ambient humidity exceeds your set value.

Automatic restart

In the event of a power failure, the unit will continue to work according to your latest settings once the power returns.

Automatic defrost

The unit will defrost automatically when needed and resume to work when the defrost is completed.

When defrosting, the compressor shuts off and the defrost indication light is lit.

Start and stop the dehumidifier by pressing the ON/OFF button.

When the compressor is working, the compressor light is illuminated.

Set desired humidity

Press the UP and DOWN arrows to choose desired humidity level between 30% and 90%. The dehumidifier will shut off when desired humidity level is reached. Set value is shown in the display for a couple of seconds. After, the display returns to showing the ambient humidity level. Press the DOWN arrow until the display shows CO to have the dehumidifier running continuously. Continue function, no matter room humidity, machine continue running.

When ambient humidity level is below 35%, the display shows LO. When ambient humidity level is above 95%, the display shows HI.

NOTE: when desired humidity level is reached, the fan will continue to work for a couple of minutes before shutting off .

Set timer for automatic shut off

Press the timer button repeatedly to active the timer for automatic shut off between 1 and 24 hours. When activated, the timer light illuminates. Set value is shown in the display for a couple of seconds. After, the display returns to showing the ambient humidity level. Press the timer button until the display shows 0 and the timer light shuts off to deactivate. When shut off due to the timer, you need to press the power button to restart the unit.

4. Water drainage

When the water reservoir is full, the dehumidifier is shut off automatically.

Once the water reservoir is emptied the unit will automatically restart.

1. Disconnect the dehumidifier from the power source.
2. Empty the water reservoir.
3. Put the empty water reservoir back and check that the float moves freely.
4. Connect the dehumidifier to the power source.

Direct water drainage

Connect a water hose (10 mm) to the pipe on the back of the dehumidifier. Lead the other end to a drain. Make sure that the water can be drained downwards.

5. The air filter

The air filter prevents dust and dirt from entering the machine, prolonging its life expectancy. It is important the filter is cleaned regularly. Filter cleaning:

1. Remove the filter.
2. Wash it with warm water and a mild cleansing agent. Alternatively the filter may be vacuum cleaned.
3. Let the filter dry and put it back

It is very important that the filter is cleaned regularly; otherwise the dehumidifier might lose capacity and even be seriously damaged.

6. Maintenance

- Clean the unit with a soft moist cloth. Do not use solvents or strong cleaners as this might damage the surface of the unit.
- The cooling coils are best cleaned with a rag and warm water.

7. Service

If the dehumidifier requires servicing, you must first contact your local retailer. Proof of purchase is required for all warranty claims.

8. Warranties

2 years consumer warranty against production faults. Please note that the warranty is only valid upon the production of the receipt. The warranty is only valid if the product is used in accordance with the instructions and security warnings expressed in this manual. The warranty does not cover any damages caused

by improper handling of the product.

NOTE: The 2 years warranty only applies for consumers and not for commercial use of the unit.

This machine complies with EMC - Directives 2014/30/EU and its amendments

The unit is set to work between +5°C and +35°C.

If the temperature goes outside this range the unit might not work properly.

9. Hints

Sometimes it may be useful to use a frost guard or heater fan to make sure that the temperature does not fall below +10°C. Even if the M10G works down to temperatures as low as +5°C, its capacity will increase at higher temperatures as warm air carries more water.

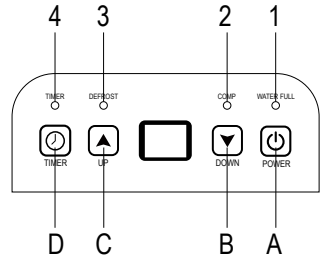
For maximum dehumidifying power in a room, it is recommended that the air supply from outside and from adjoining rooms is minimized – close doors and ventilators.

Expect higher dehumidification capacity during Autumn / Summer because the outside air is warmer and more humid.

To achieve a safe and reliable protection against mould and moisture damage, keep the relative humidity between 50% and 60%.

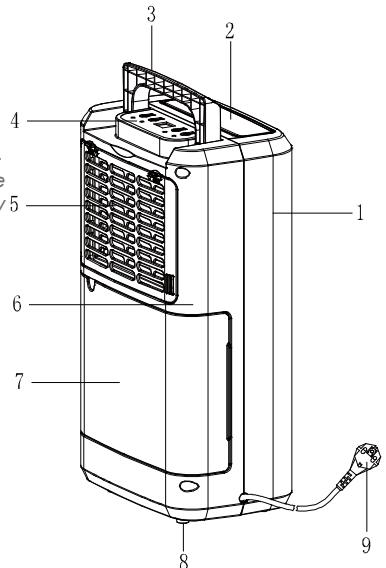
PARTS

- Parti componente
1. Front shell
 2. Outlet
 3. Handle
 4. Control Panel
 5. Filter box
 6. Back shell
 7. Tank
 8. Rubber feet
 9. Supply cord



OPERATING INSTRUCTIONS LED INDICATORS

- | | |
|-------------------|------|
| 1. WATER FULL-LED | Red |
| 2. COMP-LED | Blue |
| 3. DEFROST | Blue |
| 4. TIMER-LED | Blue |







Humidity Level & Timer 2 digit display



The indicator features 3 functions:


1. when you set the humidity, it will indicate the humidity that you have selected
2. when you program the time for the unit to turn on and off, it will show the hours.
3. When the environment humidity is lower than 35%, it will show "LO"
4. When the environment humidity is higher than 95%, it will show "HI"



Functions

- | | |
|---|---|
| A. On/Off button |  |
| B. Press arrow down to set lower the humidity |  |
| C. Press arrow up to set higher humidity |  |
| D. Timer button |  |

OPERATING INSTRUCTIONS


1. Plug in the unit.

2. Press  button to start operation, the power indicator will be on. Press it again to stop operation.

3. Press  or  button to set the desired humidity level in the room, which can be set from 30% to 90% at 5% intervals or "CO".

After a period of working, when environment humidity is lower than the selected humidity by 2%, compressor will stop ; When environment humidity is equal to or higher than the selected humidity by 3%, compressor will restart once 3-minute compressor protection time over.

When setting the humidity to " CO ", the compressor will run continuously .

4. press  button can be timer setting:

Press the button to program the time when the unit turns on and turns off. If you want to cancel the timer programming, press the button to adjust the time at 00, and press the button ,it will be circulate from 00-01-02.....23-24.It is the programmed time to switch the machine. The programmed time will be cancelled when to switch compressor manually each time. The programmed time remains unchanged if the machine stops to wok due to water full or during defrosting

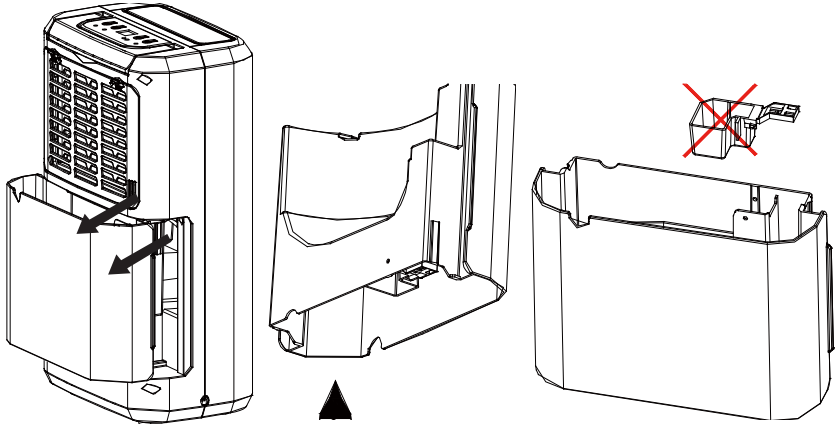
Noted: when ambient humidity reaches what you set before, both compressor and fan motor stop for 60mins firstly, and then, fan motor works for 3mins to detect ambient humidity, if it is higher than set, both compressor and motor works again; If it is lower than set, both compressor and motor stop for 60mins, and then motor works for 3mins again;

DRAINING THE COLLECTED WATER

When the drainage tank is full, the tank full indicator light will turn on, the operation will stop automatically and the buzzer will beep 15 times to alert the user, that the water need to be emptied from the drainage tank.

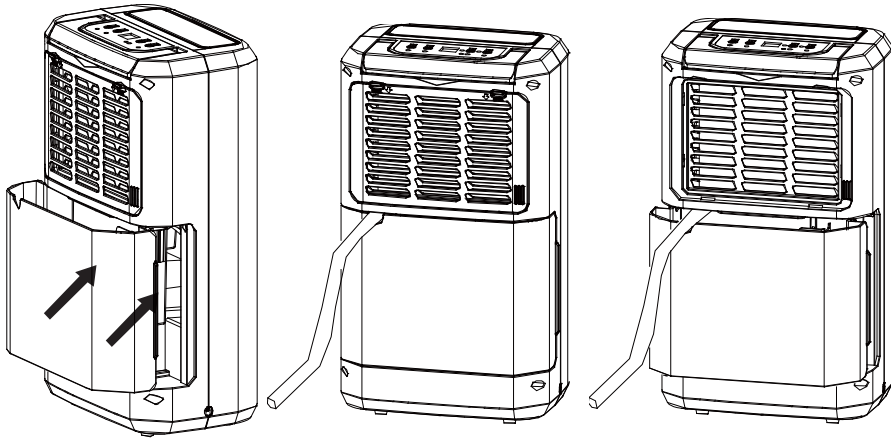
Emptying the Drainage Tank

1. Lightly press on the sides of the tank with both hands and pull the tank out gently.
2. Discard the collected water



NOTE!

1. Do not remove the float from the water tank. The water full sensor will no longer be able to detect the water level correctly without the float and water may leak from the water tank.
2. If the drainage tank is dirty, wash it with cold or lukewarm water. Do not use detergent, scouring pads, chemically treated dust cloths, gasoline, benzene, thinner, or other solvents, as these can scratch and damage the tank and cause water leakage
3. When replacing the drainage tank, press the tank firmly into place with both hands. If the tank is not positioned properly, the "TANK FULL" sensor will be activated, and the dehumidifier will not operate.



Continuous Water Drainage

The unit features a continuous drainage port. Using a plastic pipe (with an inner diameter of 10mm) inserts into drain hole (on intermediate plate), reach out from side of water tank, install it in place, and arrange the drain pipe. The water in the drainage tank can be continuously drained out from the continuous port on the unit.

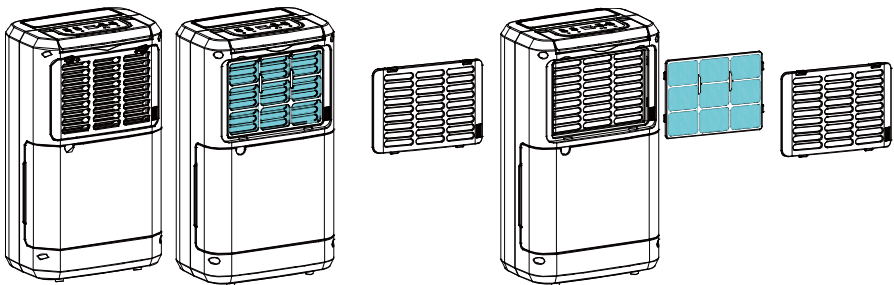
MAINTENANCE

Cleaning the Dehumidifier

To clean the Body: Wipe it with a soft damp cloth.

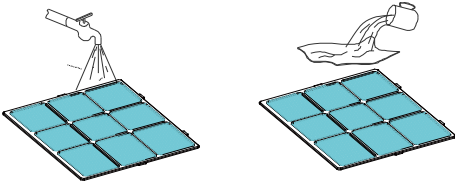
To Clean the Air Filter

1. Open the inlet grill firstly and remove the air filter



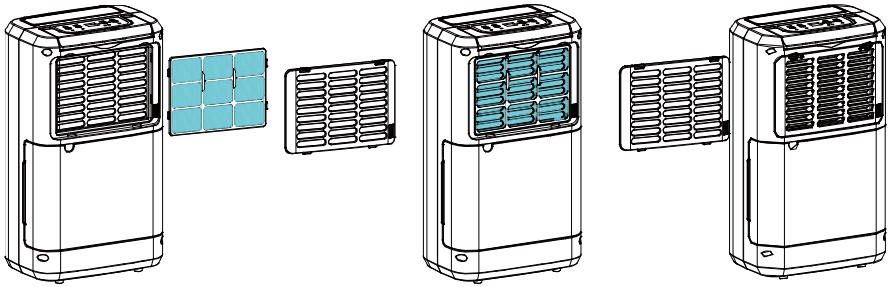
2. Clean the air filter

Run a vacuum cleaner lightly over the surface of the air filter to remove dirt. If the air filter is exceptionally dirty, wash it with warm water and a mild cleanser and dry thoroughly.



3. Attach the air filter

Insert the filter into the grill smoothly, and place the inlet grill into right place.



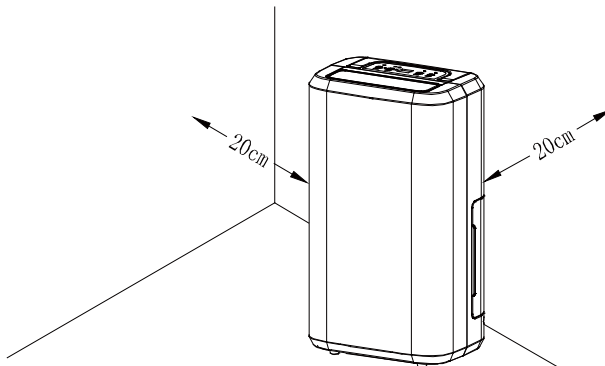
Storing the Dehumidifier

When the unit is not being used for a long period of time and you want to store it note the following steps:

1. Empty any water left in the drainage tank.
2. Fold up the power supply cord and put it in the water tank.
3. Clean the air filter
4. Discard in a cool and dry place .

Clearance

Maintain the minimum clearance around the dehumidifier when the unit is operating as shown in the left drawing.



TROUBLESHOOTING

If a condition listed below occurs, please check the following items before calling customer service.

Problem	Possible Cause	Solution
The unit doesn't operate	Has the power cord been disconnected?	Plug the power cord into the outlet.
	Is the tank full indication lamp blinking? (The tank is full or in a wrong position.)	Empty the water in the drainage tank and then reposition the tank.
	Is the temperature of the room above 35° or below 5°?	The protection device is activated and the unit cannot be started.
The dehumidifying function doesn't work	Is the air filter clogged?	Clean the air filter as instructed under "Cleaning the dehumidifier".
	Is the intake duct or discharge duct obstructed?	Remove the obstruction from the discharge duct or intake duct.
No air is discharged	Is the air filter clogged?	Clean the air filter as instructed under "Cleaning the dehumidifier".
Operation is noisy	Is the unit tilted or unsteady?	Move the unit to a stable, sturdy location.
	Is the air filter clogged?	Clean the air filter as instructed under "Cleaning the dehumidifier".
"E1" error code	Defrosted sensor failed.	Replace defrosted sensor.

Technical data Wood's M10G

Max. Working area	40 m ²
Recommended Room Size	2-30 m ²
Airflow	120 m ³ /h
Capacity (at 30°C & 80% RH)	10 Litres
Power	280 W
Tank Volume	2 Litres
Noise-Level	42 dB
Working Temperature	+5°C to +35°C
Fan Speeds	1
Dimensions, L x W x H	276x185x480 mm
Weight	9,5 kg
Refrigerant	R290
IP Code	IP21



This marking indicates that this product should not be disposed with other household wastes throughout the EU. To prevent possible harm to the environment or human health from uncontrolled waste disposal, recycle it responsibly to promote the sustainable reuse of material resources. To return your device, please use the return and collection systems or contact the retailer where the product was purchased. They can take this product for environmental safe recycling.



Brännbart ämne. Denna maskin innehåller R290/ Propan – ett brännbart köldmedium.



Se bruksanvisning.



Läs serviceinstruktion



Läs bruksanvisning.

SÄKERHETSINFORMATION

Läs den medföljande bruksanvisningen noggrant innan installation och användning av produkten. Tillverkaren är ej ansvarig för person- och egendomsskador som uppstår på grund av felaktig installation eller användning. Spara bruksanvisningen för framtida behov.

SÄKERHET FÖR BARN OCH HANDIKAPPADE

WARNING!

Risk för skador och permanent invaliditet. Denna produkt kan användas av barn från 8 års ålder och uppåt och av personer med

nedsatt fysisk, sensorisk eller mental förmåga samt personer med bristande erfarenhet och kunskap, om de övervakas eller instrueras beträffande hur produkten används på ett säkert sätt och förstår de risker som är förknippade med användningen. Låt inte barn leka med produkten. Barn under 3 år ska inte vistas i närheten av produkten utan ständig uppsikt. Håll förpackningsmaterial utom räckhåll för barn. Rengöring och användarunderhåll ska inte utföras av barn utan tillsyn.

ALLMÄN SÄKERHET.

Denna produkt är avsedd att användas i hushållsliknande tillämpningar såsom: - köllare, badrum, pentryn i butiker, på kontor och liknande arbetsmiljöer. Produktens märkskylt är placerad bakom kondensvattenbehållaren. Håll produktens ventilationsöppningar fria från hinder.

Använd ej andra metoder för avfrostning eller rengöring än de som rekommenderas av tillverkaren. Produkten ska inte förvaras i ett rum där kontinuerligt använda tändkällor finns (till exempel; öppen eld, gasvärmare eller elektriska värmare). Kylkretsen får ej punkteras eller utsättas för öppen låga. Köldmediet kan vara luktlöst. Spara inte vatten

eller ånga på produkten för att rengöra den. Använd en fuktad mjuk trasa vid rengöring tillsammans med rengöringsmedel. Undvik att använda slipande medel eller metallföremål. Om nätsladden är skadad måste den bytas av tillverkaren eller, en av tillverkaren auktoriserad verkstad eller liknande kvalificerad person för att undvika framkallande av fara.

SÄKERHETSINSTRUKTIONER

INSTALLATION

WARNING!

Endast kvalificerade personer får installera denna produkt. Avlägsna allt förpackningsmaterial. Installera eller använd inte en skadad produkt. Produkten ska installeras, användas och förvaras i ett rum med en golvyta större än 4m². Följ den bifogade installationsanvisningen noga. Iakttag alltid försiktighet om produkten ska flyttas eftersom den är tung. Använd alltid skyddshanskar. Tillsäta luft kan cirkulera runt produkten. Vänta minst 4 timmar innan produkten ansluts till nätspänning i syfte att låta kopersorns smörjmedel rinna tillbaka till kompressorn. Installera inte produkten i närheten av radior eller andra värmekällor. Installera inte produkten i dirket solljus.

ELEKTRISK ANSLUTNING

VARNING!

Risk för brand och elektriska stötar. Produkten måste anslutas till ett jordat eluttag. Kontrollera att märkskyltens elektriska information överensstämmer med nätspänningskällan. Om så inte är fallet, kontakta en elektriker. Använd alltid ett korrekt installerat stötsäkert och jordat eluttag. Använd inte grenuttag eller förlängningsladdar. Vid skadad anslutningsladd (t.ex. stickpropp eller nätsladd) kontakta en av tillverkaren auktoriserad verkstad eller en elektriker om en elektrisk komponent behöver bytas. Nätsladden ska befinna sig nedanför stickproppen efter installation. Anslut nätsladden sist i installationen. Tillså att nätsladdens stickpropp är åtkomlig efter installationen. Dra inte i nätsladden för att koppla loss produkten från eluttaget. Drag alltid i stickproppen.

ANVÄNDNING

VARNING!

Risk för personsador, elektriska stötar eller brand. Produktens specifikation får inte ändras. Iakttag försiktighet för att inte skada produkten kylkrets. Produkten innehåller propan (R290), ett naturligt köldmedel

med låg miljöpåverkan. Köldmediegasen är brandfarlig. Om kylkretsen skadas tillså att öppen låga eller andra tändkällor inte finns i rummet. Vädra utrymmet. Placera inte brännbara ämnen eller föremål dränkta i brännbara ämnen i närheten av, eller på produkten. Produkten får inte täckas

AVYTTRING

VARNING!

Risk för skador. Koppla loss produkten från eluttaget. Klipp av nätsladden nära produkten och kassera den. Köldmediet i kylkretsen på denna produkt är miljövänligt. Kontakta de lokala myndigheterna för information angående korrekt avyttring av produkten. Skada inte kylväggens närmast förångaren då kylmedia kan läcka ut.

Tack

Tack för att du valt en Wood's avfuktare. Du är en av mer än 600.000 människor som har valt Wood's avfuktare för att förebygga skador orsakade av fukt och mögel. Wood's startade i Kanada år 1950 och har mer än 60 års erfarenhet av att utveckla och tillverka avfuktare. När du väljer en Wood's avfuktare kan du vara säker på att du får en avfuktare av bästa kvalitet, hög kapacitet och som kommer att avfukta flest liter vatten per förbrukad kWh.

Wood's M10G

Wood's M10G är en väldigt smidig och kompakt avfuktare. Wood's M10G kan användas i många olika utrymmen, till exempel i badrum, sovrum, sommarstugor eller båtar.

Så fungerar din avfuktare

Wood's M10G är en kompressoravfuktare. När luften dras genom avfuktaren med fläkten, passerar den fuktiga luften över det kompressorkyl- da kondenspaketet. Paketet kylar ner vattenångan och separerar vattnet från luften.

Vattnet rinner från slingorna och ner i vattentanken alternativt leds bort till ett avlopp med vattenslangen. Kvar är torr luft som blåses ut i rummet. När avfuktaren kondenserar vattenångan frigörs värmeenergi. Därför blåser en kompressoravfuktare ut torr luft som är perfekt för att torka tvätt, kläder, ved m.m.

En kompressoravfuktare är det mest energieffektiva sättet att ta bort överflödigt fukt och dålig lukt. Håll den relativa fuktigheten mellan 50% och 60% för att säkerställa ett tryggt och hälsosamt inomhusklimat.

1. Säkerhetsföreskrifter

Läs dessa varningar noggrant innan du använder avfuktaren. Om säkerhetsföreskrifterna inte följs kan det leda till att garantin blir ogiltig och även innebära en säkerhetsrisk.

- Dra alltid ut strömsladden innan underhåll, förvaring och filterrengöring.
- Håll alltid ett behörigt avstånd från vattenkällor.
- Denna apparat är inte avsedd att användas av personer (inklusive barn) med försämrad fysisk, mental, eller psykisk förmåga eller brist på erfarenhet eller kunskap, om de inte övervakas eller gets instruktioner om användning av apparaten av en person som är ansvarig för dess säkerhet.
- Barn bör övervakas för att säkerställa att de inte leker med apparaten.
- Apparaten måste installeras i enlighet med nationella kopplingsföreskrifter.
- Apparaten är en värmekälla. Den får därför inte övertäckas eller komma i kontakt med andra värmekällor eller brandfarliga ämnen.
- Om strömsladden är skadad, måste den bytas ut av tillverkaren, dess serviceagent eller liknande kvalificerad personal för att undvika skador.
- Stick inte in fingrar eller andra objekt i luftintaget eller luftutblåset.
- Ändra inte eller bygg om avfuktaren eller dess strömsladd på något sätt.
- Det är mycket viktigt att filtret hålls rent. Kontrollera filtret regelbundet och byt ut eller rengör det vid behov.
- Dra aldrig in strömsladden för att koppla ur den från eluttaget.
- Kompressor är fylld med ett freonfritt kylmedia. Om det blir ett läckage på kylsystemet ska du sluta använda avfuktaren och kontakta din återförsäljare.
- Använd inte maskinen utan dess filter.
- Stå inte på avfuktaren.
- Dränera alltid vattnet enligt instruktionerna.
- Avfuktaren avger vatten. Håll alltid ett säkert avstånd från material som är känsliga för vattenskador, t.ex. trägolv.

2. Installation & placering

Wood's avfuktare är enkla att flytta runt, men tänk på följande.

- Avfuktaren ska inte placeras nära element eller andra värmekällor då det kan sänka avfuktaren kapacitet.
- Håll minst 25cm avstånd från väggar och andra hinder för att maximera luffflödet.
- För bästa kapacitet, placera avfuktaren i mitten av rummet.
- Se till luftintaget och luftutblåset inte blockeras.

Installation:

1. Placera avfuktaren på ett plant och stabilt underlag, helst i mitten av rummet.
2. Stäng alla fönster och ventiler i rummet. Annars fortsätter fuktig luft utifrån att strömma in i rummet.
3. Anslut avfuktaren till ett jordat eluttag.

Om avfuktaren transporterats liggande kan det hända att olja runnit ut från kompressorn och in i det slutna rörsystemet. Låt då avfuktaren stå i några timmar innan den tas i bruk.

Det är mycket viktigt att oljan hinna rinna tillbaka in i kompressorn, annars kan avfuktaren ta allvarlig skada.

Starta och stanna avfuktare med ON/OFF knappen.

Kompressorlampan lyser när avfuktaren arbetar.

Ställ in önskad luftfuktighet.

Tryck på PIL UPP och PIL NER för att ställa in önskad luftfuktighet mellan 30% och 90%. Avfuktaren stänger automatiskt av sig när önskad luftfuktighet är uppnådd. Inställt värde visas i displayen i några sekunder. Efter det återgår displayen till att visa rummets luftfuktighet. Tryck på PIL NER tills displayen visar CO för att aktivera kontinuerlig avfuktning. I kontinuerligt läge arbetar avfuktaren tills du stänger av den eller ändrar läge.

När rummets luftfuktighet är under 35% visar displayen LO. När rummets luftfuktighet är över 95% visar displayen HI.

OBS: när önskad luftfuktighet är uppnådd fortsätter fläkten att arbeta några minuter efter att kompressorn stannat innan den också stannar.

Ställ in timern för automatisk avstängning

Tryck på TIMER knappen upprepade gånger för att ställa in tid för automatisk avstängning. När TIMERN är aktiverad lyser en lampa på kontrollpanelen. Inställd tid visas i displayen i några sekunder innan den återgår till att visa rummets luftfuktighet. När inställd tid har passerat stängs avfuktaren av. För att starta avfuktaren igen behöver du manuellt sätta på den med ON/OFF knappen.

Tryck på TIMER knappen tills värdet 0 visas för att avaktivera timern.

4. Vattenavledning

När vattenbehållaren är full stängs avfuktaren av automatiskt och kan inte användas innan vattenbehållaren töms.

1. Koppla bort avfuktaren från eluttaget.
2. Töm vattenbehållaren.

3. Sätt tillbaka den tömda vattenbehållaren.

4. Sätt avfuktarens kontakt i eluttaget.

Direkt vattenavledning

Anslut en vattenslang (10 mm) till röret på baksidan av avfuktaren. Led den andra änden av slangen till ett avlopp. Se till att vattnet kan ledas nedåt.

5. Luftfiltret

Luftfiltret förhindrar damm och smuts från att ta sig in i avfuktaren och förlänger dess livslängd. Filterrengöring:

1. Ta bort filtret från maskinen.
2. Lyft ut filtret och tvätta det med varmt vatten och ett mildt rengöringsmedel. Alternativt kan filtret dammsugas.
3. Låt filtret torka och sätt sedan tillbaka det.

Det är mycket viktigt att filtret rengörs regelbundet, annars kan avfuktaren tappa kapacitet och till och med bli allvarligt skadad.

6. Underhåll

- Rengör avfuktaren med en fuktig trasa. Undvik lösningsmedel och starka rengöringsmedel då det kan skada avfuktarens yta.

- Kylslingorna kan rengöras med en trasa och varmt vatten.

7. Service

Om avfuktaren behöver service ska du först kontakta din återförsäljare. Inköpskvitto krävs vid alla garantianspråk.

8. Garantier

2 års produktgaranti. Notera att garantin bara är giltig mot uppvisande av kvitto.

Denna maskin överensstämmer med EEC direktiven 76/889 + 82/499

9. Tips

Det kan ibland vara bra att använda en värmefläkt för att hålla temperaturen över +10°C. Även om M10G fungerar ner till +5°C kommer dess kapacitet öka vid högre temperaturer då varm luft kan bära mer vatten.

För bästa kapacitet, se till att minimera luftinflödet utifrån - stäng fönster och ventiler.

Förvänta dig högre kapacitet under sommaren och hösten då utomhusluften är varmare och fuktigare.

För att uppnå ett säkert och pålitligt skydd mot fukt och mögel, håll den relativa fuktigheten mellan 50% och 60%.

Enheten är inställd att fungera mellan +5°C och +35°C. Om temperaturen går utanför detta intervall kan det hända att avfuktaren inte fungerar ordentligt.

SPARA BRUKSANVISNINGEN**PÅ EN SÄKER PLATS.**

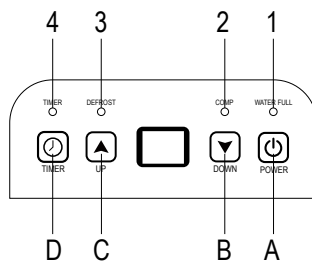
Tack för att du valt en avfuktare som ger din familj och hem den välförtjänta komforten. Denna handbok ger dig nödvändig information för användning och underhåll av din nya avfuktare. Vänligen använd några minuter att läsa bruksanvisningen innan du använder avfuktaren för att bekanta dig med alla funktioner.

Denna utrustning tar bort luftfuktighet, vilket ger en bekväm miljö i ditt hem eller kontor. Det kan bekvämt flyttas från rum till rum.

till avloppet.

9. Om nätsladden är skadad måste den bytas ut av leverantören eller serviceföretaget.

1. Front
2. Luftutblås
3. Handtag
4. Kontrollpanel
5. Filter
6. Bakstycke
7. Vattentank
8. Gummifot
9. Strömkabel



Hög avfuktningskapacitet

Genom att använda kylteknik tar avfuktaren bort luftfuktigheten, vilket håller luften inifrån till en bekväm nivå.

Avfuktaren är kompakt och lätt. Den kan flyttas från rum till rum efter behov.

Justerbar Hygrostat: Ställ in önskad luftfuktighet med inbyggd hygrostat. Timer På / Av: Planera funktionen av avfuktaren.

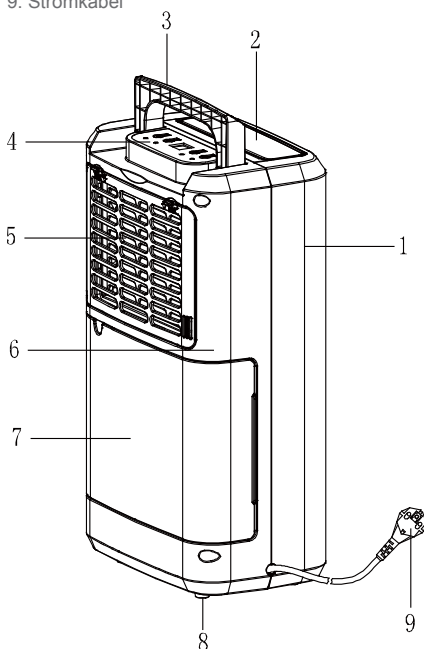
Tyst drift: Avfuktaren fungerar tyst.

Energieffektivitet: Effektförbrukningen av avfuktare är låg.

SÄKERHET

När du använder avfuktaren, följ säkerhetsanvisningarna nedan:

1. Koppla ur apparaten från strömförsörjningen före rengöring eller underhåll och före lagring.
2. Doppa inte apparaten i vatten, spraya inte apparaten med vatten, lägg inte apparaten nära en vattenkälla.
3. Placera inte apparaten nära värmekällor eller nära brandfarliga eller farliga material.
4. Sätt inte in fingrar eller andra föremål i luftutloppet eller luftintaget.
5. Sätt inte på apparaten.
6. Töm vattnet från behållaren vid behov.
7. Starta inte avfuktaren i mycket små utrymmen. 8. Montera avloppsslangen vid kontinuerlig dränering så att det finns ett fritt fall i avloppet och

**ANVISNINGAR FÖR LED LAMPOR**

1. Vid fast sken full vattentank-
2. Vid fast sken- går kompressorn
3. Avfrostning
4. Timer

vattnet kan dräneras från apparaten

Fuktnivå och Timer



1. När fuktigheten ställs in visar displayen den fuktighet du ställt in.
2. När du programmerar timern för att slå på och stänga av maskinen, visar displayen timmarna.
3. När luftfuktigheten i rummet är under 35% visar displayen LO.
4. När rumsfuktigheten är över 95%, kommer displayen att indikera "HI".

KNAPPFUNKTIONER

A. ON/OFF



B. Sänk luftfuktigheten



C. Höj luftfuktigheten





D. Timer



1. Anslut enheten.

2. Tryck på knappen  för att slå på maskinen. Tryck igen för att stoppa operationen.

3. Tryck på  eller  för att ställa in önskad luftfuktighet, den intervall du kan välja är mellan 30% och 90% i ett område på 5%.

Om det inställda värdet är lägre än 2%, kommer kompressorn att stanna och fläkten fortsätter att gå i ytterligare 3 minuter och sedan stanna. När luftfuktighetsnivån är högre än inställt värde startar kompressorn för att ställa in önskad luftfuktighetsnivå i rummet, som kan ställas in från 30% till 90% med 5% intervall eller "CO".

När omgivningens fuktighet är lika med eller högre än den valda fuktigheten med 3%, startar kompressorn en gång igen. När luftfuktigheten ställs in på "CO" kommer kompressorn att gå kontinuerligt.

4. Tryck på  timerinställningsknappen enligt följande:

Tryck på knappen för att programmera tiden du vill att avfuktaren stannar. När du vill avbryta Timer-läge, tryck på knappen igen för att välja tiden vid 00. Inställningsområdet är 00-01-02 23-24. Den programmerade tiden ändras inte om apparaten stannar på grund av full vattenbehållare.

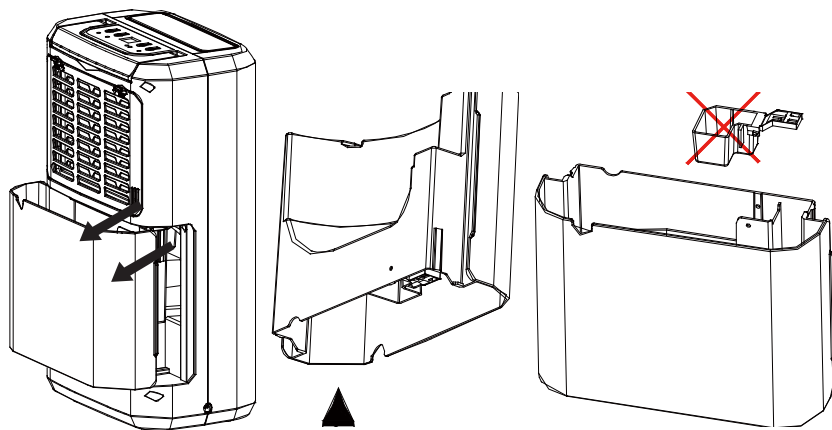
Noteras: när den omgivande fuktigheten når vad du ställde in tidigare stoppar både kompressor och fläktmotor under 60 minuter, och sedan fungerar fläktmotorn i 3 minuter för att upptäcka omgivningens fuktighet, om den är högre än inställd, fungerar både kompressor och motor igen; Om den är lägre än inställd, stannar både kompressor och motor i 60 minuter, och sedan fungerar motorn i 3 minuter igen;

Vattenbehållare

När vattentanken är full, tänds indikatorlampan, avfuktningfunktionen stängs av automatiskt. Du hör en pip (15 pip) för att varna om att tömma behållaren.

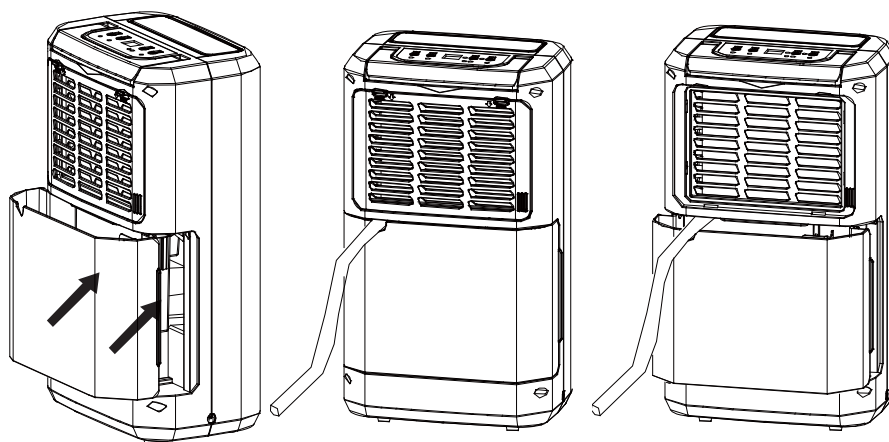
Tömning av behållaren

1. Tryck försiktigt på behållarens sidor med båda händerna och dra långsamt ut behållaren.
2. Töm det uppsamlade vattnet.



VARNING!

1. Ta inte bort flottören från behållaren.
2. Om vattenbehållaren är smutsig, rengör den med en mjuk trasa och varmt vatten. Använd inte tvättmedel, slipmedel eller produkter eller aggressiva ämnen, använd inte bensin, tunnare eller andra lösningsmedel som kan försämra behållaren och orsaka läckage i vatten.
3. När du lägger behållaren på plats, tryck på behållaren och placera den med båda händerna. Om behållaren inte är korrekt placerad, tänds behållaren för fullständig behållare och avfuktaren fungerar inte.



Direktavrinning till avloppsbrunn

Apparaten är utrustad med det kontinuerliga evakueringsalternativet för det uppsamlade vattnet. Använd en plastslang (10 mm i innerdiameter) genom att ansluta den till apparatens utlopp och den fria änden till avloppet. Se till att du har ledigt vatten från apparaten till avloppet

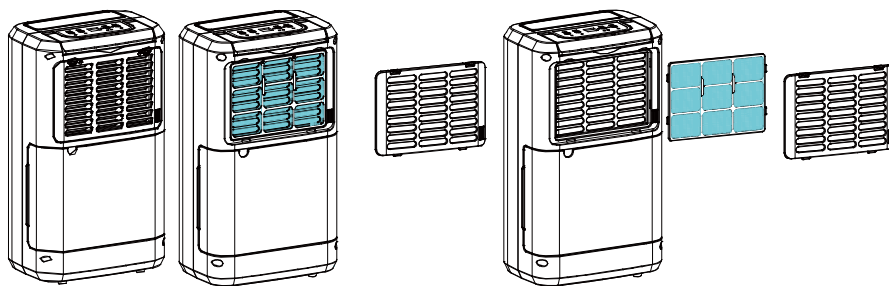
UNDERHÅLL

Rengör avfuktaren

Rengöring av höljet: Torka höljet med en mjuk, fuktig trasa.

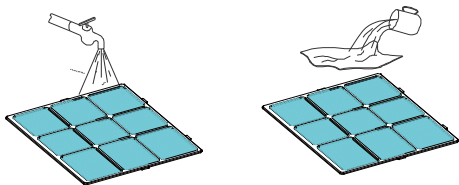
Rengöring av luftfiltret

1. Öppna skyddsgaller och ta bort luftfiltret.



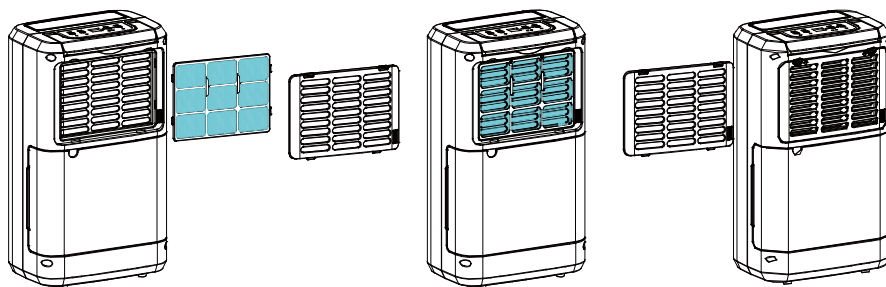
2. Rengör luftfiltret

Kör en dammsugare lätt över luftfilterets yta för att ta bort smuts. Om luftfiltret är extra smutsigt, tvätta det med varmt vatten och ett mildt rengöringsmedel och torka noggrant.



3. Fäst luftfiltret

Sätt in filtret i grillen varsamt och placera inloppsgrillen på rätt plats.



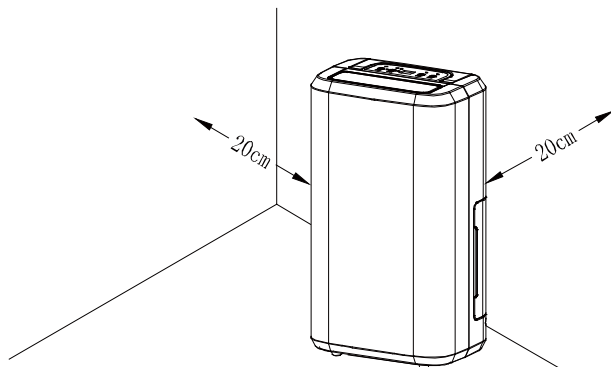
Förvara avfuktaren

När enheten inte används under en längre tid och du vill lagra den, observera följande steg:

1. Töm allt vatten som finns kvar i dräneringstanken.
2. Lägg ihop nätsladden och lägg den i vattentanken.
3. Rengör luftfiltret.
4. Förvara på en sval och torr plats.

Röjning

Håll minsta avstånd runt avfuktaren när enheten är i drift enligt bilden nedan.



Tekniska data Wood's M10G

Max arbetsområde	40 m ²
Rekommenderat arbetsområde	2-30 m ²
Luftflöde	120 m ³ /h
Kapacitet (vid 30°C & 80% RH)	10 liter
Effekt	280 W
Volym vattentank	2 liter
Ljudnivå	42 dB
Arbetsintervall temperatur	+5°C till +35°C
Fläkthastigheter	1
Mått, L x B x H	276x185x480 mm
Vikt	9,5 kg
Kylmedia	R290

Felsökning

Om du har problem med din avfuktare, vänligen se nedan felsökning.

Om inget av nedan fungerar ska du kontakta din återförsäljare för service av din avfuktare.


Problem	Orsak	Lösning
Avfuktaren fungerar inte	Är strömledaren ansluten?	Anslut avfuktaren till ett jordat eluttag
	Är rummets temperatur över 35°C eller under 5°C?	Öka eller sänk rummets temperatur
Avfuktaren startar inte	Är filtret igensatt?	Rengör filtret
	Är luftintaget eller utblåset blockerat?	Se till att inget blockerar luften
Inget luftintag	Är filtret igensatt?	Rengör filtret
Onormal ljudnivå	Är enheten lutad?	Flytta enheten till ett plant och stabilt underlag.
	Är filtret igensatt?	Rengör filtret
Felkod E1	Fel på fuksensorn	Kontakta din återförsäljare

Denna märkning indikerar att produkten inte skall slängas med övriga hushållssopor över hela EU. För att förhindra skador på miljö och människor från okontrollerad sophantering, återvinn produkten ansvarsfullt för att stödja ett hållbart återanvändande av resurser. För att returnera produkten, vänligen vänd dig till din återförsäljare.



Brændbart materiale. Dette apparat indeholder R290/propan, som er et brændbart kølemiddel.

 Se betjeningsvejledningen.


 Læs den tekniske vejledning

 Læs betjeningsvejledningen.

SIKKERHEDSOPLYSNINGER

Læs de medfølgende instruktioner omhyggeligt, inden apparatet installeres og tages i brug. Producenten er ikke ansvarlig, hvis forkert installation og brug forårsager person- og tingskade. Opbevar altid vejledningen sammen med apparatet til fremtidig reference.

Børns og udsatte personers sikkerhed

ADVARSEL  Risiko for personskade eller permanent invaliditet. Dette apparat kan anvendes af børn i alderen 8 år og derover samt personer med nedsatte fysiske, sensoriske eller mentale evner eller manglende erfaring og viden, hvis de superviseres eller har

fået instruktion i at bruge apparatet på en sikker måde og forstår, hvilken fare det indebærer. Lad ikke børn lege med apparatet.

Børn under 3 år skal holdes væk fra apparatet, medmindre de hele tiden overvåges.

Al emballage skal holdes væk fra børn.

Rengøring og brugervedligeholdelse må ikke foretages af børn uden opsyn.

Generelle sikkerhedsforskrifter

Dette apparat er beregnet til brug i husholdninger og til lignende anvendelser, eksempelvis kældre og krybegange samt personalekøkkener i butikker, på kontorer og i andre arbejdsmiljøer. Mærkepladen er placeret bag affugterens vandbeholder. Ventilationsåbningerne må ikke blokeres.

Der må ikke anvendes mekaniske anordninger eller andre midler til at fremskynde afrimningsprocessen, bortset fra dem, producenten anbefaler.

Apparatet må ikke opbevares i et lokale, hvor der løbende anvendes antændingskilder, eksempelvis åben ild, gasapparater eller et elektrisk varmeapparat. Må ikke punkteres eller brændes. Vær opmærksom på, at kølemidler ikke nødvendigvis kan lugtes. Brug ikke vand eller

damp til at rengøre apparatet.

Rengør apparatet med en fugtig, blød klud. Brug kun neutrale rengøringsmidler. Brug ikke slibemidler, slibende rengøringsvæpne, opløsningsmidler eller metalgenstande. Hvis elledningen er beskadiget, skal den udskiftes af fabrikanten, et autoriseret servicecenter eller en tilsvarende kvalificeret person for at undgå fare.

SIKKERHEDSANVISNINGER

Installation

ADVARSEL



Dette apparat må kun installeres af en kvalificeret person. Fjern al emballagen. Apparatet må ikke installeres eller anvendes, hvis det er beskadiget. Apparatet skal installeres, betjenes og opbevares i et lokale med et gulvareal, der er større end 4 m². Følg installationsvejledningen, der følger med apparatet. Vær altid forsigtig, når du flytter apparatet, da det er tungt. Brug altid sikkerhedshandsker.

Sørg for, at luften kan cirkulere omkring apparatet. Vent mindst 4 timer, før apparatet tilsluttes til strømforsyningen. Dette er for at give olien mulighed for at flyde tilbage i kompressoren. Apparatet må ikke installeres tæt på radiatorer eller andre varmekilder. Apparatet må ikke installeres et sted, hvor der er direkte sollys.

Apparatet må ikke installeres et sted, hvor der er direkte sollys.

Elektrisk tilslutning

ADVARSEL

Risiko for brand og elektrisk stød.

Apparatet skal tilsluttes til en jordet stikkontakt.

Sørg for, at

strømplysningsnerne

på mærkepladen er i

overensstemmelse med

strømforsyningen. Hvis

ikke, skal du kontakte en elektriker.

Brug altid en korrekt

installeret og stødsikker stikkontakt.

Brug ikke adaptere til flere stik og forlængerkabler.

Sørg for ikke at beskadige de elektriske komponenter (f.eks. netstik, strømkabel).

Kontakt et autoriseret

servicecenter eller en

elektriker for at ændre de elektriske komponenter.

Netkablet skal forblive under netstikkets niveau.

Tilslut først netstikket til

stikkontakten som det

sidste i forbindelse med

installationen.

Sørg for, at der er adgang

til netstikket efter

installationen.

Træk ikke i strømkablet for at frakoble apparatet. Træk altid i netstikket.

Anvendelse

ADVARSEL

Risiko for personskade,

forbrændinger, elektrisk stød eller brand.

Du må ikke ændre specifikationen for dette apparat.

Pas på ikke at beskadige kølemiddelkredsløbet.

Det indeholder propan

(R290), som er en naturgas

med en høj grad af

miljøvenlighed. Denne gas er brændbar.

Hvis der opstår skader på

kølemiddelkredsløbet,

skal du sørge for, at

der ikke er flammer og

antændelseskilder i lokalet.

Udluft lokalet.

Placer ikke brændbare

produkter eller genstande,

der er gennemvædet

med brændbare væsker,

i nærheden af eller på

apparatet.

Bortskaffelse

ADVARSEL

Risiko for personskade.

Træk apparatets stik ud af stikkontakten.

Fjern strømkablet, og kassér det.

Kølemiddelkredsløbet i dette apparat er ozonvenligt.

Kontakt kommunen for at

få oplysninger om korrekt

bortskaffelse af produktet.

Den del af køleenheden,

der er i nærheden af

varmeveksleren, må ikke

beskadiges.

Tak

Tak fordi du valgte en Wood's affugter. Du er en af mere en 600.000, som har valgt en Wood's affugter til af forhindre skader fra overskydende fugt og skimmel. Med oprindelse i Canada i 1950, har Wood's mere en 60 års erfaring med udvikling og fremstilling af affugtere. Når du vælger en Wood's affugter, får du en enhed af høj kvalitet, høj ydeevne og som vil udtrække flest liter pr. forbrugt kWh.

Affugterens funktioner

Wood's M10G er en kompressor affugter. Når ventilatoren trækker luften gennem affugteren, ledes den over kompressorens kølende kobberspøler. Spølerne afkøler vanddamper og adskiller derved vandet fra luften.

Vandet drypper ned fra spølerne og drænes væk med vandslangen. Tilbage er den tørre luft, som blæses ud i rummet. Idet affugteren kondenserer vanddampen, udløses varmeenergi. Det er derfor kompressor affugteren udleder varm, tør luft til rummet – til ekstra gavn ved tørring af vasketøj, vådt overtøj, brænde mv.

En kompressor affugter er den mest energieffektive måde at fjerne overskydende fugt og dårlig lugt på. Hold den relative fugtighed mellem 50% og 60% for at opretholde et sikkert og sundt indeklima.

1. Sikkerhedsadvarsler

Læs disse sikkerhedsadvarsler før brug:

- Tag stikket ud af strømforsyningen før rengøring, ved opbevaring eller ved vedligeholdelse af filter.
- Hold altid enheden i en sikker afstand fra vandkilder.
- Dette apparat er ikke beregnet til brug af personer (herunder børn) med nedsat fysisk, sensorisk eller psykisk funktionsevne, eller manglende erfaring og viden, medmindre de er blevet vejledt eller instrueret i brug af enheden af en person med

ansvar for deres sikkerhed.

- Børn skal overvåges for at sikre, at de ikke leger med apparatet.
- Hvis ledningen er beskadiget, skal den udskiftes af producenten, dennes serviceværksted eller af en kvalificeret fagmand for at undgå enhver risiko.
- Placér ikke enheden i nærheden af varmegenererende udstyr, brændbart eller farligt gods.
- Put ikke fingre eller andre genstande ind i luft ind- eller udtaget.
- Stå ikke oven på maskinen.
- Følg altid enhedens instruktioner for bortledning af vandet.
- Enheden producerer vand; hold derfor altid en sikker afstand til materialet som kan blive beskadiget ved udsættelse for vand, som f.eks. trægulve.

2. Installation og placering

Wood's affugtere er nemme at flytte rundt på, men vær opmærksom på følgende:

- Affugteren må ikke placeres i nærheden af varmeapparater eller andre varmekilder, eller udsættes for direkte sollys. Dette vil sænke enhedens ydeevne.
- Hold en afstand på mindst 25 cm fra vægge og andre forhindringer for at maksimere luftstrømmene.
- Er affugteren placeret midt i rummet opnås optimal ydelse.
- Sørg for at luftstrømmen fra luft ind- og udtaget ikke er blokeret.

Installation:

1. Placér affugteren på et plant og solidt underlag, fortrinsvis i midten af rummet.
2. Luk alle vinduer og luftkanaler i rummet. Ellers vil fugtig luft udefra fortsætte med at strømme ind i rummet.
3. Enheden er til 220-240 V / 50 Hz, men leveres med schuko stik, så du har mulighed for

tilkobling af stikprop adapter til jord. Vi anbefaler generelt, for en sikkerheds skyld, altid at benytte jord på elektriske apparater.

3. Brug af M10G

Tilslut og tænd affugteren

Når kompressoren arbejder, tændes lyset i "Compressor" indikatoren.

1. Sørg for at affugteren er slukket på POWER-knappen.
2. Tilslut affugterens strømstik til en strømforsyning.
3. Tryk på POWER – affugteren starter.

Sluk for affugteren

1. Tryk på POWER-knappen igen for at slukke for affugteren.
2. Tag stikket ud af strømforsyningen, hvis du har planer om at ikke at bruge affugteren i længere tid.

Automatisk afrimning

Affugteren vil automatisk afrime når nødvendigt. Når enheden kører en afrimningscyklus, vil kompressoren lukke ned og Defrost indikatoren vil lyse. Affugteren vil automatisk genstarte når afrimningen er gennemført.

Indstil ønsket luftfugtighed.

Tryk på UP (↑) og DOWN (↓) pilene for at vælge det ønskede fugtighedsniveau mellem 30% og 90%. Affugteren vil lukke ned, når den ønskede fugtighed er opnået. Den indstillede værdi vises i displayet i nogle sekunder. Herefter vises værdien for den omgivende luftfugtighed igen. Skal enheden affugte kontinuerligt trykkes på DOWN (↓) pilen indtil displayet viser CO.

Når den omgivende luftfugtighed er under 35% viser displayet LO. Når den omgivende luftfugtighed er over 95% viser displayet HI.

VIGTIGT: Når den ønskede luftfugtighed er opnået, vil blæseren fortsætte med at køre i nogle minutter, før den lukker ned.

Indstilling af Timer for automatisk nedlukning

Tryk på Timer knappen gentagne gange for at aktivere Timeren til automatisk nedlukning mellem 1 og 24 timer. Når Timer er aktiveret, vil Timer indikatoren lyse. Den valgte værdi vises i displayet i nogle sekunder. Herefter vises værdien for den omgivende luftfugtighed igen. For at deaktivere tryk på Timer knappen indtil displayet viser 0 og lyset i Timer indikatoren slukker. Når enheden lukker ned via Timer, skal du trykke på Power knappen for at genstarte enheden.

4. Vandafledning

Når vandtanken er fuld lukker enheden ned og lyset tændes i "Water full" indikatoren:

1. Fjern stikket til affugteren fra strømforsyningen.
2. Tøm vandbeholderen.
3. Sæt den tomme vandbeholder tilbage og tjek at flyderen kan bevæge sig frit.
4. Sæt stikket tilbage i strømforsyningen.

Sådan anvendes slangen:

Ønsker du at aflede vandet direkte til et afløb, skal du tilslutte en vandslange (10 mm) til røret på bagsiden af affugteren. Før den anden ende til afløbet. Sørg for at slangen har et jævnt fald mod afløbet, og ikke er placeret højere oppe end vandtanken.

5. Luftfiltret

Luftfiltret bag på affugteren sørger for at kølespiralerne holdes fri for støv. Det er vigtigt at filteret holdes rent, så luften uhindret kan strømmen igennem affugteren. Derfor bør filtret rengøres jævnligt og efter behov.

1. Skyd filteret op.

2. Løft filtret ud og vask det i varmt vand og et mildt rengøringsmiddel. Alternativt kan filteret rengøres med en støvsuger.
3. Lad filteret tørre og sæt det på plads.

Det er meget vigtigt at filtret vaskes regelmæssigt, ellers kan affugterens kapacitet mindskes væsentligt og enheden kan blive alvorligt beskadiget.

– luk døre og luftkanaler.

Forvent en højere affugtningskapacitet forår og sommer, da luften udenfor er varmere og mere fugtig.

For at opnå en sikker og pålidelig beskyttelse mod skimmel og fugtskade bør det relative fugtighedsniveau ligge mellem 50% og 60%.

6. Vedligeholdelse

- Rengør enheden med en blød, fugtig klud. Brug ikke opløsningsmidler eller stærke rengøringsmidler, da det kan skade overfladen.

- Kølefladerne rengøres bedst med en klud og varmt vand.

7. Service

Hvis affugteren kræver service, skal du først kontakte din forhandler. Købsbevis er påkrævet for alle garantikrav.

8. Garanti

Der er 2 års produktgaranti. Bemærk venligst, at garantien kun er gyldig ved fremvisning af købskvittering.

Denne maskine overholder EF-direktiverne 76/889 + 82/499

9. Gode råd

Sommetider er det nyttigt at anvende en frostvagt eller et varmeapparat for at sikre, at temperaturen ikke falder under +10°C. Selv om M10G arbejder ned til temperaturer så lave som +5°C, vil dens kapacitet stige ved højere temperaturer, idet varm luft indeholder mere vand.

For maksimal affugtningskraft i et rum anbefales det at minimere lufttilførslen udefra, og fra tilstødende rum

Teknisk data Wood's M10G

Maksimalt arbejdsområde	40 m ²
Anbefalet arbejdsområde	2-30 m ²
Luftstrøm	120 m ³ /h
Kapacitet (ved 30°C & 80% RH)	10 liter
Strømförbrug	280 W
Lydniveau	42 dB
Temperaturinterval	+5°C to +35°C
Ventilatorhastigheder	1
Dimensioner, L x W x H	276x185x480 mm
Vægt	9,5 kg
Kølemedie	R290

Fejlfinding

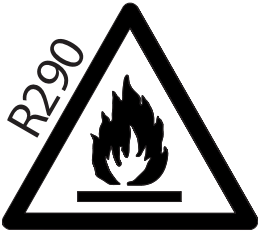
Hvis du har problemer med din affugter, se under fejlfinding.

Hvis intet af nedenstående virker, skal du kontakte din forhandler for servicering af din affugter.

Problem	Årsag	Løsning
Affugteren virker ikke	Er strømforsyningen tilsluttet og tændt?	Tilslut enheden til en stikkontakt (med jord)
	Er rumtemperaturen over 35°C eller under 5°C?	Hæv eller sænk rumtemperaturen
Enheden starter ikke	Er filtret blokeret?	Rens filtret
	Er luftindtaget eller luftudtaget tilstoppet?	Fjern blokeringen
Intet luftindtag	Er filtret blokeret?	Rens filtret
Unormal støj	Står enheden på et hældende underlag?	Flyt enheden til et plant og solidt underlag
	Er filtret blokeret?	Rens filtret
Fejlkode E1	Defekt fugtighedssensor	Kontakt venligst din forhandler



Endt levetid på elektriske produkter (gjelder i EU med innsamlingsssystem på plass): Ifølge EU-direktiv 2002/96/EC må dette produktet ikke kastes sammen med vanlig husholdningsavfall. Når dette avfallsdunksymbolet med kryss over vises, enten på et produkt eller produktets brukerhåndbok, betyr det at produktet skal gjenvinnes separat ved endt levetid. Dette vil redusere innvirkningen på miljøet når det gjelder kjemiske materialer, slik som kuldemedium, osv. Dette oppmuntrer også gjenvinning av alle deler som kan brukes på nytt. Som en forbruker, ved endt levetid på dette produktet, skal du ta kontakt med din lokale detaljist eller lokal myndighet (kommunen, osv.) for å få detaljer om hvordan dette produktet skal gjenvinnes.



Brennbart materiale. Denne enheten inneholder R290/ propan, et brannfarlig kuldemedium. Du finner sikkerhetsinformasjon i denne bruksanvisningen. Kjølégass R290 overholder europeiske miljødirektiver. Må ikke punkteres eller brennes. Vedlikehold og reparasjoner som krever hjelp fra annet kvalifisert personell, må gjennomføres under oppsyn av spesialister i bruk av lettantennelige kjølemedier.



Du finner sikkerhetsinformasjon i denne bruksanvisningen



Les den tekniske håndboken



Les bruksanvisningen.

SIKKERHETSINFORMASJON

Les de vedlagte anvisningene nøye før utstyret installeres og brukes. Produsenten kan ikke holdes ansvarlig hvis feil installasjon og bruk forårsaker personskader eller materielle skader. Oppbevar alltid bruksanvisningen sammen med enheten til

fremtidig bruk.

Sikkerheten til barn og sårbare mennesker

ADVARSEL

Fare for personskade eller varig uførhet.

Denne enheten kan brukes av barn fra 8 år og oppover, samt av personer med nedsatte fysiske, sensoriske eller mentale evner eller manglende erfaring og kunnskap, så fremt de har tilsyn eller har fått innføring i hvordan enheten brukes på en trygg og sikker måte, samt at de er klar over de farer bruken medfører. Ikke la barn leke med enheten.

Barn under 3 år bør holdes unna enheten hvis de ikke har konstant tilsyn. Oppbevar alt emballasjemateriale utilgjengelig for barn. Rengjøring og vedlikehold skal ikke utføres av barn uten tilsyn.

Generelt om sikkerhet

Denne enheten skal brukes i private hjem og liknende, som baderom, pauserom i butikker, kontorer og andre arbeidsmiljøer. Merkeplaten er plassert på baksiden av avfukteren. Sørg for at ventilasjonsåpningene ikke er tildekket.

Ikke bruk mekanisk utstyr eller annet for å fremskynde avrimingsprosessen. Følg fabrikkantens anvisninger. Enheten skal ikke oppbevares i et rom der det finnes kontinuerlige antennelseskilder (for eksempel åpen ild, gassdrevet utstyr i drift eller en elektrisk varmeovn). Må ikke punkteres eller brennes. Vær oppmerksom på at kuldemedier kan være helt uten lukt. Ikke rengjør enheten med vandusj og damp. Rengjør enheten med en fuktet myk klut. Bruk kun nøytrale rengjøringsmidler. Ikke bruk skurende produkter, skuresvamp, løsemidler eller metallgjenstander. Hvis strømledningen skades, må den skiftes ut av fabrikanten, dennes autoriserte servicesenter eller tilsvarende kvalifiserte personer for å unngå fare.

SIKKERHETSANVISNINGER

Installering

ADVARSEL

Denne enheten må kun installeres av en kvalifisert person.

Fjern all emballasje. Ikke installer eller bruk en skadet enhet. Enheten skal installeres, brukes og oppbevares i et rom med en gulvflate større enn 4 m². Følg installeringsanvisningen som følger med enheten.

Vær alltid forsiktig når du flytter enheten, den er tung!
Bruk alltid vernehansker.

Påse at luften kan sirkulere rundt enheten.

Vent i minst 4 timer før enheten tilkoples strømnettet. Dette er for at oljen skal kunne renne tilbake i kompressoren.

Ikke installer enheten nær radiatorer eller andre varmekilder.

Ikke installer enheten slik at den blir stående i direkte sollys. Denne enheten er bare til innendørs bruk. Påse at enheten plasseres på et stabil og flatt underlag. Hvis overflaten ikke er stabil, kan enheten bli ustabil og forårsake store vibrasjoner. Den kan også slippe ut vann.

Strømtilkopling

ADVARSEL

Brann- og støffare. Enheten må koples til en jordet stikkontakt. Påse at den elektriske informasjonen på merkeplaten samsvarer med strømtilførselen. Hvis ikke må du kontakte elektriker. Bruk alltid korrekt montert stikkontakt.

Ikke bruk grenuttak og skjøteledninger. Pass på at de elektriske komponentene (f.eks. støpsel, strømledning) ikke skades. Kontakt autorisert servicesenter eller elektriker for å få skiftet de elektriske komponentene. Strømledningen må ligge lavere enn støpselet. Ikke plugg støpselet i stikkontakten før installeringen er fullført. Påse at støpselet er tilgjengelig når installeringen er fullført. Ikke dra i ledningen for å trekke ut støpselet. Hold alltid i støpselet.

Bruk

ADVARSEL

Fare for personskade, brannskade, elektrisk støt eller brann. Enhetens spesifikasjoner må ikke endres.

Pass på at kjølekretsen ikke blir skadd. Den inneholder propan (R290), en naturgass med god miljøkompatibilitet. Denne gassen er antenbar.

Hvis det oppstår skade på kjølekretsen, må man påse at det ikke er flammer og antennelseskilder i rommet. Luft ut rommet. Ikke legg antennebare produkter eller gjenstander våte av antennebare produkter nær eller på enheten.

Avfallshåndtering

ADVARSEL

Fare for personskade. Kople enheten fra strømnettet. Klipp av strømledningen og kast den. Denne enhetens kjølemediumkrets er miljøvennlig. Ta kontakt med den lokale gjenvinningsstasjonen for å få informasjon om korrekt kassering av enheten. Ikke skad den delen av kjøleenheten som er nærmest varmeveksleren. Pass alltid på at apparatet er rent. Enheten må ikke tildekkes.

Takk

Takk for at du valgte en avfukter fra Woods. Du er en av mer enn 400 000 personer som har valgt en avfukter fra Woods for å forebygge skader som følge av overdreven fuktighet og mugg. Woods ble startet i Canada i 1950 og har mer enn 60 års erfaring med utvikling og produksjon av avfuktere. Når du velger en avfukter fra Woods, får du en enhet av god kvalitet og med høy kapasitet som vil trekke ut flest liter per forbrukte kWh.

Slik fungerer luftfukteren din

Woods M10G er en kompressoravfukter. Når avfukteren trekker inn luften ved hjelp av viften, går luften over de kompressorkjølte kobberspolene. Spolene kjøler ned vanddampen og skiller ut vannet fra luften.

Vannet drypper ned fra spolene og dreneres bort med vannslangen. Den tørre luften føres tilbake til rommet. Når avfukteren kondenserer vanddampen, frigjøres det varmeenergi. Derfor vil kompressoravfuktere slippe ut tørr luft som er ekstra velegnet ved tørking av klær, treverk og lignende.

En kompressoravfukter er den mest energieffektive måten å fjerne fuktighet og vond lukt på. Hold luftfuktigheten mellom 50 og 60 % for å oppnå et trygt og sunt innemiljø.

1. Installering og plassering

Woods avfuktere er enkle å flytte, men husk følgende.

- Avfukteren skal ikke plasseres nær stråleovner eller andre varmekilder eller utsettes for direkte sollys, da dette vil redusere effekten.
- Ha en avstand på minst 25 cm fra vegger og andre hindringer for å maksimere luftstrømmen.
- For optimal ytelse bør avfukteren plasseres midt i rommet.
- Sørg for at luftstrømmen fra inntaket og utløpet ikke er blokkert.

Installasjon:

1. Plasser avfukteren på flatt og solid underlag, fortrinnsvis midt i rommet.
2. Lukk alle vinduer og all ventilasjon til rommet. Ellers vil fuktig luft fra utsiden fortsette å strømme inn i rommet.
3. Koble avfukteren til en jordet stikk-kontakt.

Hvis avfukteren transporteres liggende, kan det renne olje ut fra kompressoren og inn i det lukkede rørsystemet. I slike tilfeller må du la avfukteren stå i noen timer før den brukes. Det er veldig viktig at oljen renner tilbake inn i kompressoren, ellers kan avfukteren bli skadet.

2. Bruke M10G

Hygrostatstyrt

Enheten kjører bare når luftfuktigheten overstiger den innstilte verdien.

Automatisk omstart

Ved strømbrytning vil enheten gjenoppta de siste innstillingene når strømmen kommer tilbake.

Automatisk avriming

Enheten avrimmes automatisk ved behov og gjenopptar arbeidet når avrimingen er gjennomført.

Ved avriming slås kompressoren av, og lyset for avriming lyser.

Avfukteren startes og stoppes med PÅ/AV-knappen.

Når kompressoren går, lyser kompressorlyset.

Velg ønsket luftfuktighet

Trykk på pil OPP og NED for å velge ønsket luftfuktighet mellom 30 og 90 %. Avfukteren slås av når ønsket luftfuktighet er oppnådd. Innstilt verdi vises et par sekunder i displayet. Deretter viser displayet luftfuktighetsnivået. Trykk på pil NED til displayet viser CO hvis du ønsker at avfukteren skal gå kontinuerlig. Kontinuerlig kjøring uavhengig av luftfuktigheten i rommet.

Når luftfuktigheten blir lavere enn 35 %, viser displayet LO. Når luftfuktigheten blir høyere enn 95 %, viser displayet HI.

MERK: Når ønsket luftfuktighet er oppnådd, fortsetter viften å gå i et par minutter før den slås av.

Still inn tidsur for automatisk avstenging

Trykk flere ganger på tidsurknappen for å aktivere automatisk avstenging etter mellom 1 og 24 timer. Når funksjonen er aktivert, lyser tidsurlyset. Innstilt verdi vises et par sekunder i displayet. Deretter viser displayet luftfuktighetsnivået. For å deaktivere trykker du på tidsurknappen til displayet viser 0 og lyset slukkes. Når enheten er stoppet med tidsurfunksjonen, må du trykke på strømknappen for å starte enheten igjen.

4. Drenering

Når vannbeholderen er full, vil avfukteren slås av automatisk.

Når vannbeholderen er tømt, vil enheten starte igjen automatisk.

1. Trekk avfukterens støpsel ut av stikkkontakten.
2. Tøm vannbeholderen.
3. Sett den tomme vannbeholderen tilbake og kontroller at flottøren beveger seg fritt.
4. Koble avfukteren til strømmettet.

Drenering til avløp

Koble en vannslange (10 mm) til røret på baksiden av avfukteren. Legg den andre enden i avløpet. Sørg for at vannet kan renne fritt nedover.

5. Luftfilteret

Luftfilteret sørger for at det ikke kommer støv og smuss inn i maskinen, slik at levetiden forlenges. Filteret må rengjøres regelmessig.

Rengjøring av filteret:

1. Fjern filteret.
2. Vask det med varmt vann og mild såpe. Filteret kan også støvsuges.
3. La filteret tørke, og monter det igjen

Det er svært viktig at filteret rengjøres regelmessig, slik at avfukteren ikke mister kapasitet eller blir skadet.

6. Vedlikehold

– Rengjør enheten med en myk og fuktig klut. Ikke bruk løsemidler eller sterke rengjøringsmidler, det kan skade overflaten på enheten.

– Kjølespolene bør rengjøres med en klut og varmt vann.

7. Service

Når avfukteren trenger service, må du først ta kontakt med forhandleren. Du må fremlegge kvittering ved garantikrav.

8. Garantier

2 års garanti mot produksjonsfeil. Garantien gjelder kun ved fremvisning av kvittering. Garantien gjelder kun hvis produktet har blitt brukt i samsvar med instruksjonene og sikkerhetsanvisningene i denne bruksanvisningen. Garantien dekker ikke skader som skyldes feil bruk av produktet.

MERK: Garantien på 2 år gjelder ikke ved kommersiell bruk av enheten.

Maskinen overholder EEC-direktive-
ne 76/889 + 82/499

Enheten skal brukes i temperaturer mellom +5 og +35 °C.

Hvis temperaturen er utenfor dette området, er det ikke sikkert at enheten fungerer som den skal.

9. Tips

Av og til er det nyttig å bruke frostvakt eller en vifteovn for å sikre at temperaturen ikke blir lavere enn +10 °C. Selv om M10G fungerer ned til +5 °C, vil kapasiteten øke når det er varmere, siden varm luft inneholder mer vann.

For maksimal avfuktningseffekt i et rom, anbefales det at det kommer minimalt med luft utenfra og fra tilstøtende rom. Lukk dører og ventiler.

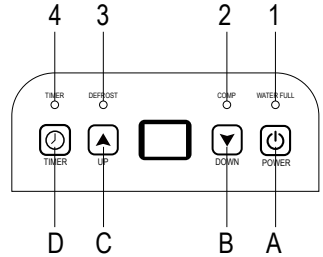
Forvent høyere avfuktning om våren/sommeren, siden uteluften er varmere og fuktigere.

For å få trygg og pålitelig beskyttelse mot mugg og fuktskader bør luftfuktigheten være mellom 50 og 60 %.

DELER

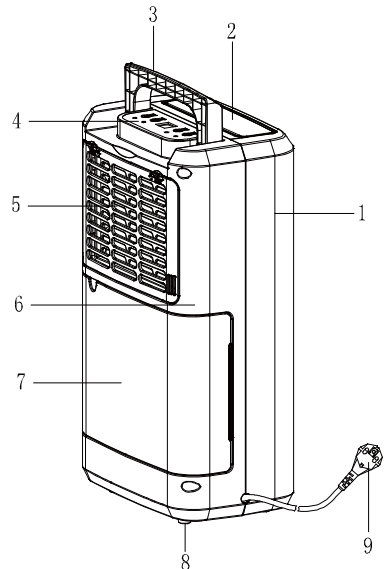
Komponent

1. Frontdeksel
2. Utløp
3. Håndtak
4. Kontrollpanel
5. Filterboks
6. Bakdeksel
7. Tank
8. Gummiføtter
9. Strømledning



BRUKSANVISNING LED-INDIKATORER

- | | |
|---------------------------|-------|
| 1. FULL VANN-BEHOLDER-LED | Rød |
| 2. COMP-LED | Blå |
| 3. AVRIMING | Blå |
| 4. TIDSUR-LED | Grønn |







Visning av fuktighetsnivå og tidsur med to siffer



Indikatoren har tre funksjoner:

1. Når du stiller inn luftfuktigheten, vises luftfuktigheten du har stilt inn.
2. Når du programmerer tidsuret for når enheten skal slå seg på og av, vises timene.
3. Når luftfuktigheten blir lavere enn 35 %, viser den «LO»
4. Når luftfuktigheten er høyere enn 95 %, viser den «HI»



Knapper


- | | |
|---------------------|---|
| A. Start-stopp |  |
| B. Redusere verdien |  |
| C. Øke verdien |  |
| D. Tidsur |  |

BRUKSANVISNING

1. Koble til enheten.

2. Trykk en gang på knappen  for å starte enheten. Trykk en gang til for å stoppe enheten.

3. Trykk på  eller  for å stille inn ønsket luftfuktighet i rommet, mellom 30 og 90 % med intervaller på 5 %. Etter å ha vært i gang en periode og når luftfuktigheten blir 2 % lavere enn innstilt luftfuktighet, vil kompressoren stoppe. Viften stopper 3 minutter senere. Når luftfuktigheten er lik eller 3 % høyere enn valgt luftfuktighet, starter kompressoren igjen etter en beskyttelsesperiode på 3 minutter.

4. Trykk på  for å stille inn tidsuret:
Trykk på knappen for å stille inn tiden for når enheten skal slå seg på og av. Hvis du vil avbryte programmeringen, trykker du på knappen til tiden blir 00. Trykker du igjen, veksler du fra 00 til 01, 02 ... 23, 24. Dette er tiden frem til enheten slås av. Programmert tid avbrytes når du velger manuell drift. Programmert tid forblir uendret hvis maskinen stopper på grunn av full vannbeholder eller avriming. Når luftfuktigheten settes til "CO", vil kompressoren gå kontinuerlig.

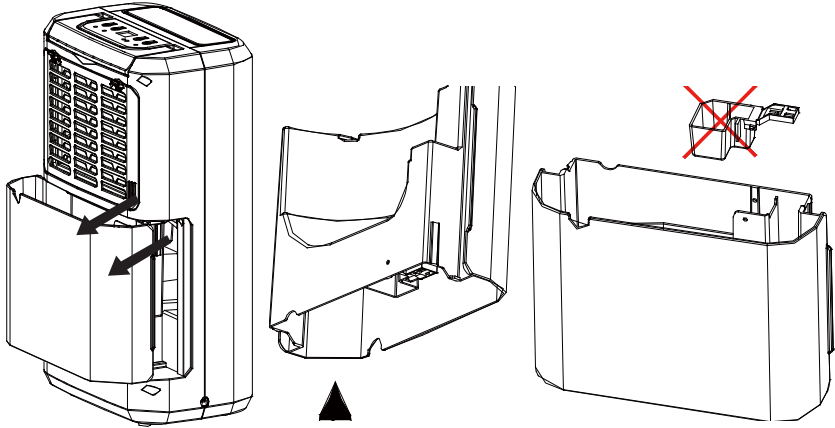
Merk: Når luftfuktigheten når det du har stilt inn før, stopper både kompressor og viftemotor først i 60 minutter, og deretter vil viftemotoren fungere i 3 minutter for å oppdage fuktigheten, hvis høyere enn satt, vil både kompressor og motor fungere igjen. Hvis den er lavere enn innstilt, vil både kompressoren og motoren slås av i 60 minutter, og deretter fungerer motoren igjen i 3 minutter;

TØMME ENHETEN FOR VANN

Når vannbeholderen er full, vil et lys varsle om det. Enheten stopper automatisk, og piper 15 ganger for å varsle brukeren om at vannbeholderen må tømmes.

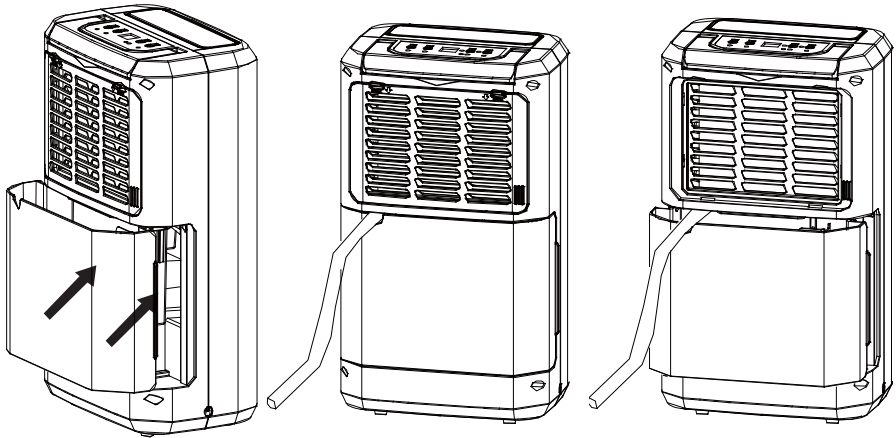
Tømme vannbeholderen

1. Trykk lett på sidene av tanken med begge hender, og trekk tanken forsiktig ut.
2. Tøm vannbeholderen



MERK!

1. Ikke fjern flottøren fra vannbeholderen. Sensoren vil ikke registrere vann-nivået uten flottøren, og det kan lekke vann fra beholderen.
2. Hvis vannbeholderen er skitten, kan den vaskes i kaldt eller lunkent vann. Ikke bruk vaskemiddel, skuresvamp, kjemisk behandlet støvklut, bensin, benzen, tynner eller andre løsemidler. Beholderen kan bli ripete og skadet, noe som kan føre til vannlekkasje
3. Når beholderen monteres igjen, trykker du den på plass med begge hender. Hvis tanken ikke plasseres riktig, vil «FULL BEHOLDER»-sensoren aktiveres, og avfukteren vil ikke starte.



Kontinuerlig drenering

Enheden har en port for kontinuerlig drenering. Monter en plastslange (med 10 mm innvendig diameter) i drenerings-hullet (på mellomplaten). Strekk deg rundt vannbeholderen, monter slangen og legg den dit du ønsker. Vannet fra beholderen kan dreneres kontinuerlig ved hjelp av utløpet på enheten.

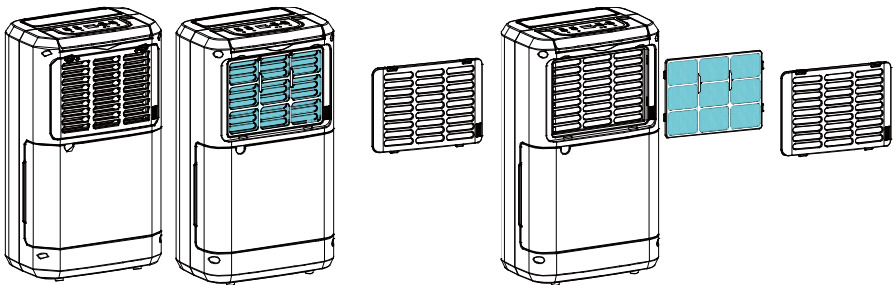
VEDLIKEHOLD

Rengjøre avfukteren

Rengjøre enheten: Tørk av den med en myk og fuktig klut.

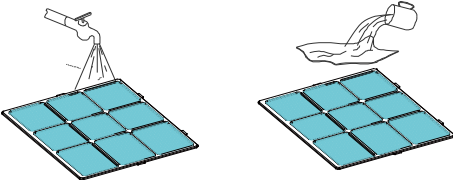
Rengjøre luftfilteret

1. Åpne innløpsdekelet først, og fjern luftfilteret.



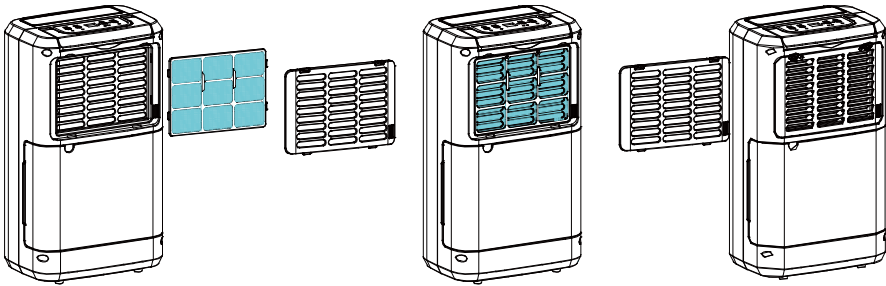
2. Rengjør luftfilteret

Før en støvsuger lett over luftfilterets overflate for å fjerne smuss. Hvis luftfilteret er veldig skittent, kan det vaskes med varmt vann og mildt rengjøringsmiddel. La det tørke helt.



3. Fest luftfilteret

Før filteret på plass, og monter dekselet igjen.



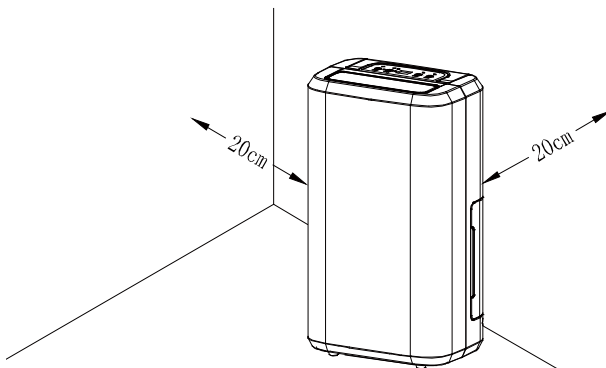
Oppbevare luftfukteren

Når enheten ikke skal brukes på en stund, skal den oppbevares på følgende måte:

1. Tøm vannbeholderen helt.
2. Snurr sammen strømledningen, og legg den i vannbeholderen.
3. Rengjør luftfilteret
4. Plasser enheten på et kjølig og tørt sted.

Klaring

Sørg for minimumsklaring rundt avfukteren når enheten er i drift, se tegningen til venstre.




FEILSØKING

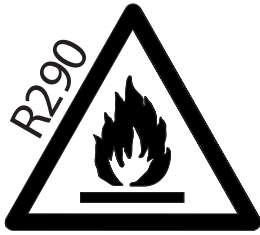
Hvis noe av dette oppstår, kan du kontrollere følgende før du kontakter kundeservice.

Problem	Mulig årsak	Løsning
Enheten starter ikke	Er strømledningen koblet til?	Koble strømledningen til stikkkontakten.
	Blinker indikatoren for full beholder? (Beholderen er full eller montert feil.)	Tøm vannbeholderen, og monter den igjen.
	Er temperaturen i rommet høyere enn 35 grader eller lavere enn 5 grader?	Beskyttelsesenheten er aktivert, og enheten kan ikke startes.
Avfukter-funksjonen fungerer ikke	Er luftfilteret tett?	Rengjør luftfilteret, se «Rengjøre avfukteren».
	Er innløpet eller utløpet tildekket?	Fjern hindringen fra innløpet eller utløpet.
Det slippes ikke ut luft	Er luftfilteret tett?	Rengjør luftfilteret, se «Rengjøre avfukteren».
Enheten bråker under bruk	Står enheten skrått eller ustøtt?	Flytt enheten til et stabilt sted.
	Er luftfilteret tett?	Rengjør luftfilteret, se «Rengjøre avfukteren».
Feilkoden «E1»	Feil i avrimingssensor.	Bytt avrimingssensoren.


Teknisk informasjon Woods M10G

Maks. arbeidsområde	40 m ²
Anbefalt romstørrelse	2–30 m ²
Luftstrøm	120 m ³ /t
Kapasitet (ved 30 °C og 80 % RH)	10 liter
Effekt	280 W
Beholdervolum	2 liter
Støynivå	42 dB
Arbeidstemperatur	+5 til +35 °C
Viftehastigheter	1
Mål, L x B x H	276 x 185 x 480 mm
Vekt	9,5 kg
Kuldemedium	R290
IP-kode	IP21


 Denne merkingen indikerer at dette produktet ikke skal fjernes sammen med annet husholdningsavfall i hele EU. For å unngå mulig skader på miljøet og helse som følge av ukontrollert avfallshåndtering skal apparatet resirkulere på ansvarlig måte for å fremme bærekraftig gjenbruk av ressursene. For å returnere enheten kan du bruke retur- og innsamlingsystemet eller ta kontakt med forhandleren der produktet ble kjøpt. De kan resirkulere dette produktet på en miljøvennlig måte.



Entzündbares Material.
Dieses Gerät enthält das
brennbare Kältemittel
Propan (R290).

 Hinweise im
Bedienerhandbuch


 Lesen Sie das
technische
Handbuch

 Lesen Sie das
Bedienerhandbuch

SICHERHEITSHINWEISE 

Lesen Sie vor der
Installation und
Nutzung des Geräts die
Bedienungsanleitung.
Bei Verletzungen oder
Schäden aufgrund
einer unsachgemäßen
Installation übernimmt der
Hersteller keine Haftung.
Bewahren Sie die Anleitung
zusammen mit dem Gerät
auf, damit Sie jederzeit
darin nachschlagen
können.

Sicherheit von Kindern und schutzbedürftigen Personen

WARNUNG 
Gefahr von Verletzungen
und Dauerinvalidität.
Dieses Gerät kann

von Kindern ab 8
Jahren und Personen
mit eingeschränkten
körperlichen, sensorischen
oder geistigen Fähigkeiten
oder mangelnden
Erfahrungen und
Kenntnissen benutzt
werden, wenn sie in der
sicheren Gerätenutzung
unterwiesen wurden und
die damit verbundenen
Gefahren verstehen bzw.
wenn eine entsprechende
Aufsicht erfolgt.
Kinder nicht mit dem Gerät
spielen lassen!

Kinder unter 3 Jahren sind
vom Gerät fernzuhalten,
sofern sie nicht ständig
beaufsichtigt werden.

Sämtliches
Verpackungsmaterial von
Kindern fernhalten.
Reinigung und Wartung
dürfen nicht von
unbeaufsichtigten Kindern
durchgeführt werden.

Allgemeine Sicherheitshinweise

Dieses Gerät ist für den
Einsatz in Wohn- und
Arbeitsbereichen bestimmt
(Keller, Wäsche- und
Trocknungsräume,
Personalküchen u.ä.). Das
Typenschild befindet sich
hinter dem Wassertank.
Lüftungsöffnungen nicht
überdecken.


Als Abtauhilfen dürfen

ausschließlich die vom
Hersteller empfohlenen
Vorrichtungen verwendet
werden.

Gerät nicht in Räumen
mit kontinuierlich
arbeitenden Zündquellen
oder offenen Flammen
lagern (Betriebsgasgeräte,
elektrische
Betriebsheizungen u.ä.).
Gerät nicht durchstechen
oder verbrennen.
Kältemittel können
geruchlos sein. Gerät nicht
mit Wasserstrahl oder
Dampf reinigen. Gerät mit
einem feuchten, weichen
Tuch reinigen. Nur neutrale
Reinigungsmittel benutzen.
Keine Scheuermittel,
Lösungsmittel oder
Metallgegenstände
verwenden.

Bei einem Schaden
am Netzkabel muss
der Austausch aus
Sicherheitsgründen
durch den Hersteller,
ein Autorisiertes
Servicezentrum oder
Fachpersonal erfolgen.

SICHERHEITSHINWEISE Installation WARNUNG

Das Gerät darf  von
einer entsprechend
qualifizierten Person
angeschlossen werden.
Verpackung restlos vom
Gerät entfernen.
Ein beschädigtes Gerät
darf nicht angeschlossen

werden. Lagerung, Installation und Betrieb des Geräts sind nur in Räumen mit einer Mindestfläche von 4 m² zulässig. Die mitgelieferte Installationsanleitung befolgen.
Das Gerät ist schwer – Vorsicht beim Transport und beim Umstellen. Immer Schutzhandschuhe tragen.


Darauf achten, dass die Luft ungehindert um das Gerät zirkulieren kann. Vor dem Netzanschluss mindestens 4 Stunden mit aufrecht stehendem Gerät warten. In dieser Zeit kann das Öl zurück in den Kompressor fließen. Gerät nicht in der Nähe von Radiatoren und anderen Wärmequellen betreiben. Gerät nicht an einem Ort mit direkter Sonneneinstrahlung aufstellen. Elektrischer Anschluss

WARNUNG

Brand- und Stromschlaggefahr. Das Gerät muss an eine geerdete Steckdose angeschlossen werden. Darauf achten, dass die elektrischen Angaben auf dem Typenschild mit dem Netzanschluss übereinstimmen. Sollte das nicht der Fall sein, wenden Sie sich an eine

Elektrofachkraft. Der Anschluss muss an eine sachgerecht installierte, VDE-zugelassene Steckdose erfolgen. Multistecker-Adapter und Verlängerungskabel sind unzulässig. Darauf achten, dass die elektrischen Komponenten (z.B. Netzstecker, Netzkabel) nicht beschädigt werden. Falls ein elektrisches Bauteil ausgetauscht werden muss, ein Autorisiertes Servicezentrum oder einen Elektriker beauftragen. Das Netzkabel muss durchgehend unterhalb der Steckdose verlegt werden. Das Gerät erst nach der Aufstellung am endgültigen Betriebsort an die Steckdose anschließen. Der Netzstecker muss jederzeit zugänglich sein. Zum Trennen der Stromversorgung nicht am Netzkabel ziehen. Immer direkt am Netzstecker ziehen.

Betrieb


WARNUNG 
Verletzungs-, Verbrennungs-, Stromschlag- und Brandgefahr!
Gerät nur innerhalb

der angegebenen Spezifikationen betreiben und keine Veränderungen am Gerät vornehmen.

Darauf achten, dass der Kältemittelkreislauf nicht beschädigt wird. Der Kreislauf enthält das umweltverträgliche Erdgas Propan (R290). Es ist brennbar.

Sollte der Kältemittelkreislauf beschädigt werden, sofort sicherstellen, dass es im Raum weder offenes Feuer noch Zündquellen gibt. Den Raum lüften. Keine brennbaren Produkte oder Gegenstände, die mit brennbaren Produkten benetzt sind, auf das Gerät oder in dessen Nähe stellen.

Entsorgung

WARNUNG 
Verletzungsgefahr!
Netzstecker ziehen. Netzkabel abschneiden und entsorgen. Der Kältemittelkreislauf des Geräts ist ozonverträglich. Die Vorgehensweise bei der umweltverträglichen Entsorgung des Geräts ist bei der zuständigen Behörde nachzufragen. Der Teil der Kühleinheit unmittelbar neben dem Wärmetauscher darf nicht beschädigt werden.

Vielen Dank

Vielen Dank, dass Sie sich für einen Wood's Luftentfeuchter entschieden haben. Sie gehören zu den über 400'000 Personen, die mit Wood's Luftentfeuchtern aktiv Feuchtigkeit- und Schimmelschäden vorbeugen. Die in 1950 entstandene Marke Wood's, hat mittlerweile mehr als 60 Jahre Erfahrung in der Entwicklung und Produktion von Luftentfeuchtern. Mit einem Wood's Gerät haben Sie eine qualitativ hochwertige und leistungsstarke Maschine, welche am meisten Wasser (L), pro konsumierte kWh aus der Luft kondensiert.

Funktionen Ihres Luftentfeuchters

Der Wood's M10G ist ein Kompressor-Entfeuchter. Durch den leistungsstarken Ventilator, wird die Luft an den gekühlten Kupferstäben vorbeigeblasen. Dadurch wird der Wasserdampf in der Luft ausgeschieden.

Das Wasser tropft von den Kühlstäben in das Kondenswasserbecken oder wird durch den Schlauch automatisch in einen Ausguss abgeführt. Die getrocknete Luft wird in den Raum geblasen. Während der Entfeuchter den Wasserdampf kondensiert, wird Wärmeenergie freigesetzt. Deshalb generiert ein Kompressor-Entfeuchter warme und trockene Luft, was sehr vorteilhaft ist um Wäsche, Holz etc. zu trocknen.

Ein Kompressor-Entfeuchter ist die Energieeffizienteste Lösung überschüssige Feuchte und Modergeruch zu beseitigen. Halten Sie die relative Luftfeuchte zwischen 50-60% um ein optimales und gesundes Raumklima zu haben.

1. Sicherheitshinweise

Bitte lesen Sie folgende Sicherheitshinweise genau durch, bevor Sie die Maschine in Betrieb nehmen:

- Unterbrechen Sie die Stromzufuhr bevor Sie die Maschine reinigen, lagern oder den Filter wechseln.

- Dieses Gerät darf nicht von Personen (inklusive Kindern) mit eingeschränkten physischen, sensorischen oder mentalen Fähigkeiten oder mangelnder Erfahrung oder Wissen bedient werden. Ausser ihnen wurde durch eine Person, welche für deren Sicherheit verantwortlich ist, die Erlaubnis und Instruktionen erteilt.
- Kinder sollten beaufsichtigt werden, um sicherzustellen, dass sie nicht mit dem Gerät spielen.
- Die Maschine muss gem. den nationalen Verdrahtungsvorschriften angeschlossen werden.
- Ändern oder reparieren Sie das Gerät oder das Stromkabel niemals selbstständig.
- Bei defektem Stromkabel muss entweder der Hersteller, Servicepartner oder eine ähnlich qualifizierte Person dies ersetzen um Unfälle zu verhindern.
- Halten Sie die Maschine auf sicherer Distanz von Wasserquellen.
- Weil dieses Gerät eine Wärmequelle ist, darf es keinesfalls zugedeckt werden.
- Halten Sie es zu jeder Zeit auf sicherer Distanz zu leichtentzündlichen Materialien.
- Greifen Sie auf keinen Fall mit dem Fingern oder andern Objekten in den Luftein- oder Auslass.
- Steigen Sie nicht auf die Maschine.
- Entfernen Sie das Kondenswasserbecken immer gemäss Instruktion.
- Der Kompressor im Gerät enthält Freon-freies Kühlmittel. Wenn das Kühlsystem ein Leck aufweist, sollten Sie das Gerät nicht mehr gebrauchen und umgehend Ihren Händler kontaktieren.
- Verwenden Sie das Gerät niemals ohne den Luftfilter.
- Das Gerät kondensiert Wasser aus der Luft. Halten Sie darum das Gerät auf sicherer Distanz zu wasserempfindlichen Oberflächen wie Holzböden etc.

2. Platzierung und

Installation

Platzierung

Wood's Entfeuchter sind sehr transportfreundlich. Bitte beachten Sie folgendes:

- Der Entfeuchter sollte nicht in der Nähe eines Radiators oder einer anderen Wärmequellen wie z.B. Sonnenlicht etc. platziert werden. Dies könnte die Leistung beeinträchtigen.
- Halten Sie den Entfeuchter auf min. 25 cm Distanz von Wänden oder anderen Oberflächen um den Luftstrom nicht einzuschränken.
- Platzieren Sie die Maschine vorzugsweise in der Mitte des Raumes um die volle Leistung zu erzielen.
- Vergewissern Sie sich, dass der Luftstrom des Luftein- und Auslasses nicht blockiert sind.

Installation:

1. Platzieren Sie den Entfeuchter auf einem flachen und soliden Untergrund, bestenfalls in der Mitte des Raumes
2. Schliessen Sie alle Fenster und schalten Sie eine allfällige Raumbelüftung aus. Ansonsten strömt ständig feuchte Luft von aussen in den Raum.
3. Schliessen Sie den Entfeuchter an eine geerdete Steckdose an.

WICHTIG: Wenn der Entfeuchter liegend transportiert wurde, ist möglicherweise Kompressoröl in den Kühlkreislauf eingetreten. Lassen Sie das Gerät nach jedem Transport sicherheitshalber mindestens 8 Stunden aufrecht stehen, bevor Sie den Entfeuchter erneut in Betrieb nehmen. Ansonsten besteht die Gefahr eines Totalschadens im Kühlsystem und die Garantie entfällt.

3. Gebrauch des

Wood's M10G

Hygrostatisch gesteuert:

Der Entfeuchter läuft nur, wenn die rel. Feuchte den von Ihnen eingestellte Wert überschreitet

Automatischer Neustart:

Bei Stromausfällen schaltet die Maschine bei wiederkehrendem Strom automatisch neu. Die von Ihnen eingestellten Daten bleiben gespeichert.

Automatische Enteisung (defrost):

Wenn der Entfeuchtungsmodus läuft, enteist die Maschine bei Bedarf automatisch. Während dieses Prozesses leuchtet das Abtausymbol und alle Knöpfe sind blockiert. Die Entfeuchtung startet nach Beendigung dieses Prozesses erneut.

Wählen Sie die gewünschte

Zielfeuchte:

Drücken Sie mittels der UP und DOWN Pfeile die gewünschte Zielfeuchte zwischen 30 und 90 Prozent %. Der Entfeuchter schaltet bei Erreichung der ausgewählten Feuchte automatisch aus. Die Zielfeuchte wird für ein paar Sekunden angezeigt. Das Display schaltet dann wieder zur aktuellen Raumfeuchte-Anzeige. Drücken Sie den „DOWN“ Knopf bis das Display CO anzeigt, um den Entfeuchter auf Dauerlauf zu stellen.

Ist die aktuelle Raumfeuchte unter 35%, zeigt das Display „LO“ an. Bei einer Luftfeuchte über 95% zeigt das Display „HI“ an.

WICHTIG: Wenn die gewünschte Zielfeuchte erreicht ist, arbeitet der Ventilator noch ein paar Minuten weiter, bevor er komplett ausschaltet. Dies dient der optimalen Detektion von Restfeuchte im Raum.

Timer für automatische

Abschaltung:

Drücken Sie den „Timer“ Knopf um die automatische Abschaltuhr einzuschalten (1-24Stunden). Bei Aktivierung leuchtet das Timer-Licht. Die gewählte Restzeit wird für ein paar Sekunden angezeigt, bevor die Anzeige dann wieder auf die aktuelle Raumfeuchte wechselt. Drücken Sie den „Timer“ Knopf bis zur Zahl 0 um den Timer zu deaktivieren. Wenn

der Luftentfeuchter durch den Timer abgeschaltet wurde, müssen Sie den Start-Knopf drücken, um die Maschine erneut zu starten

4. Wasserdrainage

Wenn das Wasserbecken voll ist, schaltet der Entfeuchter automatisch aus um ein Überlaufen zu verhindern. Sobald das Wasserbecken geleert wurde, startet die Maschine neu:

- Trennen Sie den Entfeuchter von der Stromquelle
- Leeren Sie das Wasserbecken in einen Ausguss
- Führen Sie das Wasserbecken wieder in den Entfeuchter ein und vergewissern Sie sich, dass der Überlaufschutz Kontakt hat
- Verbinden Sie den Entfeuchter erneut mit der Stromquelle

Direkte Wasserdrainage:

Verbinden Sie einen 10mm (Innendurchmesser) Wasserschlauch mit dem Wasserhähnen und führen Sie das andere Ende in einen Ausguss. Vergewissern Sie sich, dass das Wasser abwärts fließen kann.

5. Der Luftfilter

Der Luftfilter verhindert, dass Dreck und grober Staub in den Entfeuchter eintritt und verlängert die Lebenserwartung Ihres Entfeuchters deutlich.

WICHTIG: Reinigen Sie den Filter regelmässig!

Filterreinigung:

1. Entfernen Sie den Filter
2. Waschen Sie den Filter mit warmem und leicht seifenhaltigem Wasser, andernfalls kann der Filter auch mit dem Staubsauger abgesaugt werden
3. Lassen Sie den Filter trocknen und setzen Sie ihn wieder in die Maschine ein.

Reinigen Sie den Filter unbedingt regelmässig, andernfalls verliert die Maschine an Leistung oder kann ernsthaft Schaden nehmen.

6. Unterhalt

Reinigen Sie den Luftentfeuchter mit einem weichen feuchten Tuch. Verwenden Sie keine Seifen oder starke Reiniger, dies könnte die Oberfläche der Maschine angreifen

7. Service

Wenn Ihr Wood's Luftentfeuchter einen Service benötigt, kontaktieren Sie bitte zuerst Ihren lokalen Händler. Kaufbelege sind bei Garantiefällen unweigerlich.

8. Garantie

Zwei Jahre Produktgarantie, bitte beachten Sie, dass das Druckdatum der Kaufquittung massgebend ist. Die Maschine erfüllt die Normen: EEC 76/889 + 82/499

Das Gerät arbeitet zwischen 5 und 35°C Wenn die Umgebungstemperatur ausserhalb dieser Werte liegt, funktioniert die Maschine möglicherweise nicht optimal.

9. Hinweise

Bei tiefen Temperaturen kann es nützlich sein einen Frostwächter oder Heizlüfter zu verwenden, damit die Temperatur nicht unter 5°C fällt. Obwohl der M10G selbst bei 5°C eingesetzt werden kann, arbeitet die Maschine bei warmer Luft viel effizienter. Dies ist so, weil warme Luft mehr Wasserdampf tragen kann.

Für maximale Entfeuchtungsleistung sollte keinen Luftaustausch von draussen oder von Nebenräumen stattfinden. Sorgen Sie für ein Hermetisches Klima, schliessen Sie Türen und Fenster und schalten Sie eine allfällige Raumlüftung aus.

Im Frühling und Sommer wird eine stärkere Entfeuchtungsleistung erwartet, da die Luft wärmer und feuchter ist.

Um einen sicheren und verlässlichen Schutz vor Schimmel – und Feuchtigkeitsschäden zu erreichen, halten Sie die relative Luftfeuchte zwischen 50% und 60%.

Das Kondenswasser ist mineralstofffrei. Sie können das Kondenswasser für Ihr Bügeleisen-Dampffunktion oder Pflanzengiessen verwenden.

Technische Daten Wood`s M10G:

Maximale Arbeitsfläche	40 m ²
Empfohlene Arbeitsfläche	2-30 m ²
Luftstrom	120 m ³ /h
Kapazität (bei 30°C & 80% RH)	10 liter
Wasserbecken Füllmenge	2 Liter
Stromverbrauch	280 W
Geräuschpegel	42 dB
Arbeitstemperatur	+5°C bis +35°C
Ventilationsgeschwindigkeit	1
Abmessung L x W x H	276x185x480 mm
Gewicht	9,5 kg
Kühlmittel	R290

Fehlerbehebung

Falls Sie Probleme mit Ihrem Entfeuchter haben, finden Sie folgend eine Liste zur Fehlerbehebung. Falls sich Ihr Anliegen dadurch nicht lösen lässt, kontaktieren Sie Ihren lokalen Wood`s Händler um einen Service durchzuführen

Problem	Grund	Lösung
Der Entfeuchter schaltet nicht ein	Ist die Maschine am Strom angeschlossen?	Verbinden Sie die Maschine mit dem Stromnetz
	Ist die Raumtemperatur über 35°C oder unter 5°C?	Erhöhen oder senken Sie die Raumtemperatur
Die Maschine startet nicht	Ist der Filter blockiert / stark verschmutzt?	Reinigen Sie den Filter
	Ist der Luftein- oder Auslass blockiert?	Beheben Sie die Blockade
Kein Lufteinlass	Ist der Filter blockiert / stark verschmutzt?	Reinigen Sie den Filter
Abnormaler Lärmpegel	Ist die Maschine geneigt / Schräglage?	Schieben Sie die Maschine an einen flachen Untergrund
	Ist der Filter blockiert?	Reinigen Sie den Filter
Fehlermeldung E1	Feuchtesensor defekt	Kontaktieren Sie Ihren Händler



Entsorgung von Elektro-Altgeräten (gilt in Europäischer Union bei Vorhandensein eines Rücknahmesystems): Laut EU-Richtlinie 2002/96/EG darf dieses Gerät nicht mit normalem Siedlungsabfall entsorgt werden. Das Symbol der durchgestrichenen Abfalltonne am Produkt bzw. in der Bedienungsanleitung weist darauf hin, dass das Produkt getrennt vom normalen Abfall zu entsorgen ist, um zu einer geringeren Umweltbelastung durch Chemikalien wie Kältemittel usw. beizutragen. Es dient auch dem Recycling aller wiederverwendbaren Teile. Sie müssen sich als Verbraucher an Ihren Händler oder örtliche Behörden (Kommunalverwaltung, Bürgermeister usw.) wenden, um Einzelheiten zu Entsorgung/Recycling Ihres Altgeräts zu erhalten.



Matériau inflammable. Cet appareil contient du R290/ Propane, un réfrigérant inflammable.



Consulter le manuel de l'opérateur.



Lire le manuel technique



Lire le manuel de l'opérateur.

INFORMATIONS DE SÉCURITÉ

Avant l'installation et l'utilisation de l'appareil, lire attentivement les instructions fournies. Le fabricant n'est pas responsable en cas de blessures ou de dommages découlant d'une mauvaise installation et une utilisation incorrecte. Toujours conserver les instructions avec l'appareil pour s'y reporter ultérieurement.

Sécurité des enfants et des personnes vulnérables

AVERTISSEMENT

Risque de blessure ou d'invalidité permanente. Cet appareil peut être utilisé par des enfants à partir de 8 ans et des personnes ayant des capacités

physiques, sensorielles ou mentales réduites, ou un manque d'expérience et de connaissances, sous surveillance ou à condition d'avoir reçu ou des instructions concernant l'utilisation de l'appareil de manière sûre et d'avoir compris les dangers impliqués.

Ne pas laisser les enfants jouer avec l'appareil. Les enfants de moins de 3 ans doivent être tenus à l'écart, à moins d'être surveillés en permanence.

Tenir tous les emballages éloignés des enfants. Le nettoyage et l'entretien ne doivent pas être effectués par des enfants sans surveillance.

Sécurité générale

Cet appareil est destiné à être utilisé dans des applications domestiques et autres installations similaires telles que : sous-sols, vides sanitaires ; espaces de cuisine pour le personnel dans les magasins, les bureaux et autres environnements professionnels. La plaque signalétique se trouve derrière le réservoir d'eau du déshumidificateur. Maintenir les ouvertures de ventilation dégagées.

Ne pas utiliser de dispositifs mécaniques ou d'autres moyens pour accélérer le processus de dégivrage, autres que ceux recommandés par le

fabricant.

L'appareil ne doit pas être entreposé dans une pièce avec des sources inflammables fonctionnant en permanence (par exemple, des flammes nues, un appareil à gaz ou un radiateur électrique). Ne pas percer ni brûler.

Tenir compte du fait que les réfrigérants n'ont pas d'odeur. Ne pas utiliser de pulvérisation d'eau ni de vapeur pour nettoyer l'appareil. Nettoyer l'appareil à l'aide d'un chiffon doux humide. Utiliser uniquement des détergents neutres. Ne pas utiliser de produits abrasifs, de tissus de nettoyage abrasifs, de solvants ou d'objets métalliques.

Si le cordon d'alimentation est endommagé, il doit être remplacé par le fabricant, son centre de service agréé ou des personnes qualifiées du même type pour éviter tout danger.

CONSIGNES DE SÉCURITÉ

Installation

AVERTISSEMENT

Cet appareil ne doit être installé que par une personne qualifiée.

Enlever tout l'emballage. Ne pas installer ni utiliser un appareil endommagé. L'appareil doit être installé, utilisé et entreposé dans une pièce d'une surface de plancher supérieure à 4 m². Respecter les instructions

d'installation fournies avec l'appareil.

Toujours déplacer l'appareil avec précaution car il est lourd. Toujours porter des gants de sécurité.

Veiller à ce que l'air puisse circuler autour de l'appareil. Attendre au moins 4 heures avant de brancher l'appareil à l'alimentation, afin de permettre à l'huile de revenir dans le compresseur.

Ne pas installer l'appareil à proximité de radiateurs ou d'autres sources de chaleur. Ne pas installer l'appareil exposé à lumière directe du soleil. Raccordement électrique



AVERTISSEMENT

Risque d'incendie et de choc électrique. L'appareil doit être raccordé à une prise de terre. Vérifier que les informations électriques de la plaque signalétique sont en accord avec l'alimentation électrique. Si ce n'est pas le cas, contacter un électricien. Toujours utiliser une prise antichoc correctement installée. Ne pas utiliser d'adaptateurs multi-fiches ni de rallonges. Veiller à ne pas endommager les composants électriques (p. ex. fiche secteur, câble secteur). Contacter le centre de service agréé ou un électricien pour changer les composants électriques. Le câble secteur doit rester

sous le niveau de la fiche secteur. Brancher la fiche secteur à la prise secteur uniquement à la fin de l'installation. Veiller à ce qu'il soit possible d'accéder à la prise de courant après l'installation. Ne pas tirer sur le câble secteur pour débrancher l'appareil. Toujours tirer sur la prise secteur.

Utilisation

AVERTISSEMENT

Risque de blessures, de brûlures, de chocs électriques ou d'incendie. Ne pas changer la spécification de cet appareil.

Veiller à ne pas endommager le circuit de réfrigérant. Il contient du propane (R290), un gaz naturel ayant un niveau élevé de compatibilité environnementale. Ce gaz est inflammable.

Si le circuit de réfrigérant est endommagé, vérifier qu'il n'y a pas de flammes ni de sources d'inflammation dans la pièce. Ventiler la pièce. Ne pas placer de produits inflammables ou d'objets imbibés de produits inflammables près de l'appareil ou dessus.

Mise au rebut

AVERTISSEMENT

Risque de blessure.

Débrancher l'appareil de l'alimentation secteur. Couper le câble secteur et le mettre au rebut. Le circuit de réfrigérant de cet appareil est sans danger pour la couche d'ozone. Contacter l'autorité municipale pour savoir comment mettre correctement l'appareil au rebut. Ne pas endommager la partie de l'unité de réfrigération qui se trouve près de l'échangeur de chaleur.

REMERCIEMENTS

Merci d'avoir choisi un déshumidificateur de la marque Wood's. Vous êtes plus de 300 000 personnes à avoir choisi un déshumidificateur Wood's afin de lutter contre l'humidité. Implanté au Canada depuis 1950, Wood's a plus de 60 ans d'expérience dans le développement et la fabrication de déshumidificateurs. Lorsque vous choisissez un déshumidificateur Wood's, vous disposez d'un produit de qualité, performant et avec un meilleur rapport entre le nombre de litre d'eau récupéré et l'énergie consommée en kWh.

Wood's M10G

Le déshumidificateur Wood's M10G est un appareil avec compresseur qui fonctionne par condensation. L'air est aspiré par l'arrière de l'appareil grâce à un ventilateur. Il passe à travers des serpentins en cuivre refroidis par le compresseur et il condense c'est-à-dire que l'eau présente dans l'air sous forme de gaz se transforme en eau puis elle est récupérée dans le bac de l'appareil.

Le M10G est un appareil idéal pour les salles de bains, les petites pièces humides et aussi pour le séchage du linge, les buanderies etc.

Un déshumidificateur à compresseur est le système le plus efficace pour enlever l'excès d'humidité et les mauvaises odeurs. Maintenir un taux d'humidité entre 50 et 60% permet de se maintenir en bonne santé dans un environnement intérieur sain. Le ventilateur évacue l'air plus sec à la sortie de l'appareil. Il continue d'aspirer l'air humide extérieur et le fait circuler dans l'appareil.

Pour lutter efficacement contre l'humidité, il est recommandé de garder un taux d'humidité relatif entre 50% et 60%.

1. Consignes de sécurité

Veuillez lire les consignes de sécurité avant d'installer et d'utiliser l'appareil. Si les consignes de sécurité ne sont pas suivies cela peut être la cause de la suppression de la garantie.

- Débranchez l'appareil avant de le nettoyer, de le ranger ou de nettoyer le filtre.
- L'appareil ne doit pas être utilisé par des personnes non habilitées comme par exemple des enfants.
- L'appareil doit être installé en respectant les réglementations du pays en matière d'installation électrique.
- Si le câble d'alimentation est endommagé, il doit être remplacé par un technicien qualifié.
- Veuillez maintenir une distance minimum de sécurité par rapport à toutes les sources d'eau.
- Le déshumidificateur dégage de la chaleur. Il est très important que l'appareil ne soit pas recouvert et qu'il ne soit pas placé à proximité d'une source de chaleur, produits inflammables ou produits dangereux.
- Les enfants devraient être surveillés pour s'assurer qu'ils ne jouent pas avec l'appareil
- Ne mettez pas vos doigts ou d'autres objets à l'entrée d'air ou de sortie d'air de l'appareil.
- Ne rien poser sur la machine.
- Concernant le drainage permanent de l'eau veuillez suivre systématiquement les instructions données.
- Le déshumidificateur est équipé d'un compresseur qui fonctionne avec un gaz frigorigène R134A. En cas de fuite du gaz vous devez arrêter l'appareil et contacter votre revendeur.
- Ne pas faire fonctionner l'appareil sans son filtre à air vous risquez de l'endommager. L'appareil en fonctionnant va récupérer le l'eau. Il est important de ne pas le mettre trop prêt de matériaux fragiles et sensibles aux dommages de l'eau comme notamment des parquets en bois.

REMARQUE !

Les déshumidificateurs Wood's doivent être connecté à une prise électrique murale de 220/240V.

2. Installation et mise en place

Les déshumidificateurs Wood's sont facilement déplaçables, mais il faut prendre certaines précautions :

-Le déshumidificateur doit être transporté en position verticale et doit rester 24 h dans cette position avant d'être mis en service, notamment si il a été transporté.

- Le déshumidificateur ne doit pas être placé à côté d'un radiateur, d'une autre source de chaleur ou exposé directement en plein soleil, ce qui risquerait de diminuer ses performances.

- Gardez une distance d'au moins 25 cm entre votre mur et votre appareil pour permettre à l'air de circuler de manière optimale.

- Afin d'optimiser la performance de votre déshumidificateur, placez l'appareil au milieu de la pièce.

- Assurez-vous que l'entrée ou la sortie de l'air de l'appareil ne soit pas obstruée.

Installation:

1. Placez le déshumidificateur sur un sol plat et solide, de préférence au milieu de la pièce.
2. Fermez toutes les fenêtres et les bouches d'aération de la pièce évitant ainsi de faire entrer l'air humide venant de l'extérieur.
3. Branchez l'appareil à une prise électrique murale.

Si l'appareil vient d'être livré et que vous n'avez aucune certitude qu'il a bien été transporté verticalement, il est très important d'attendre 24 heures avant de le mettre en route de manière à laisser le gaz redescendre au niveau du compresseur ceci afin d'éviter d'endommager le compresseur.

3. Utilisation du M10G

L'hygrostat

Le déshumidificateur M10G est équipé d'un hygrostat électronique et il ne va fonctionner que lorsque le taux d'humidité ambiant est supérieur au taux d'humidité choisi. Lorsque le taux d'humidité choisi est atteint, le M10G s'arrête automatiquement.

Redémarrage automatique

Lorsque le taux d'humidité ambiant devient supérieur au taux d'humidité choisi, le M10G redémarre automatiquement.

Dégivrage automatique

L'appareil est équipé d'un système de dégivrage automatique lorsque cela est nécessaire. Il se remet à fonctionner après dégivrage complet. Lorsque l'appareil est en dégivrage le compresseur s'arrête mais le ventilateur continue de fonctionner et un voyant lumineux s'allume pour indiquer le mode dégivrage.

Appuyer sur « ON » et « OFF » pour mettre en route ou arrêter l'appareil. Lorsque le compresseur est en fonctionnement, le voyant du compresseur s'allume.

Sélectionner le taux d'humidité souhaité.

En appuyant sur les touches « UP » et « down » on peut choisir et sélectionner le taux d'humidité souhaité, compris entre 30% et 90%.

Le déshumidificateur s'arrêtera lorsque le taux d'humidité choisi sera atteint.

Cette valeur restera affichée quelques secondes sur le panneau de commande puis s'affichera le taux d'humidité constaté dans la pièce. En appuyant plusieurs fois sur « DOWN » on baisse la valeur sélectionnée jusqu'à ce que s'affiche « CO » qui indique une déshumidification en continu ce qui veut dire que l'appareil va déshumidifier sans s'arrêter (sauf dégivrage)

Lorsque le taux d'humidité ambiant descend en dessous de 35%, il apparaîtra sur l'affichage « LO » et lorsque le taux d'humidité ambiant sera supérieur à 90% « HI » s'inscrira sur l'affichage.

NOTA : Lorsque le taux d'humidité

sélectionné est atteint, le ventilateur continuera à fonctionner quelques minutes et puis il s'arrêtera.

Fonction minuterie (timer) pour arrêt automatique.

Appuyer plusieurs fois sur le bouton timer pour activer la fonction arrêt automatique entre 1 et 24 heures. En sélectionnant la minuterie le voyant timer s'allume et la valeur choisie s'affiche quelques secondes. Ensuite, le taux d'humidité ambiant s'affichera à nouveau. Pour désactiver la fonction timer il suffit d'appuyer plusieurs fois sur le bouton de sélection jusqu'à la valeur 0 et le voyant timer s'éteindra. Pour redémarrer l'appareil une fois qu'il se sera arrêté par la fonction minuterie (timer) il faudra appuyer sur le bouton « power » de l'appareil.

4. Ecoulement de l'eau

Lorsque le réservoir d'eau est plein, le déshumidificateur s'arrête automatiquement. Une fois que le réservoir a été vidé l'appareil redémarre automatiquement.

- 1/ Débrancher le déshumidificateur
- 2/ Sortir le réservoir et le vider
- 3/ Remettre le réservoir vide en s'assurant que le flotteur n'est pas bloqué et se déplace
- librement dans son logement. Si après avoir vidé le bac le témoin de bac plein reste allumé c'est que le flotteur est resté bloqué.
- 4/ Brancher à nouveau l'appareil sur une alimentation électrique.

Drainage permanent de l'eau

Pour éviter d'avoir à vider le bac il est possible de brancher un tuyau de 10 mm de diamètre au raccord de sortie de l'eau à l'arrière de l'appareil. Le tuyau sera relié à une évacuation en s'assurant que l'eau puisse s'écouler librement, par gravité, avec une pente suffisante. Au besoin il sera nécessaire de surélever l'appareil.

5. Le filtre à air

Le filtre à air permet d'éviter que la poussière et la saleté s'introduisent dans l'appareil prolongeant ainsi

la durée de vie de l'appareil. Il est

donc important que le filtre à air soit nettoyé régulièrement.

Nettoyage du filtre :

- 1/ Retirer le filtre
- 2/ Nettoyer le filtre avec de l'eau chaude et un produit détergeant doux. De temps en temps il suffira d'enlever les poussières avec un aspirateur.
- 3/ Laisser sécher le filtre et de remettre dans l'appareil.

Il est très important que le filtre soit nettoyé régulièrement car sinon il va perdre de son efficacité et même risque d'être sérieusement endommagé.

REMARQUE !

Il est très important que le filtre soit nettoyé régulièrement car sinon il va perdre de son efficacité et même risque d'être sérieusement endommagé.

6. Maintenance

L'appareil doit être nettoyé avec un chiffon doux. Ne pas utiliser de solvants ou de produits de nettoyage agressifs ce qui risquerait d'endommager la surface de l'appareil.

Un chiffon et de l'eau chaude est le moyen le plus adapté pour nettoyer les serpentins de refroidissement situés derrière le filtre à air.

7. Service

Si le déshumidificateur nécessite une intervention, il faut tout d'abord contacter votre revendeur local. Pour toute demande d'intervention sous garantie, une preuve d'achat sera demandée (facture).

8. Garantie

L'appareil est garanti 2 ans. Cette garantie n'est valable que sur présentation de la facture d'achat et pour une utilisation domestique de l'appareil propre à sa destination. Ainsi, toute utilisation anormale ou toute modification de l'appareil entraînera l'exclusion de la garantie.

L'appareil est conforme aux directives Européenne CEE 76/889 et 82/499.

REMARQUE !

Cet appareil peut fonctionner entre 5°C et 35°C. Si la température sort de cette plage l'appareil ne fonctionnera pas convenablement.

Plus la température sera basse plus les performances de l'appareil vont diminuer, puisqu'il fonctionne par condensation.

l'air est plus chaud et plus humide.

Pour obtenir une protection fiable et sûre contre les dommages causés par l'humidité et les moisissures, il est recommandé de maintenir un taux d'hygrométrie compris entre 50% et 60%.

vider le bac il est possible de brancher un tuyau de 10 mm de diamètre au raccord de sortie de l'eau à l'arrière de l'appareil. Le tuyau sera relié à une évacuation en s'assurant que l'eau puisse s'écouler librement, par gravité, avec une pente suffisante. Au besoin il sera nécessaire de surélever l'appareil.

9. Conseils

Dans certains cas il peut être nécessaire d'utiliser un anti gel ou un chauffage soufflant pour s'assurer que la température ne descende pas en dessous de 10°C.

Même si le déshumidificateur M10G fonctionne à des températures plus basses jusqu'à 5° C , ses performances seront fortement augmentées à des températures plus élevées car plus l'air est chaud, plus il pourra contenir de l'humidité.

Pour un maximum de puissance du déshumidificateur dans une pièce, il est recommandé que l'apport d'air extérieur et des autres pièces soit le plus réduit possible. Il est donc conseillé de fermer les portes et d'arrêter les VMC et les ventilations.

INFORMATIONS TECHNIQUES WOOD'S M10G

Surface maximum	40 m ²
Surface recommandée	2-30 m ²
Débit d'air	120 m ³ /h
Capacité à 30°C & 80% HR	10 Liter
Energie consommé	280 W
Niveau sonore	42 dB
Température d'utilisation	+5°C bis +35°C
Nombre de vitesse	1
Dimension L x l x H	276x185x480 mm
Poids	kg
Gaz	R290
Indice de protection	IP21

DEPANNAGE

Si vous rencontrez un problème avec votre déshumidificateur, veuillez-vous référer aux différents cas de pannes ci-dessous. Si aucune solution proposée ne permet le fonctionnement de l'appareil, veuillez contacter votre distributeur.

PANNE	CAUSE	SOLUTION
L'appareil ne fonctionne pas	Le câble d'alimentation est-il branché ?	Brancher le câble d'alimentation à une prise électrique.
	Est-ce que la température de la pièce est supérieure à 35°C ou en dessous de 5°C ?	Augmentez ou baissez la température de la pièce.
L'appareil ne démarre pas	Le filtre est-il bouché ?	Nettoyez le filtre.
	L'entrée ou la sortie de l'appareil sont-ils obstrués ou bouchés ?	Nettoyez l'entrée ou la sortie de l'appareil.
Il n'y a pas d'air à la sortie de l'appareil	Le filtre est-il bouché ou encrassé ?	Nettoyez le filtre.
Il y a bruit anormal	L'appareil est-il incliné ?	Placez votre appareil sur une surface solide et plate.
	Le filtre est-il bouché ou encrassé ?	Nettoyez le filtre.
Le code E1 s'affiche sur l'écran	Il y a un problème avec la sonde hygrostatique ou sa connexion.	Contactez votre revendeur pour faire remplacer la sonde hygrostatique ou contrôlez sa connexion.



Ce symbole, figurant sur l'étiquette signalétique signifie que cet appareil, lorsqu'il est usagé, fait l'objet d'une collecte sélective, (pour les modalités de cette collecte, se renseigner auprès de votre commune) ou d'une reprise à titre gratuit par le distributeur pour l'acquisition d'un produit similaire. Compte tenu des effets sur l'environnement et la santé humaine, en raison de substances dangereuses dans les équipements électriques et électroniques. CET APPAREIL NE DOIT PAS ETRE JETE AVEC LES DECHETS MUNICIPAUX NON TRIÉS.



Material inflamable. Este electrodoméstico contiene R290/propano, un refrigerante inflamable. Para obtener información sobre seguridad, consulte este manual. El gas refrigerante R290 cumple las directivas medioambientales europeas. No lo perforo ni lo queme. El mantenimiento y las reparaciones que requieran la asistencia de otro personal cualificado, deberán realizarse bajo la supervisión de especialistas en el uso de refrigerantes inflamables.



Para obtener información sobre seguridad, consulte este manual



Lea el Manual técnico



Lea el Manual del operador.

INFORMACIÓN DE SEGURIDAD

Antes de la instalación y uso del electrodoméstico, lea detenidamente las instrucciones suministradas. El fabricante no es responsable de las lesiones y los daños provocados como consecuencia de una instalación y un uso incorrectos. Guarde siempre las instrucciones con el electrodoméstico

para consultarlas en el futuro.

Seguridad de los niños y de las personas vulnerables

ADVERTENCIA

Riesgo de lesiones o incapacidad permanente. Este electrodoméstico puede ser utilizado por niños de 8 años o más y personas con capacidades físicas, sensoriales o mentales reducidas o falta de experiencia y conocimientos, si se les ha dado supervisión o instrucciones sobre el uso del electrodoméstico de manera segura y comprenden los riesgos que implica. No permita que los niños jueguen con el electrodoméstico.

Los niños menores de 3 años deben mantenerse alejados, a menos que estén continuamente supervisados. Mantenga todo el embalaje lejos de los niños. La limpieza y el mantenimiento del usuario no se deben realizar por niños sin supervisión.

Seguridad general

Este electrodoméstico está diseñado para ser utilizado en aplicaciones domésticas y similares tales como: cuartos de baño, zonas de la cocina del personal en tiendas, oficinas y otros entornos de trabajo. La placa de clasificación se encuentra en la parte posterior o lateral del deshumidificador. Mantenga las aperturas de ventilación libres de obstrucciones.

No utilice dispositivos mecánicos ni otros medios para acelerar el proceso de descongelación, excepto los recomendados por el fabricante. El electrodoméstico no debe guardarse en una habitación con fuentes de ignición que funcionen continuamente (por ejemplo, llamas abiertas, un aparato de gas en funcionamiento o un calentador eléctrico que funcione). No lo perforo ni lo queme. Tenga en cuenta que es posible que los refrigerantes no contengan olor. No utilice agua pulverizada ni vapor para limpiar el electrodoméstico. Limpie el electrodoméstico con un paño suave y húmedo. Utilice solo detergentes neutros. No utilice productos abrasivos, almohadillas de limpieza abrasivas, disolventes ni objetos metálicos. Si el cable de alimentación está dañado, debe ser sustituido por el fabricante, su Centro de servicio autorizado o por personas de cualificación similar para evitar riesgos.

INSTRUCCIONES DE SEGURIDAD

Instalación ADVERTENCIA

Solo una persona cualificada debe instalar este electrodoméstico. Retire todo el embalaje. No instale ni utilice un electrodoméstico dañado. El electrodoméstico debe instalarse, manejarse y guardarse en una habitación

con una superficie de suelo superior a 4 m². Siga las instrucciones de instalación suministradas con el electrodoméstico.

Tenga siempre cuidado al mover el electrodoméstico porque es pesado. Use siempre guantes de seguridad.

Asegúrese de que el aire pueda circular alrededor del electrodoméstico. Espere al menos 4 horas antes de conectar el electrodoméstico a la fuente de alimentación. De esta manera, se permite que el aceite vuelva a entrar en el compresor. No instale el electrodoméstico cerca de radiadores ni otras fuentes de calor. No instale el electrodoméstico donde haya luz directa del sol. Este dispositivo es solo para uso en interiores. Asegúrese de que la unidad esté colocada sobre una superficie plana y estable. Si la superficie no es estable, existe el riesgo de que la unidad pueda estar inestable y provocar una vibración excesiva, haciendo que el agua se salga.

Conexión eléctrica

ADVERTENCIA

Riesgo de incendio y de descarga eléctrica. El electrodoméstico debe conectarse a una toma de corriente conectada a tierra. Asegúrese de que la informa-

ción eléctrica de la placa de clasificación coincida con la fuente de alimentación. De lo contrario, póngase en contacto con un electricista.

Utilice siempre un enchufe a prueba de descargas correctamente instalado.

No utilice adaptadores de enchufes múltiples ni alargadores.

Asegúrese de no causar daños a los componentes eléctricos (p. ej., enchufe de red, cable de red).

Póngase en contacto con el Centro de asistencia autorizado o con un electricista para cambiar los componentes eléctricos.

El cable de red debe permanecer por debajo del nivel del enchufe de red.

Conecte el enchufe de la red a la toma de corriente solamente al final de la instalación.

Asegúrese de que haya acceso al enchufe de red después de la instalación.

No tire del cable de red para desconectar el electrodoméstico. Tire siempre del enchufe de red.

Uso

ADVERTENCIA

Riesgo de lesiones, quemaduras, descarga eléctrica o incendio.

No modifique las especificaciones de este electrodoméstico.

Tenga cuidado de no causar daños en el circuito refrigerante. Contiene propano (R290), un gas natural con un alto nivel de compatibilidad medioambiental. Este gas es inflamable.

Si se produce algún daño en el circuito del refrigerante, asegúrese de que no haya llamas y fuentes de ignición en la habitación. Ventile la habitación.

No deje productos inflamables ni artículos que estén mojados con productos inflamables cerca o sobre el electrodoméstico.

Eliminación

ADVERTENCIA

Riesgo de lesiones.

Desconecte el electrodoméstico de la red eléctrica.

Corte el cable de alimentación y deséchelo.

El circuito refrigerante de este electrodoméstico es respetuoso con el ozono.

Póngase en contacto con las autoridades municipales para obtener información sobre cómo desechar el electrodoméstico correctamente.

No provoque daños en la parte de la unidad de refrigeración que está cerca del intercambiador de calor. Asegúrese siempre de que el electrodoméstico esté limpio. No cubra la unidad.

Gracias

Gracias por elegir un deshumidificador de Wood's. Es una de las más de 400 000 personas que han elegido un deshumidificador de Wood's para evitar los daños que provoca el exceso de humedad y el moho. Wood's, que se originó en Canadá en 1950, cuenta en su haber con más de 60 años de experiencia en el desarrollo y la fabricación de deshumidificadores. Al elegir un deshumidificador de Wood's, lo que se llevará a casa es un aparato de una excelente calidad, gran capacidad y que extraerá la mayor cantidad de litros por kWh consumido.

Cómo funciona su deshumidificador

El M10G de Wood's es un deshumidificador con compresor. A medida que el ventilador arrastra el aire a través del deshumidificador, lo pasa por las bobinas de cobre refrigeradas del compresor. Las bobinas enfrían el vapor de agua y separan el agua del aire.

El agua cae de las bobinas y se drena con la manguera de agua. Lo que queda es el aire seco que se expulsa a la habitación. A medida que el deshumidificador condensa el vapor de agua, se libera energía térmica. Por este motivo, el deshumidificador con compresor emitirá aire seco que resultará más beneficioso aún si cabe para secar ropa, la colada, madera, etc.

Un deshumidificador con compresor es la forma más eficiente energéticamente de eliminar el exceso de humedad y los malos olores. Mantenga un nivel de humedad relativa entre el 50 % y el 60 % para disfrutar de un ambiente seguro y saludable en casa.

1. Instalación y colocación

Los deshumidificadores de Wood's son fáciles de transportar, pero tenga en cuenta lo siguiente.

- El deshumidificador no debe colocarse cerca de radiadores ni otras fuentes de calor ni exponerse a la luz directa del sol, ya que ello reducirá su rendimiento.
- Mantenga al menos una distancia de 25 cm de las paredes y otros objetos que puedan resultar un obstáculo para maximizar el flujo de aire.

- Para un rendimiento óptimo, coloque el deshumidificador en el centro de la habitación.
- Asegúrese de que el flujo de aire de la entrada y la salida no esté bloqueado

Instalación:

1. Coloque el deshumidificador sobre un suelo plano y resistente, preferiblemente en el centro de la habitación.
2. Cierre todas las ventanas y ventilaciones de la habitación. De lo contrario, el aire húmedo del exterior seguirá entrando en la habitación.
3. Conecte el deshumidificador a una salida de alimentación conectada a tierra.

Si el deshumidificador se transporta en horizontal, el aceite puede haberse salido del compresor y haber entrado en el sistema de tuberías cerrado. En tal caso, deje el deshumidificador de pie durante unas horas antes de utilizarlo. Es muy importante que el aceite vuelva a entrar en el compresor. De lo contrario el deshumidificador puede resultar seriamente dañado.

2. Uso del M10G

Controlado por higróstico

La unidad se pondrá en marcha solo cuando la humedad ambiental supere el valor establecido.

Reinicio automático

En caso de un corte de electricidad, cuando se restablezca la electricidad la unidad seguirá funcionando de acuerdo con la configuración más reciente.

Descongelación automática

La unidad se descongelará automáticamente cuando sea necesario y reanudará el trabajo una vez finalizado el descongelamiento.

Al descongelar, el compresor se apaga y se enciende testigo de descongelación.

Puede poner en marcha y parar el deshumidificador pulsando el botón ON/OFF (apagado/encendido).

Cuando el compresor está funcionando, la luz del compresor se ilumina.

Ajuste de la humedad deseada

Para elegir el nivel de humedad deseado, pulse las flechas ARRIBA y

ABAJO (entre el 30 % y el 90 %). El deshumidificador se apagará cuando se alcance el nivel de humedad deseado. El valor establecido aparece en la pantalla durante un par de segundos. Después la pantalla vuelve a mostrar el nivel de humedad ambiental. Pulse la flecha ABAJO hasta que en la pantalla aparezca CO para que el deshumidificador funcione continuamente. Función continua, independientemente de la humedad de la habitación, la máquina continúa funcionando.

Cuando el nivel de humedad ambiental está por debajo del 35 %, en la pantalla aparecerá LO. Cuando el nivel de humedad ambiental está por encima del 95 %, en la pantalla aparecerá HI.

NOTA: cuando se alcance el nivel de humedad deseado, el ventilador seguirá funcionando durante un par de minutos antes de apagarse.

Configuración del apagado automático del temporizador

Pulse el botón del temporizador repetidamente para activar el apagado automático del temporizador entre 1 y 24 horas. Cuando se activa, el testigo del temporizador se ilumina. El valor establecido aparece en la pantalla durante un par de segundos. Después la pantalla vuelve a mostrar el nivel de humedad ambiental. Pulse el botón del temporizador hasta que en la pantalla aparezca 0 y el testigo del temporizador se apague para desactivarlo. Cuando se apaga debido al temporizador, deberá pulsar el botón de encendido para reiniciar la unidad.

4. Desagüe del agua

Cuando el depósito de agua está lleno, el deshumidificador se apaga automáticamente.

Una vez vaciado el depósito de agua, la unidad se reiniciará automáticamente.

1. Desconecte el deshumidificador de la fuente de alimentación.
2. Vacíe el depósito de agua.
3. Vuelva a colocar el depósito de agua vacío y compruebe que el flotador se mueva libremente.
4. Conecte el deshumidificador a la fuente de alimentación.

Desagüe del agua directo

Conecte una manguera de agua (10 mm) a la tubería de la parte posterior del deshumidificador. Lleve el otro extremo a un desagüe. Asegúrese de que el agua se pueda drenar hacia abajo.

5. El filtro de aire

El filtro de aire evita que entre polvo y suciedad en la máquina, prolongando su esperanza de vida. Es importante que el filtro se limpie regularmente. Limpieza del filtro:

1. Retire el filtro.
2. Lávelo con agua tibia y un agente limpiador suave. Otra opción es limpiar el filtro con vacío.
3. Deje que el filtro se seque y vuelva a colocarlo

Es muy importante que el filtro se limpie regularmente. De lo contrario, el deshumidificador podría perder capacidad e incluso estropearse gravemente.

6. Mantenimiento

- Limpie la unidad con un paño suave y húmedo. No utilice disolventes ni limpiadores fuertes, ya que ello podría dañar la superficie de la unidad.

- Las bobinas de refrigeración se limpian mejor con un trapo y agua caliente.

7. Servicio

Si el deshumidificador requiere una puesta a punto, primero debe ponerse en contacto con su vendedor minorista local. Para cualquier reclamación dentro de la garantía, es preciso presentar una prueba de compra.

8. Garantías

Garantía de dos años para el consumidor por fallos de producción. Tenga en cuenta que la garantía solo

es válida tras la presentación del tique de compra. La garantía solo es válida si el producto se utiliza de acuerdo con las instrucciones y advertencias de seguridad incluidas en este manual. La garantía no cubre los daños causados por la manipulación incorrecta del producto.

NOTA: La garantía de dos años solo se aplica a los consumidores y no al uso comercial de la unidad.

Esta máquina cumple las Directivas 76/889/CEE y 82/499/CEE

La unidad está configurada para funcionar entre +5 °C y +35 °C.

Si la temperatura se sale de este rango, puede que la unidad no funcione correctamente.

9. Consejos

A veces puede ser útil utilizar un protector antiescarpa o un calefactor para asegurarse de que la temperatura no se sitúe por debajo de +10 °C. Incluso si el M10G funciona hasta temperaturas tan bajas como +5 °C, su capacidad aumentará a temperaturas más altas ya que el aire caliente transporta más agua.

Para una potencia de deshumidificación máxima en una habitación, se recomienda que el suministro de aire desde el exterior y desde las habitaciones contiguas se minimice; cierre las puertas y los respiradores.

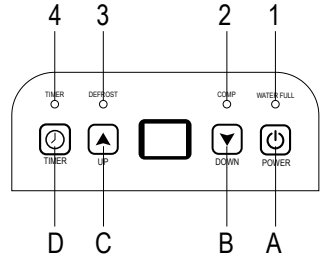
En otoño y verano podrá tener una mayor capacidad de deshumidificación ya que el aire del exterior es más caliente y más húmedo.

Para conseguir una protección segura y fiable contra los daños ocasionados por el moho y la humedad, mantenga la humedad relativa entre el 50 % y el 60 %.

PIEZAS

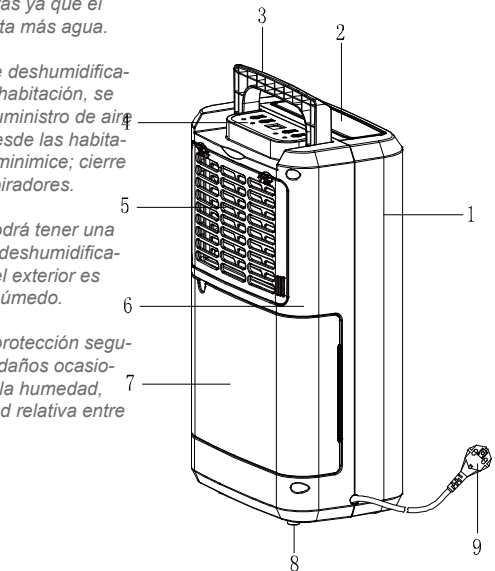
- Componentes
1. Cubierta delantera
 2. Salida

3. Asa
4. Panel de control
5. Caja del filtro
6. Cubierta trasera
7. Depósito
8. Patas de goma
9. Cable de alimentación



MANUAL DE INSTRUCCIONES INDICADORES LED

1. LED DE AGUA LLENA Rojo
2. LED DE COMP. Azul
3. DESCONGELAR Azul
4. LED DEL TEMPORIZADOR Verde



Pantalla de dos dígitos del nivel de humedad y del temporizador



El indicador cuenta con 3 funciones:

1. Cuando establece la humedad, indicará la humedad que ha seleccionado
2. Cuando programe la hora de encendido y apagado de la unidad, se mostrarán las horas.
3. Cuando la humedad ambiental sea inferior al 35 %, aparecerá «LO»
4. Cuando la humedad ambiental sea superior al 95 %, aparecerá «HI»

Funciones de los botones

A. Botón de inicio/parada



B. Botón para configurar los valores descendentes



C. Botón para configurar los valores ascendentes





D. Botón del temporizador



MANUAL DE INSTRUCCIONES

1. Enchufar la unidad.

2. Pulse el botón  una vez para iniciar el funcionamiento. Púlselo de nuevo para detener el funcionamiento.

3. Pulse el botón  o  para configurar el nivel de humedad deseado en la habitación, que se puede configurar del 30 % al 90 % en intervalos del 5 %. Tras estar funcionando un rato, cuando la humedad ambiental es un 2 % menor que la humedad seleccionada, el compresor se detendrá y el ventilador dejará de funcionar tres minutos más tarde. Cuando la humedad del entorno sea igual o un 3 % superior a la humedad seleccionada, el compresor se reiniciará una vez transcurrido el tiempo de protección del compresor de tres minutos.

4. Pulse el botón  para configurar el temporizador:

Pulse el botón para programar la hora en la que la unidad tenga que encenderse y apagarse. Si desea cancelar la programación del temporizador, pulse el botón para configurar la hora en 00, y, si pulsa el botón, pasará de 00-01-02 23-24. Se trata de la hora programada para cambiar la máquina. La hora programada se cancelará cada vez que se cambie el compresor manualmente. La hora programada permanece inalterado si la máquina deja de funcionar por el agua llena o durante la descongelación

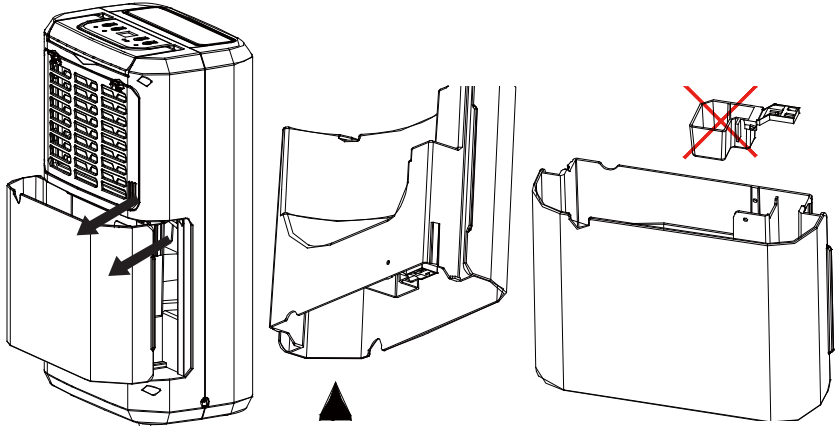
Nota: Cuando la humedad ambiental alcanza lo que configuró antes, tanto el compresor como el motor del ventilador se detendrán por primera vez durante 60 minutos, y luego el motor del ventilador funcionará durante 3 minutos para detectar la humedad, si es superior a la establecida, tanto el compresor como el motor volverán a funcionar; Si es más bajo de lo establecido, el compresor y el motor se apagan durante 60 minutos y luego el motor vuelve a funcionar durante 3 minutos;

DRENAJE DEL AGUA RECOGIDA

Cuando el depósito de desagüe está lleno, se encenderá el testigo de tanque lleno, el funcionamiento se detendrá automáticamente y el zumbador pitará 15 veces para alertar al usuario de que hay que vaciar el agua del depósito de desagüe.

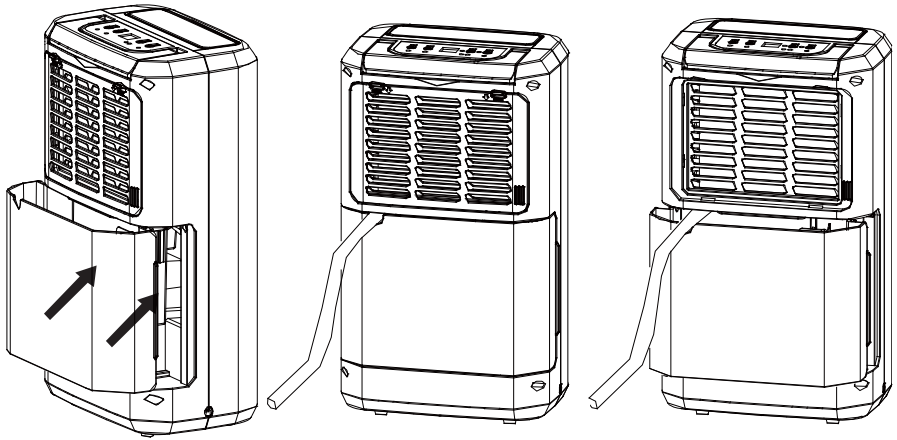
Vaciado del depósito de desagüe

1. Presione ligeramente en los lados del depósito con ambas manos y tire de él suavemente.
2. Tire el agua recogida



¡NOTA!

1. No retire el flotador que hay en el depósito de agua. El sensor de agua llena ya no podrá detectar el nivel de agua correctamente sin el flotador y el depósito de agua puede tener fugas de agua.
2. Si el depósito de desagüe está sucio, lávelo con agua fría o tibia. No utilice detergente, estropajos, paños para el polvo tratados químicamente, gasolina, benceno, diluyente u otros disolventes, ya que pueden rayar y dañar el depósito y provocar fugas de agua.
3. Cuando vuelva a colocar el depósito de desagüe, presiónelo con fuerza en su sitio con ambas manos. Si el depósito no se coloca correctamente, se activará el sensor «TANK FULL» (depósito lleno) y el deshumidificador no funcionará.



Desagüe continuo del agua

La unidad cuenta con un puerto de desagüe continuo. Introduzca un tubo de plástico con un inserto con un diámetro interno de 10 mm en el orificio de desagüe. El orificio de desagüe está situado en la esquina superior izquierda del depósito de agua. Asegúrese de encajar correctamente el tubo de plástico en el orificio de desagüe. El agua del depósito de desagüe se puede drenar continuamente desde el puerto continuo de la unidad.

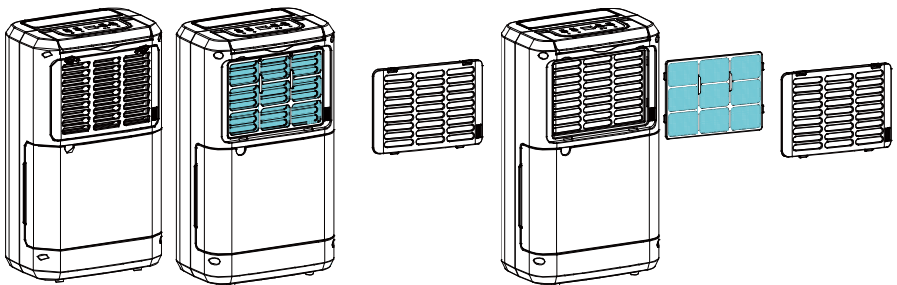
MANTENIMIENTO

Limpeza del deshumidificador

Para limpiar el cuerpo: Límpielo con un paño suave y húmedo.

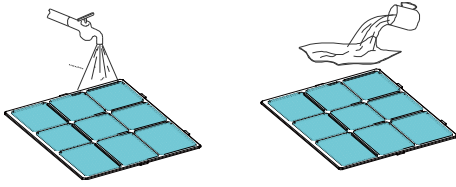
Limpeza del filtro de aire

1. En primer lugar, abra la rejilla de entrada y retire el filtro de aire



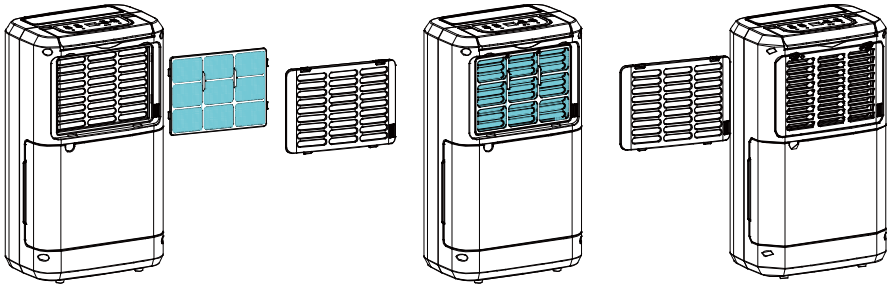
2. Limpie el filtro de aire

Pase una aspiradora ligeramente por la superficie del filtro de aire para eliminar la suciedad. Si el filtro de aire está excepcionalmente sucio, lávelo con agua tibia y un limpiador suave y séquelo bien.



3. Acople el filtro de aire

Inserte el filtro en la rejilla suavemente y coloque la rejilla de entrada en el lugar correcto.



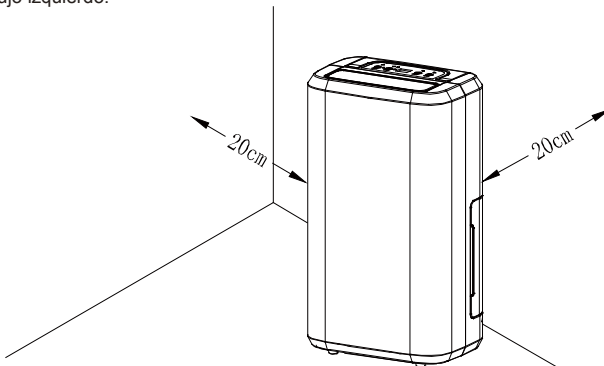
Almacenamiento del deshumidificador

Cuando la unidad no se vaya a utilizar durante un largo período de tiempo y desee guardarla, tenga en cuenta los siguientes pasos:

1. Vacíe el agua que quede en el depósito de desagüe.
2. Doble el cable de alimentación y colóquelo en el depósito de agua.
3. Limpie el filtro de aire
4. Guárdelo en un lugar fresco y seco.

Espacio libre

Mantenga un espacio libre mínimo alrededor del deshumidificador cuando la unidad esté funcionando, tal y como se muestra en el dibujo izquierdo.



DETECCIÓN Y RESOLUCIÓN DE PROBLEMAS

Si se produce una de las situaciones que se indican a continuación, compruebe los siguientes elementos antes de llamar al servicio de atención al cliente.

Problema	Posible causa	Solución
La unidad no funciona	¿Se ha desconectado el cable de alimentación?	Enchufe el cable de alimentación a la toma de corriente.
	¿Está parpadeando el testigo de depósito lleno? (El depósito está lleno o en una posición incorrecta.)	Vacíe el agua del tanque de desagüe y luego vuelva a colocarlo.
	¿La temperatura de la habitación está por encima de los 35 ° o por debajo de los 5 °?	El dispositivo de protección está activado y la unidad no se puede poner en marcha.
La función de deshumidificación no funciona	¿Está obstruido el filtro de aire?	Limpie el filtro de aire como se indica en «Limpieza del deshumidificador».
	¿Está obstruido el conducto de entrada o el conducto de descarga?	Elimine la obstrucción del conducto de descarga o del conducto de entrada.
No se descarga aire	¿Está obstruido el filtro de aire?	Limpie el filtro de aire como se indica en «Limpieza del deshumidificador».
Hace ruido al funcionar	¿Está inclinada la unidad o es inestable?	Traslade la unidad a un lugar estable y sólido.
	¿Está obstruido el filtro de aire?	Limpie el filtro de aire como se indica en «Limpieza del deshumidificador».
Código de error «E1»	Fallo del sensor de descongelación.	Sustituya el sensor de descongelación.

Datos técnicos del M10G de Wood's

Zona de trabajo máx.	40 m ²
Tamaño recomendado de la habitación	2-30 m ²
Flujo de aire	120 m ³ /h
Capacidad (a 30 °C y 80 % de HR)	10 litros
Potencia	280 W
Volumen del depósito	2 litros
Nivel de ruido	42 dB
Temperatura de funcionamiento	de +5 °C a +35 °C
Velocidades del ventilador	1
Dimensiones, L x An x Al	276x185x480 mm
Peso	9,5 kg
Refrigerante	R290
Código IP	IP21



Este marcado indica que este producto no se debe eliminar con otros desechos domésticos en toda la UE. Para evitar posibles daños al medio ambiente o a la salud de las personas a raíz de la eliminación incontrolada de desechos, recíclolo de una manera responsable para fomentar la reutilización sostenible de los recursos materiales. Para devolvernos su dispositivo, utilice los sistemas de devolución y recogida o póngase en contacto con el minorista donde compró el producto. Pueden llevarse este producto y reciclarlo de manera que sea seguro para el medio ambiente.



Ontvlambaar materiaal. Dit apparaat bevat R290/propanaan, een ontvlambaar koelmiddel. Raadpleeg deze handleiding voor veiligheidsinformatie. R290 is een gasvormig koelmiddel dat voldoet aan de Europese milieuriichtlijnen. Niet doorboren of branden. Onderhoud en reparaties waarbij hulp van ander gekwalificeerd personeel nodig is, moeten uitgevoerd worden onder toezicht van specialisten in het gebruik van ontvlambare koudemiddelen.



Raadpleeg deze handleiding voor veiligheidsinformatie



Lees de technische handleiding



Lees de gebruikshandleiding.

VEILIGHEIDSGEGEVINGEN



Lees vóór installatie en gebruik van het apparaat de bijgeleverde handleidingen aandachtig door. De fabrikant is niet verantwoordelijk als onjuiste installatie en gebruik die letsel en schade tot gevolg hebben. Houd de handlei-

dingen altijd bij het apparaat voor toekomstig gebruik.

Veiligheid kinderen en kwetsbare personen

WAARSCHUWING

Risico op letsel of blijvende invaliditeit.

Dit apparaat kan worden gebruikt door kinderen van 8 jaar en ouder en personen met verminderde lichamelijke, zintuiglijke of mentale vermogens of gebrek aan ervaring en kennis indien zij op een veilige manier begeleid worden of instructie hebben gekregen over het gebruik van het apparaat en de gevaren begrijpen. Laat kinderen niet met het apparaat spelen.

Kinderen jonger dan 3 jaar moeten van het apparaat weggehouden worden, tenzij zij onder voortdurend toezicht staan.

Houd alle verpakkingen uit de buurt van kinderen. Reiniging en gebruiksonderhoud mogen niet door kinderen worden uitgevoerd zonder dat er toezicht is.

Algemene veiligheid

Dit apparaat is bedoeld voor huishoudens en vergelijkbare toepassingen, zoals: toiletten, personeelskeukens in winkels, kantoren en andere werkomgevingen. Het typeplaatje zit aan de achterzijde of aan de zijkant van de ontvochtiger. Zorg

dat de ventilatieopeningen niet geblokkeerd worden.

Gebruik geen mechanische apparaten of andere middelen om het ontdooiproces te versnellen, anders dan die door de fabrikant aanbevolen. Het apparaat mag niet worden opgeslagen in een ruimte met continu werkende ontstekingsbronnen (bijv. open vuur, een gasapparaat in gebruik of een werkende elektrische kachel. Niet doorboren of branden. Let op dat koelmiddelen geen geur mogen bevatten. Gebruik geen waterstraal en stoom om het apparaat schoon te maken. Reinig het apparaat met een vochtige zachte doek. Gebruik alleen neutrale schoonmaakmiddelen. Gebruik geen schurende producten, schuursponsen, oplosmiddelen of metalen voorwerpen. Indien het netsnoer beschadigd is, moet het worden vervangen door de fabrikant, een erkend servicecentrum of gelijkwaardig gekwalificeerde personen om problemen te voorkomen.

VEILIGHEIDSGEGEVINGEN

Installatie

WAARSCHUWING

Dit apparaat mag alleen door een gekwalificeerd persoon geïnstalleerd worden.

Verwijder alle verpakkingen.

Installeer of gebruik geen beschadigd apparaat. Het apparaat moet geïnstalleerd, gebruikt en opgeslagen worden in een ruimte met een vloeroppervlak van ten minste 4 m². Volg de installatie-instructie die bij het apparaat is meegeleverd. Wees altijd voorzichtig wanneer u het apparaat verplaatst omdat het zwaar is. Draag altijd veiligheids handschoenen.

Zorg ervoor dat er lucht rond het toestel kan circuleren.

Wacht minimaal 4 uur voordat u het apparaat aansluit op het net. Dit is om de olie terug te laten stromen naar de compressor.

Installeer het toestel niet vlak bij radiatoren of andere warmtebronnen.

Installeer het toestel niet in direct zonlicht. Dit apparaat is alleen voor gebruik binnenshuis. Zorg dat de eenheid op een stabiele en vlakke ondergrond staat. Als de ondergrond niet stabiel is, bestaat de kans dat het apparaat instabiel kan worden en extreme trillingen kan veroorzaken waardoor er water vrijkomt.

Elektrische aansluiting

WAARSCHUWING 
Gevaar voor brand en

elektrische schokken. Het apparaat moet op een geaard stopcontact zijn aangesloten. Zorg dat de elektrische gegevens op het typeplaatje overeenkomen met de netspanning. Is dat niet het geval dan moet u contact opnemen met een elektricien. Gebruik altijd een correct geïnstalleerd slagvast stopcontact.

Gebruik geen stekkerdozen en verlengkabels.

Zorg ervoor dat u de elektrische componenten niet beschadigt (bijv. stekker, netsnoer).

Neem contact op met het geautoriseerde servicecentrum of een elektricien om de elektrische componenten te vervangen.

Het netsnoer moet lager liggen dan de stekker. Steek pas aan het einde van de installatie de stekker in het stopcontact.

Controleer of u na de installatie bij de stekker kunt.

Trek niet aan het netsnoer om het apparaat los te koppelen. Trek altijd aan de stekker.

Gebruik

WAARSCHUWING 
Risico op letsel, brandwonden, elektrische schokken of brand. Wijzig de specificatie van dit

toestel niet.

Zorg ervoor dat u het koelcircuit niet beschadigt. Het bevat propaan (R290), een natuurlijk gas met een grote milieu-compatibiliteit. Dit gas is ontvlambaar.

Als er schade aan het koelcircuit ontstaat moet u ervoor zorgen dat er geen vlammen of andere ontstekingsbronnen in de ruimte zijn. Ventileer de kamer. Zet geen brandbare producten of voorwerpen die nat zijn van brandbare stoffen in de buurt van of op het apparaat.

Afvoeren

WAARSCHUWING

Risico op letsel. Koppel het apparaat los van het net. Knip het netsnoer af en gooi dit weg. Het koelcircuit van dit apparaat is ozonvriendelijk. Neem contact op met uw gemeentelijke milieustation voor informatie over hoe u het apparaat correct afvoert. Zorg dat het gedeelte van de koeleenheid dat zich in de buurt van de warmtewisselaar bevindt niet beschadigd raakt. Let er op dat het apparaat altijd

Bedankt

Hartelijk bedankt dat u voor een ontvochtiger van Wood's heeft gekozen. U bent een van de meer dan 600.000 mensen die een ontvochtiger van Wood's hebben gekozen om schade door overmatig vocht en schimmels te voorkomen. Wood's is in 1950 in Canada opgericht en heeft meer dan 60 jaar ervaring met de ontwikkeling en productie van ontvochtigers. Wanneer u kiest voor een ontvochtiger van Wood's, krijgt u een apparaat van hoge kwaliteit, met een hoge capaciteit en met het hoogste extractievermogen in liters per opgenomen kWh.

Werking van uw ontvochtiger

De M10G van Wood's is een compressor-ontvochtiger. Als de lucht door de ontvochtiger wordt getrokken met behulp van de ventilator, stroomt de lucht over de door de compressor gekoelde koperen spiralen. De spiralen koelen de waterdamp en halen zo het water uit de lucht.

Het water drupt van de spiralen en wordt afgevoerd via de waterslang. Wat overblijft is droge lucht en deze wordt terug in de ruimte gebracht. Wanneer de ontvochtiger de waterdamp condenseert, komt er warmte-energie vrij. Daarom zal een compressor-ontvochtiger droge lucht uitblazen die extra handig is voor het drogen van kleding, was, hout enz.

Een compressor-ontvochtiger is de meest energiezuinige manier om overtollig vocht en slechte geuren te verwijderen. Houd de relatieve vochtigheid tussen 50% en 60% voor een veilige en gezonde binnenomgeving.

1. Installatie en plaatsing

De ontvochtigers van Wood's zijn gemakkelijk te verplaatsen, maar denk aan de volgende punten.

- De luchtontvochtiger mag niet vlak bij radiators of andere warmtebronnen of in de volle zon worden geplaatst, omdat hierdoor zijn prestaties verminderen.

- Houd ten minste 25 cm afstand van wanden en andere obstakels om de luchtstroom te maximaliseren.
- Plaats de ontvochtiger in het midden van de ruimte voor optimale prestaties.
- Zorg ervoor dat de luchtstroom van de inlaat en uitlaat niet geblokkeerd zijn

Installatie:

1. Plaats de ontvochtiger op een stevige ondergrond, bij voorkeur in het midden van de ruimte.
2. Sluit alle ramen en ventilatoren in de ruimte. Anders zal vochtige lucht van buiten de ruimte in blijven stromen.
3. Sluit de luchtontvochtiger aan op een geaard stopcontact.

Als de luchtontvochtiger horizontaal wordt vervoerd, kan er olie uit de compressor zijn gelopen en in het gesloten leidingsysteem zijn gekomen. Laat in dat geval de luchtontvochtiger een paar uur staan, voor deze weer te gebruiken. Het is zeer belangrijk dat de olie terugloopt naar de compressor, anders kan de luchtontvochtiger ernstig beschadigd raken.

2. Het gebruik van de M10G

Hygrostaatgeregeld

Het apparaat werkt alleen wanneer de omgevingsluchtvochtigheid de ingestelde waarde overschrijdt.

Automatische herstart

In het geval van een stroomstoring zal het apparaat volgens uw laatste instellingen gaan werken zodra het vermogen is teruggekeerd.

Automatische ontdooiing

Het apparaat zal automatisch ontdooien wanneer dat nodig is en de werking hervatten wanneer het ontdooien gereed is.

Bij ontdooien schakelt de compressor uit en brandt het ontdooi-indicatielampje.

Start en stop de ontvochtiger door op de AAN/UIT-knop te drukken.

Wanneer de compressor werkt, brandt het compressorlampje.

Gewenste luchtvochtigheid instellen

Druk op de pijlen omhoog en omlaag om de gewenste luchtvochtigheid in te stellen tussen 30% en 90%. De ontvochtiger wordt uitgeschakeld wanneer de gewenste luchtvochtigheid is bereikt. De ingestelde waarde wordt een paar seconden op het display weergegeven. Daarna keert het display terug naar de omgevingsluchtvochtigheid. Om de ontvochtiger continu te laten draaien kunt u op de pijl OMLAAG drukken totdat er CO op het display staat. Continue werking, ongeacht de luchtvochtigheid, de machine blijft draaien.

Wanneer de omgevingsluchtvochtigheid lager is dan 35%, staat er LO op het display. Wanneer de omgevingsluchtvochtigheid hoger is dan 95%, staat er HI op het display.

OPMERKING: wanneer de gewenste luchtvochtigheid bereikt is, zal de ventilator een paar minuten blijven draaien alvorens uit te gaan.

Timer instellen voor automatisch uitschakelen

Druk een aantal keren op de timerknop om de timer te activeren om tussen de 1 en 24 uur automatisch uitschakelen. Indien geactiveerd brandt het timerlampje. De ingestelde waarde wordt een paar seconden op het display weergegeven. Daarna keert het display terug naar de omgevingsluchtvochtigheid. Druk om te deactiveren op de timerknop totdat er 0 op het display staat en het timerlampje uit is gegaan. Wanneer de timer het apparaat heeft uitgeschakeld, moet u op de aan/uit-knop drukken om het apparaat opnieuw op te starten.

4. Waterafvoer

Wanneer het waterreservoir vol is, wordt de ontvochtiger automatisch uitgeschakeld.

Zodra het waterreservoir geleegd is, wordt het apparaat automatisch opnieuw opgestart.

1. Haal de stekker van de luchtontvochtiger uit het stopcontact.
2. Leeg het waterreservoir.
3. Plaats het lege waterreservoir terug en controleer of de vlotter vrij beweegt.
4. Sluit de luchtontvochtiger aan op de voeding.

Directe waterafvoer

Sluit een waterslang (10 mm) aan op de pijp aan de achterzijde van de ontvochtiger. Leg het andere uiteinde naar een afvoer. Zorg ervoor dat het water naar beneden kan lopen.

5. Het luchtfilter

Het luchtfilter voorkomt dat stof en vuil in de machine terechtkomen, wat de verwachte levensduur verlengt. Het is belangrijk dat het filter regelmatig wordt gereinigd. Reiniging van het filter:

1. Verwijder het filter.
2. Was het met warm water en een zacht schoonmaakmiddel. U kunt het filter ook stofzuigen.
3. Laat het filter drogen en zet het terug

Het is zeer belangrijk dat het filter regelmatig wordt gereinigd, anders kan de ontvochtiger zijn capaciteit verliezen en zelfs ernstig beschadigd raken.

6. Onderhoud

- Reinig het apparaat met een zachte vochtige doek. Gebruik geen oplosmiddelen of sterke schoonmaakmiddelen omdat deze het oppervlak van het apparaat kunnen beschadigen.

De koelspiralen worden het beste schoongemaakt met een doek en warm water.

7. Service

Als de ontvochtiger onderhoud nodig heeft, moet u eerst contact opnemen met uw lokale leverancier. U heeft een aankoopbewijs nodig voor alle garantieclaims.

8. Garantie

2 jaar consumentengarantie tegen productiefouten. Houd er rekening mee dat de garantie alleen geldig is na overleg van de aankoopnota. De garantie is alleen geldig als het product wordt gebruikt in overeenstemming met de instructies en veiligheidsvoorschuivingen die in deze handleiding staan. De garantie dekt geen schade die wordt veroorzaakt door een onjuiste behandeling van het product.

OPMERKING: De 2 jaar garantie geldt alleen voor consumenten en niet voor commercieel gebruik van het apparaat.

Deze machine is in overeenstemming met de richtlijnen van de EEC 76/889 + 82/499

De unit is ingesteld om te werken bij temperaturen tussen +5°C en +35°C.

Als de temperatuur buiten dit bereik komt, functioneert het apparaat mogelijk niet goed.

9. Tips

Het kan soms handig zijn om een vorstbeschermer of een kachelventilator te gebruiken om de temperatuur boven de +10°C te houden. De M10G functioneert vanaf temperaturen van +5°C, maar de capaciteit ervan zal toenemen bij hogere temperaturen omdat warme lucht meer water draagt.

Voor maximaal ontvochtigingsvermogen in een ruimte is het raadzaam de luchttoevoer van buiten en van aangrenzende kamers zo klein mogelijk te maken: sluit deuren en zet ventilatoren uit.

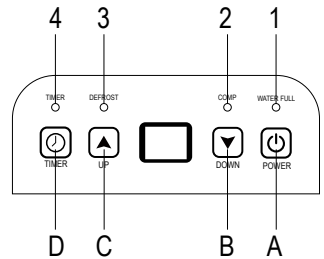
U kunt een hogere ontvochtigingscapaciteit verwachten tijdens de herfst/zomer omdat de buitenlucht dan warmer en vochtiger is.

Voor een veilige en betrouwbare bescherming tegen schimmel- en vochtschade, dient de relatieve vochtigheid tussen de 50% en 60% te liggen.

ONDERDELEN

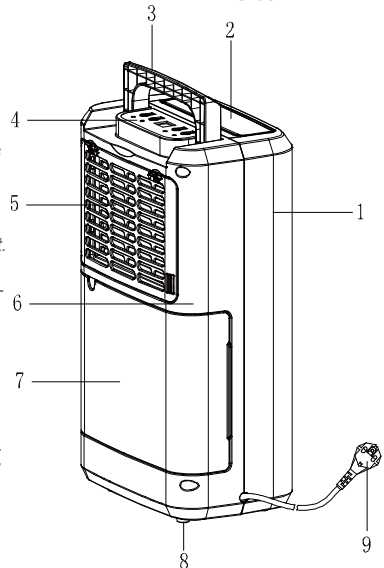
Componenten

1. Kap voor
2. Uitlaat
3. Draagbeugel
4. Bedieningspaneel
5. Filterhuis
6. Kap achter
7. Tank
8. Rubberen voet
9. Netsnoer



GEBRUIKSAANWIJZING LED-INDICATOREN

- | | |
|------------------|-------|
| 1. LED WATER VOL | Rood |
| 2. COMP-LED | Blauw |
| 3. ONTDOOIEN | Blauw |
| 4. TIMER-LED | Groen |



Luchtvochtigheid & timer 2-cijferige weergave

De indicator heeft 3 functies:

1. Wanneer u de luchtvochtigheid instelt, wordt de luchtvochtigheids aangegeven die u hebt geselecteerd
2. Wanneer u de tijd programmeert waarop het apparaat in en uit moet schakelen, worden de uren weergegeven.
3. Wanneer de omgevingsluchtvochtigheid lager is dan 35%, wordt "LO" weergegeven
4. Wanneer de omgevingsluchtvochtigheid hoger is dan 95%, wordt "HI" weergegeven

Functiële butoanelor

A. buton pornire - oprire



B. Buton setare Valori Descrescator





C. Buton setare valori Crescator



D. Timerknop

**GEBRUIKSAANWIJZING****1. Sluit het apparaat aan.**

2. Druk eenmaal op de  knop om de werking te starten. Druk er nogmaals om de werking te stoppen.

3. Druk op  of  knop om de gewenste luchtvochtigheid in de ruimte in te stellen; deze kan ingesteld worden tussen de 30% tot 90% in stappen van 5%. Na een periode gebruik, wanneer de omgevingsluchtvochtigheid 2% lager is dan de geselecteerde luchtvochtigheid, zal de compressor stoppen en de ventilator draait nog 3 minuten door en stopt dan. Wanneer de omgevingsluchtvochtigheid gelijk is aan of 3% hoger is dan de geselecteerde luchtvochtigheid, start de compressor opnieuw zodra de 3 minuten beveiligingstijd van de compressor voorbij zijn.

4. Druk op de  knop kan de timerinstelling zijn:

Druk op de knop om de tijd te programmeren wanneer het apparaat wordt ingeschakeld en wordt uitgeschakeld. Als u de timerprogrammering wilt annuleren, drukt u op de knop om de tijd om 00 aan te passen en drukt u op de knop, het zal circuleren van 00-01-02..... 23-24. It is de geprogrammeerde tijd om de machine te schakelen. De geprogrammeerde tijd wordt geannuleerd wanneer de compressor elke keer handmatig moet worden geschakeld. De geprogrammeerde tijd blijft ongewijzigd als de machine stopt met werken omdat de watertank vol is of tijdens ontdooien

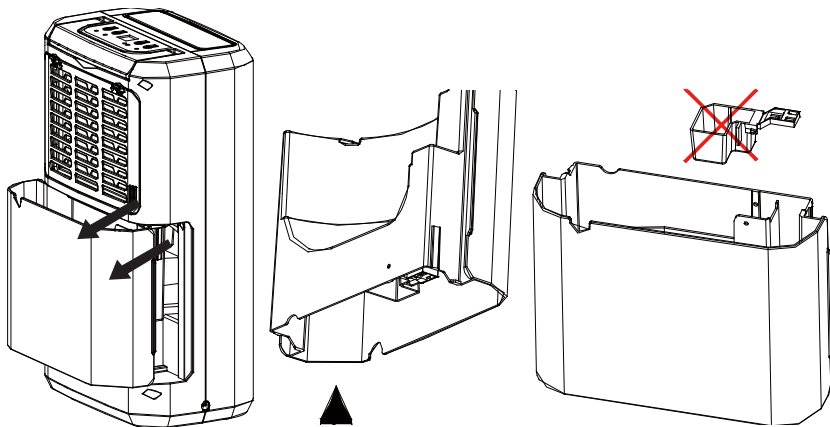
Opmerking: Wanneer de omgevingsvochtigheid de eerder ingestelde waarde bereikt, zullen zowel de compressor als de ventilatormotor eerst 60 minuten stoppen en daarna zal de ventilatormotor 3 minuten werken om de vochtigheid te detecteren, indien hoger dan ingesteld, zullen zowel de compressor als de motor weer werken Als deze lager is dan ingesteld, worden zowel de compressor als de motor 60 minuten uitgeschakeld en dan werkt de motor weer 3 minuten; '

HET VERZAMELDE WATER AFVOEREN

Wanneer de afvoertank vol is, zal het indicatielampje 'tank vol' branden, het apparaat stopt automatisch en de zoemer zal 15 keer piepen om de gebruiker te waarschuwen dat het water uit de afvoertank geleegd moet worden.

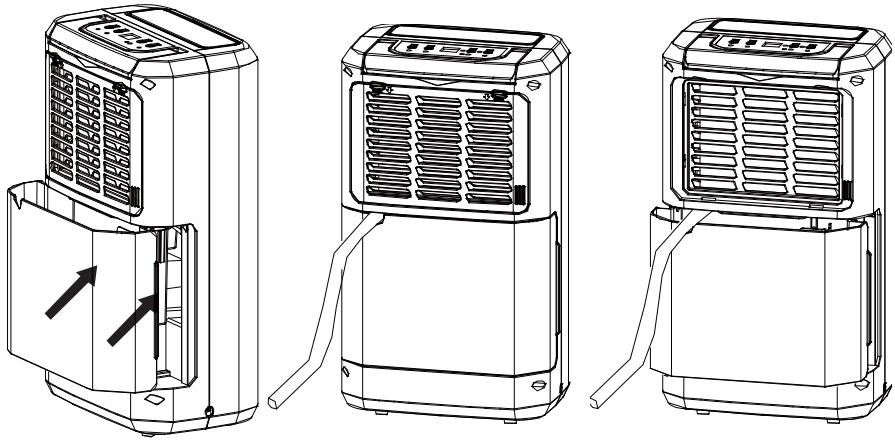
Legen van de afvoertank

1. Druk de zijkanten van de tank lichtjes met beide handen in en trek de tank er voorzichtig uit.
2. Gooi het verzamelde water weg



OPMERKING!

1. Verwijder de vlotter niet uit de watertank. Zonder de vlotter zal de sensor voor 'water vol' zal niet langer het waterniveau correct kunnen detecteren en er kan water uit de watertank lekken.
2. Als de afvoertank vuil is, kan deze met koud of lauw water gewassen worden. Gebruik geen reinigingsmiddelen, schuursponsjes, chemisch behandelde stoffdoeken, benzine, benzeen, thinner of andere oplosmiddelen, omdat deze kunnen krassen en daardoor de tank kunnen beschadigen, wat waterlekkage kan veroorzaken
3. Bij het vervangen van de afvoertank, dient u de tank met beide handen stevig op zijn plaats te drukken. Als de tank niet goed gepositioneerd is, zal de sensor "TANK FULL" geactiveerd worden en zal de ontvochtiger niet werken.



Continue waterafvoer

De unit heeft een opening voor continue afvoer. Steek een plastic slang met een binnendiameter van 10 mm in de afvoeropening. De afvoeropening zit in de linker bovenhoek van de watertank. Zorg dat u de plastic slang goed in de afvoeropening bevestigd.

Het water in de drainage tank kan continu worden afgevoerd via de daarvoor bestemde continue opening op het apparaat.

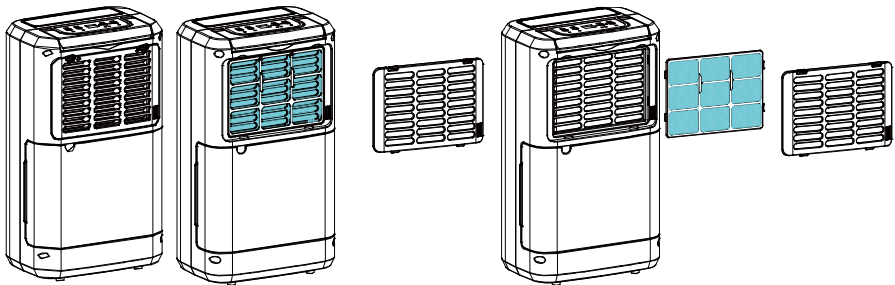
ONDERHOUD

De luchtontvochtiger schoonmaken

Reinigen van de buitenkant: Veeg schoon met een zachte vochtige doek.

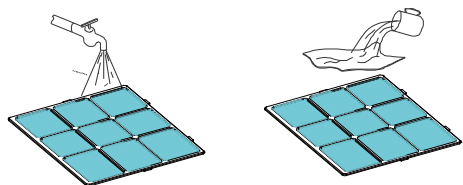
Reinigen van het luchtfilter

1. Open eerst het inlaatrooster en verwijder het luchtfilter



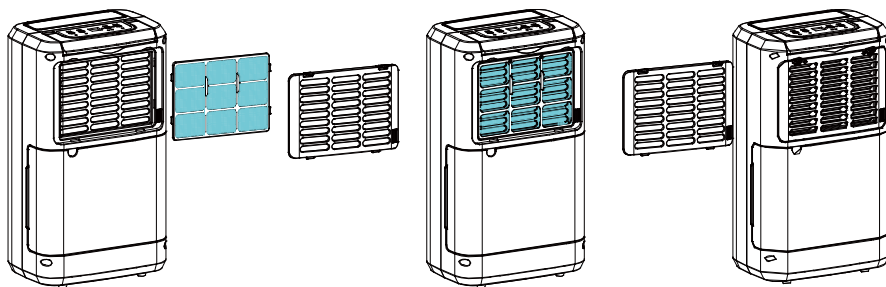
2. Reinig het luchtfilter

Ga met een stofzuiger lichtjes over het oppervlak van het luchtfilter uit om het vuil te verwijderen. Als het luchtfilter uitzonderlijk vies is, dient u het met warm water en een mild reinigingsmiddel grondig te wassen en goed te drogen.



3. Plaats het luchtfilter

Steek het filter soepel in het rooster en plaats het inlaatrooster op de juiste plaats.



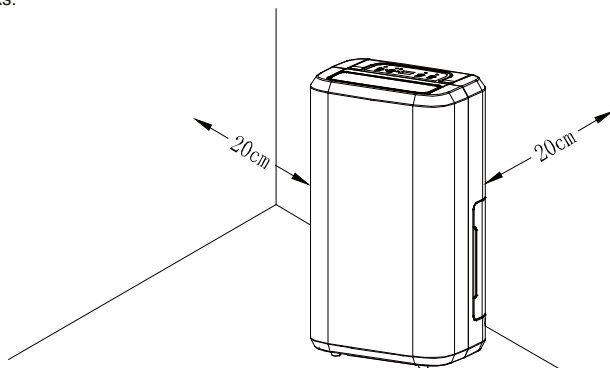
Opslag van de ontvochtiger

Wanneer het apparaat gedurende een langere periode niet wordt gebruikt en u wilt deze opslaan, volg dan de volgende stappen:

1. Leeg al het water uit de afvoertank.
2. Rol het netsnoer op en leg het in de watertank.
3. Reinig het luchtfilter
4. Bewaar op een koele en droge plaats.

Ruimte rondom

Wanneer het apparaat in werking is moet u de minimale ruimte rond de ontvochtiger aanhouden zoals aangegeven in de afbeelding links.



PROBLEEMOPLOSSING

Als een situatie zoals hieronder beschreven staat optreedt, controleert dan de bijhorende punten voordat u de klantenservice belt.

Probleem	Mogelijke oorzaak	Oplossing
Het apparaat doet het niet	Is het netsnoer ontkoppeld?	Steek het netsnoer in het stopcontact.
	Knippert het indicatielampje "tank vol"? (De tank is vol of is niet goed geplaatst.)	Leeg al het water uit de afvoertank en plaats de tank dan terug.
	Is de temperatuur van de kamer hoger dan +35°C of lager dan +5°C?	De beveiliging is geactiveerd en het apparaat kan niet worden gestart.
De ontvochtigings-functie werkt niet	Is het luchtfilter verstopt?	Reinig het luchtfilter volgens de instructies onder "De luchtontvochtiger schoonmaken".
	Is het inlaatkanaal of uitlaatkanaal geblokkeerd?	Verwijder de obstructie in het inlaatkanaal resp. uitlaatkanaal.
Er komt geen lucht uit	Is het luchtfilter verstopt?	Reinig het luchtfilter volgens de instructies onder "De luchtontvochtiger schoonmaken".
Veel lawaai tijdens functioneren	Staat het apparaat scheef of instabiel?	Verplaats het apparaat naar een stabiele, stevige plaats.
	Is het luchtfilter verstopt?	Reinig het luchtfilter volgens de instructies onder "De luchtontvochtiger schoonmaken".
"E1" foutcode	Fout ontdooisensor.	Vervang de ontdooisensor.

Technische gegevens Wood's M10G

Max. werkgebied	40 m ²
Aanbevolen grootte ruimte	2-30 m ²
Luchtstroom	120 m ³ /u
Capaciteit (bij +30°C & 80% RH)	10 liter
Vermogen	280 W
Tankinhoud	2 liter
Geluidsdruk	42 dB
Werktemperatuur	+5°C tot +35°C
Ventilatorsnelheden	1
Afmetingen, L x B x H	276x185x480 mm
Gewicht	9,5 kg
Koelmiddel	R290
IP-klasse	IP21



Deze markering geeft aan dat dit product in de EU niet met andere huishoudelijke afvalstoffen mag worden verwijderd. Om eventuele schade aan het milieu of gezondheid door ongecontroleerde afvalverwijdering te vermijden, moet u het verantwoord recycleren om het duurzame hergebruik van grondstoffen te stimuleren. Voor het retourneren van uw apparaat, kunt u de afvalverwerkingsystemen gebruiken of contact opnemen met de leverancier waar het product werd gekocht. Zij kunnen dit product accepteren voor milieuvrij recycleren.



Degioji medžiaga. Šiame prietaise yra degaus šaltnešio R290 / propano.



Žr. operatoriaus vadovą.



Žr. techninį vadovą



Žr. operatoriaus vadovą.

SAUGOS INFORMACIJA

Prieš įrengdami ir naudodami prietaisą, atidžiai perskaitykite pateiktus nurodymus. Gamintojas neatsako už sužalojimus ir pažeidimus, atsiradusius neteisingai naudojant prietaisą. Instrukciją visada laikykite prie prietaiso, kad prireikus galėtumėte pasiskaityti.

Vaikų ir pažeidžiamų žmonių sauga

ĮSPĖJIMAS

Susižalojimo arba nuolatinio neįgalumo pavojus. Šį prietaisą gali naudoti vaikai nuo 8 metų ir asmenys, turintys psichinę, jutiminę ar fizinę negalią, arba neturintys pakankamai patirties ar žinių, jei juos prižiūri arba išmoko

saugiai naudotis prietaisu kitas asmuo ir jei jie supranta su prietaiso naudojimu susijusius pavojus. Neleiskite vaikams žaisti su prietaisu.

Jaunesni kaip 3 metų vaikai turėtų būti laikomi atokiau, nebent jie būtų nuolat prižiūrimi.

Visas pakuotes laikykite atokiau nuo vaikų. Prietaiso valymo ir priežiūros darbų vaikai be priežiūros atlikti negali.

Bendroji sauga

Šis prietaisas yra skirtas naudoti namų ūkyje ir panašiose vietose, pavyzdžiui, rūsiuose, ankštose erdvėse, parduotuvių, biurų ir kitų įstaigų darbuotojų virtuvių zonose. Duomenų plokštelė yra už sausintuvo vandens bakelio. Negalima uždengti ventiliacijos angų.

Nenaudokite mechaninių įtaisų ar kitų priemonių atitirpinimo procesui pagreitinti, išskyrus gamintojo rekomenduotus. Prietaiso negalima laikyti patalpoje, kurioje yra nuolat veikiančių degimo šaltinių (pvz., atvira liepsna, veikiantis dujinis prietaisas arba elektrinis šildytuvas). Prietaiso negalima badyti ar deginti. Turėkite omenyje, kad

šaltnešis gali neturėti kvapo. Prietaisui valyti nenaudokite vandens srovės ir garų. Prietaisą valykite minkšta drėgna šluoste. Naudokite tik neutralius ploviklius. Nenaudokite abrazyvinių gaminių, abrazyvinių šluosčių, tirpiklių ar metalinių daiktų. Jei maitinimo laidas yra pažeistas, jis turi būti pakeistas gamintojo, jo įgalioto techninės priežiūros centro arba kito kvalifikuoto asmens, išvengiant galimo pavojaus.

SAUGOS NURODYMAI

Įrengimas

Šį prietaisą gali įrengti tik kvalifikuotas asmuo. Pašalinkite visą pakuotę. Neįrenkite ir nenaudokite pažeisto prietaiso. Prietaisą galima įrengti, eksploatuoti ir laikyti patalpoje, kurios grindų plotas didesnis nei 4 m². Laikykitės su prietaisu pateiktų įrengimo nurodymų. Prietaisą perkelkite atsargiai, nes jis yra sunkus. Visada mūvėkite apsaugines pirštines.

Pasirūpinkite, kad aplink prietaisą oras galėtų laisvai cirkuluoti. Prieš prijungdami prietaisą prie maitinimo šaltinio, palaukite bent 4 valandas. Per šį laiką alyva subėgs atgal į kompresorių. Neįrenkite prietaiso arti

radiatorių ar kitų šilumos šaltinių.

Neįrenkite prietaiso tiesioginių saulės spindulių apšviečiamoje vietoje.

Elektros maitinimo prijungimas

ĮSPĖJIMAS

Gaisro ir elektros smūgio rizika.

Prietaisas turi būti prijungtas prie įžeminto maitinimo lizdo.

Įsitikinkite, kad duomenų plokštelėje esanti elektros maitinimo informacija atitinka maitinimo šaltinio duomenis. Jei taip nėra, kreipkitės į elektriką.

Visada naudokite tinkamai įrengtą smūgiams atsparų lizdą.

Nenaudokite šakotuvų ir ilgintuvų.

Pasirūpinkite, kad nebūtų pažeisti elektros komponentai (pvz., kištukas, maitinimo kabelis).

Kreipkitės į įgaliotąjį techninės priežiūros centrą arba elektriką, kad pakeistų elektros komponentus.

Maitinimo kabelis turi būti žemiau kištuko lygio.

Kištuką į maitinimo lizdą įjunkite

tik įrengimo pabaigoje.

Pasirūpinkite, kad įrengus prietaisą kištukas būtų lengvai pasiekiamas.

Norėdami išjungti prietaisą, nenuimkite maitinimo kabelio.

Visada traukite tik kištuką.

Naudoti

ĮSPĖJIMAS

Sužeidimų, nudegimų, elektros smūgio ar gaisro pavojus.

Nekeiskite šio prietaiso specifikacijos.

Būkite atsargūs, kad nepažeistumėte šaltnešio kontūro. Jame yra propano (R290), aplinkoje lengvai pasklindančių gamtinių dujų. Šios dujos yra degios.

Jei pažeidžiamas šaltnešio kontūras, pasirūpinkite, kad patalpoje nebūtų liepsnos ir uždegimo šaltinių. Vėdinkite patalpą.

Nedėkite degiųjų gaminių ar daiktų, persisunkusių degiaisiais gaminiais, šalia arba ant prietaiso.

Šalinimas

ĮSPĖJIMAS

Pavojus susižeisti.

Atjunkite prietaisą nuo maitinimo tinklo.

Nupjunkite maitinimo laidą ir išmeskite.

Šio prietaiso šaltnešio kontūras nekenkia ozonui.

Informacijos apie tai, kaip tinkamai išmesti prietaisą, teiraukitės savivaldybėje.

Nepažeiskite aušinimo

įrenginio dalies, esančios šalia šilumokaičio.

Dėkojame Jums

Sveikiname įsigijus aukštos kokybės Wood's kompanijos produktą. Jūs esate vienas iš daugiau nei 300 000 žmonių, pasirinkusių Wood's padėti jiems kovoti su pertekline drėgme ir pelėsiu, bei išvalyti namų orą. Wood's, savo veiklą pradėję 1950 m. Kanadoje, sukaupe daugiau nei 60 metų patirtį kuriant ir gaminant oro sausintuvus ir valytuvus. Pasirinkdami Wood's produktą, gaunate aukščiausią kokybę ir našumą.

Per didelės drėgmės pavojai

Vandens garai sklandydami ore ir susidūrę su šaltu stogu, langu arba siena virsta kondensatu. Kai vandens garai atvėsta, atsiranda kondensatas ir susiformuoja vandens lašai. Esant aukštam patalpos drėgmės lygiui oras tampa suplėkęs ir gali atsirasti pelėsiai, kurie kenkia namams ir baldams. Tokia aplinka gali tapti patalpoje gyvenančių žmonių ligos priežastimi, kadangi namais ir kiti kiti gyvi organizmai sparčiai plinta drėgnoje aplinkoje. Oro sausintuvus palaiko tinkamą ir sveiką drėgmės lygį, o siekiant efektyvesnio sausinimo kambario durys ir langai turi būti uždaryti. Oro sausintuvai panaikina nemalonų drėgmės kvapą, sausina medieną, džiovina sušlapusius rūbus.

Oro sausintuvo pastatymas

Wood's oro sausintuvai yra lengvai judinami po patalpą. Viskas ko jums reikia, tai elektros lizdo 220/240V, tačiau atsiminkite:

- Oro sausintuvus negali būti pastatytas šalia radiatoriaus ar kito šildymo prietaiso, kadangi tai gali sumažinti jo našumą.
- Šildykite patalpą, kad jos temperatūra pasiektų 50C.
- Oro sausintuvus turi stovėti mažiau siauri 25 cm. nuo sienos ar kitų daiktų, tam kad oro srautas būtų maksimalus.
- Idealu, jeigu oro sausintuvą pastatysite viduryje kambario/patalpos.
- Įsitikinkite, kad nėra blokuojamos oro įtraukimo ir išpūtimo angos.

Dėmesio!

Jeigu oro sausintuvą naudojate duše arba vonios kambaryje, prietaisas turi būti pritvirtintas vietoje. Privaloma patikrinti ir naudoti prietaisą pagal vonios kambario reikalavimus.

Pastatymas:

1. Pastatykite prietaisą ant kietų grindų, geriausia kambario viduryje.
2. Uždarykite visus langus ir ventiliacijos angas. Kitaip drėgmė ir nešvarus oras iš lauko ir toliau plūs į vidų.
3. Prijunkite prietaisą prie įžeminto elektros lizdo.

Šis prietaisas nenumatytas naudoti asmenims (įskaitant vaikus), kuriems yra mažesni fiziniai, jutiminiai ar psichiniai pajėgumai, arba trūksta patirties ir žinių, išskyrus atvejus, kai jiems buvo suteikta priežiūra ar nurodymai, patvirtinantys, kad prietaisą naudoja už saugą atsakingas asmuo.

Vaikai turi būti prižiūrimi, kad užtikrintų, jog jie neveikia su prietaisu.

Jeigu prietaisas buvo transportuojamas paguldytas, tepalas galėjo ištėkėti iš kompresoriaus į uždara vamzdelių sistemą. Tokiu atveju, prieš pradėdami naudotis prietaisu, leiskite jam pastovėti kelias valandas. Labai svarbu, kad tepalas grįžtų atgal į kompresorių, kitaip galite jį sugadinti.

Naudojimasis oro sausintuvu

Valdymas drėgnomačiu
Prietaisas veiks tik tada, kai sąlyginis drėgmės lygis viršys Jūsų nustatytą pageidaujimą lygį.

Automatinis perkrovimas

Esant elektros energijos tiekimo sutrikimams, prietaisas tęs darbą pagal paskutinius Jūsų nustatymus iš karto, kai elektros energijos tiekimas atsinaujins.

Automatinis atitirpinimas

Veikdamas oro sausinimo režimu, prietaisas automatiškai atitirpins savo mechanizmą. Atitirpinant išsijungs kompresorius, įsijungs „atitirpinimo“ lemputė, o visi kiti mygtukai nustos veikti. Atitirpinimo procesui pasibaigus, oro sausintuvus persikraus.

Ijunkite ir išjunkite oro sausintuvą

spausdami mygtuką ON/OFF

Nustatykite pageidaujimą drėgmės lygį

Naudodamiesi rodyklėmis pažymėtais mygtukais nustatykite pageidaujimą drėgmės lygį tarp 30% ir 90%. Kai pasiekiamas pageidaujamas drėgmės lygis, prietaisas automatiškai nustoja veikti. Ekrane kelias sekundes matomas nustatytas drėgmės lygis. Paspauskite žemyn nukreiptos rodyklės mygtuką ir palaikykite norėdami įjungti pastovaus veikimo režimą „CO“.

Kai patalpos drėgmės lygis nukrenta žemiau 35% ekrane rodomos raidės LO, o kai drėgmės lygis viršija 95%, ekrane rodomos raidės HI. PASTABA: Patalpoje pasiekus pageidaujimą drėgmės lygis prietaiso ventiliatorius dar veiks kelias minutes prieš išsijungiant.

Nustatykite laikmatį

Spauskite TIMER mygtuką norėdami nustatyti laikmatį tarp 1 ir 24 valandų automatiniam prietaiso išjungimui. Anuliuoti laikmatį, nuspauskite laikmačio mygtuką keletą kartų, kol ekrane rodyš skaičių 0. Iš naujo įjungti prietaisą turėsite rankiniu būdu, paspaudę įjungimo mygtuką.

Dėmesio!

Kai oro sausintuvus išsijungia, jums reikės luktelėti 3 minutes, kol prietaisas įsijungs iš naujo. Po 3 min išsijungia integruota automatinė apsauga.

Oro sausintuvus kokybiškai veikia +5 - +350C temperatūros diapazone. Jeigu aplinkos temperatūra išeina iš šio diapazono, prietaisas gali veikti netinkamai.

Vandens bakelis

Kai vandens bakelis prisipildo, oro sausintuvus automatiškai išsijungs ir užsiedgs vandens indikatorius. Kai tik ištuštinsite vandens bakelį, prietaisas vėl ims veikti.

- Ištraukite oro sausintuvo elektros kištuką iš lizdo;
- Išpilkite vandenį iš bakelio;
- Įstatykite tuščią bakelį atgal į prietaisą;
- Įjunkite sausintuvo elektros kištuką į lizdą.

Sveikiname įsigijus aukštos kokybės Wood's kompanijos drėgmės surinkėją! Wood's drėgmės surinkėjas yra patys perkamiausi Skandinavijos šalyse ir laimėję daugiausiai apdovanojimų įvairiuose testuose.

Saugumo reikalavimai

- Atidžiai perskaitykite šią naudojimosi instrukciją prieš pradėdami naudotis prietaisu. Saugokite instrukciją ateičiai.
- Niekada neparandinkite drėgmės surinkėjo į vandenį ar kitus skysčius.
- Nenaudokite prietaiso jeigu pažeistas maitinimo laidas arba kištukas, jeigu sutriko prietaiso veikimas, jeigu prietaisas buvo numestas arba kitaip pažeistas.
- Prietaisas gali būti remontuojamas tik profesionalių specialistų. Netinkamas remontas gali sugadinti prietaisą negrįžtamai ir kelti pavojų aplinkiniams.
- Prietaisas neskirtas naudotis vaikams. Neleiskite vaikams valdyti oro sausintuvo be suaugusiųjų priežiūros.
- Nesinaudojant oro sausintuvu, prieš transportuojant ar valant šį oro sausintuvą, būtinai ištraukite kištuką iš elektros lizdo.
- Naudokite oro sausintuvą tik esant tokiai įtampai kuri nurodyta prietaiso lentelėje.
- Naudokite oro sausintuvą tiknamų ūkio reikmėms ir tik tuo tikslu, kuriam jis skirtas.
- Ant prietaiso nedėkite sunkių daiktų.
- Siekdami apsaugoti nuo vandens išsiliejimo, ištuštinkite vandens bakelį prieš transportuojant prietaisą.
- Neverskite prietaiso ant šono, kadangi bėgantis vanduo gali sugadinti oro sausintuvą.
- Nenaudokite prietaiso jeigu pažeistas maitinimo laidas. Laidas kvalifikuoto elektriko turi būti pakeistas nauju siekiant išvengti traumų ir sužalojimų.
- Prietaisas neskirtas naudotis vaikams, asmenims turintiems fizinį, protinį, požiūčių sutrikimų, nebent jiems buvo specialiai apmokyti naudotis šiuo prietaisu ir buvo suteiktas leidimas.
- Prietaisas gali būti naudojamas atitraukus nuo sienos mažiausiai 50cm.

15. Ištraukite elektros kištuką iš lizdo prieš valydami prietaisą.

16. Prietaisas skirtas naudoti TIK namuose ar biure; jo negalima naudoti komerciniais, pramoniniais, statybiniais, renovacijos tikslais ar lauke.

Pastovus vandens nutekėjimas

Oro sausintuvą turi galimybę prijungti vandens vamzdį. Prijungus vamzdį prie sausintuvo surinktas vanduo bus išpilamas tiesiogiai laukan. Prijunkite vamzdžio movą ant vandens atidavimo antgalio, o prijungtą vamzdį nuveskite į drenažo išėjimą. Patikrinkite ar vamzdis nėra aukščiau negu vandens atidavimo antgalis.

Oro filtras

Oro sausintuvo nugarinėje pusėje esantis oro filtras apsaugo kondensatoriaus radiatorių nuo apdulkinimo. Svarbu, kad filtras visuomet būtų švarus ir kad oras srautas galėtų laisvai judėti pro prietaisą. Filtras prireikus turi būti išvalomas.

- Išimkite filtrą.
- Išimkite filtrą ir nuplaukite po šiltu vandeniu. Taip pat galite nusiurbti filtrą.
- Leiskite filtrui nudžiūti ir įstatykite atgal į oro sausintuvą.

Valymas ir priežiūra

Norėdami nuvalyti oro sausintuvą naudokitės minkštomis ir sausomis šluostėmis. Galite naudoti ir švelnų valiklį norėdami nuvalyti smarkiai išteptas sausintuvo vietas, tačiau nenaudokite šlifavimo prietaisų ar skysčių. Ant sausintuvo nepilkite vandens.

Jeigu nenaudojate oro sausintuvo ilgą laiką tarpą:

- Išpilkite iš oro sausintuvo bakelio vandenį;
- Suriškite laidus ir įdėkite oro sausintuvą į dėžę;
- Išvalykite filtrą;
- Laikykite prietaisą sausoje aplinkoje.

Dėmesio! Prieš valydami oro sausintuvą visuomet ištraukite elek-

tros kištuką iš lizdo.

Patarimai

- Kai oro sausintuvą yra naudojamas ypatingai drėgnoje patalpoje arba patalpos temperatūra yra žemiau +100C, sausintuvą gali išsijungti. Didelis kiekis ledo užsideda ant šaldymo radiatoriaus. Išjunkite oro sausintuvą ir pastatykite šiek tiek aukščiau grindų lygio. Susidaręs ledas ištirps.
- Patalpoje naudokite šildytuvą siekdami, kad patalpos temperatūra nenukristų žemiau +50C.
- Siekdami maksimalaus sausinimo našumo kambaryje, uždarykite duris ir ventiliacijas į kitas patalpas.
- Padėkite prietaisą kambario viduryje.
- Padidinkite patalpos oro temperatūrą siekdami, kad sausintuvą greičiau atliktų darbą (šiltame ore yra daugiau vandens).
- Naudokite apsaugą nuo užšalimo jeigu manote, kad patalpos temperatūra gali nukristi žemiau +50C.
- Didesnis sausinimo našumas pasireiškia rudenį/žiema, kadangi lauko oras yra šiltas ir drėgnas.

Oro sausintuvo servisas

Jeigu oro sausintuvui reikia remonto, pirmiausia kreipkitės į pardavėją. Pirkimo dokumentai yra privalomi siekiant gauti garantiją.

Garantijos

Oro sausintuvui suteikiama 2 metų garantija. Garantija galioja nuo pirkimo datos ir tik pateikus pirkimą įrodantį dokumentą. Oro sausintuvai atitinka EEC direktyvas 76/889+82/499.

Rekomenduojamos sąlygos tinkamam oro sausintuvo veikimui: Temperatūros diapazonas – +50C - +350C; Santykinės drėgmės lygis – 30% - 80%;

Rekomenduojamas santykinis drėgmės lygis – apie 50%.

Techninės charakteristikos Wood`s M10G:

Maksimalus patalpų plotas	40 m ²
Rekomenduojamas plotas	2-30 m ²
Oro srautas	120 m ³ /val.
Našumas prie 300C ir 80% drėgmės lygio	10 l/dieną
Bakelio talpa	2 Liter
Šaltnešis	R290
Išmatavimai, L x W x H	276x185x480 mm
Svoris	9,5 kg
Garsumo lygis	42 dB
Darbo temperatūros diapazonas	+5C iki +35C

Problema	Priežastis	Sprendimas
Oro sausintuvas neveikia	Elektros laidas neįkištas į lizdą. Kambario temperatūra viršija +320C arba yra žemiau +50C.	Verbinden Sie die Maschine mit dem Stromnetz
Prietaisas neįsijungia	Užsikimšęs filtras Užsikimšusi oro įtraukimo arba išpūtimo anga.	Reinigen Sie den Filter
Nepučia oro	Užsikimšęs filtras	Reinigen Sie den Filter
Garsiai dirba	Užsikimšęs filtras Prietaisas pastatytas nelygiai	Schieben Sie die Maschine an einen flachen Untergrund
Klaidos kodas E1	Drėgmės jutiklio sutrikimai	Kontaktieren Sie Ihren Händler

Jeigu iškilusi problema nėra aprašyta, kreipkitės į pardavėją arba į kvalifikuotą servisą patikrinimui. Netaisykite oro sausintuvo patys, nes galite būti stipriai sužeisti.

Dėmesio!


Wood's oro sausintuvai privalo būti jungiami į elektros lizdą su įžeminimu.




Dėmesio: Jūsų produktas yra pažymėtas šiuo ženklu. Tai reiškia, kad panaudoti elektros ir elektronikos gaminiai neturėtų būti maišomi su įprastomis buities atliekomis. Tokiems gaminiams yra nustatytos atskiros surinkimo sistemos.



Viegli uzliesmojošs materiāls. Šī ierīce satur R290/propānu, kas ir viegli uzliesmojošs aukstumaģents. Informāciju par drošību skatiet šajā rokasgrāmatā. Gāzveida aukstumaģents R290 atbilst Eiropas direktīvām vides jomā. Necaurduriet un nededziniet. Apkopes un remonta darbi, kuros nepieciešama kvalificēta personāla palīdzība, ir jāveic viegli uzliesmojošu aukstumaģentu lietošanā apmācītu speciālistu uzraudzībā.

 Informāciju par drošību skatiet šajā rokasgrāmatā.

 Izlasiet tehnisko rokasgrāmatu


 Izlasiet operatora rokasgrāmatu.

INFORMĀCIJA PAR DROŠĪBU

Pirms ierīces uzstādīšanas un lietošanas uzmanīgi izlasiet komplektācijā ietverto instrukciju. Ražotājs neuzņemas atbildību par nepareizas

uzstādīšanas un lietošanas izraisītiem savainojumiem un bojājumiem. Vienmēr glabājiet instrukciju ierīces tuvumā turpmākai uziņai.

Bērnu un neaizsargātu personu drošība

BRĪDINĀJUMS  Savainojumu vai neatgriezeniskas invaliditātes risks.

Šo ierīci drīkst lietot bērni no 8 gadu vecuma un personas ar fiziskiem, maņu orgānu vai garīgiem traucējumiem, kā arī personas, kam nav nepieciešamās pieredzes un zināšanu, ja viņi ir saņēmuši praktisko apmācību vai norādījumus par ierīces lietošanu drošā veidā un saprot ar to saistītos apdraudējumus. Neļaujiet bērniem rotaļāties ar ierīci.

Bērni līdz 3 gadu vecumam nedrīkst tuvoties ierīcei, ja vien viņi netiek nepārtraukti uzraudzīti.

Sargājiet visu iepakojumu no bērniem.

Bērni nedrīkst bez uzraudzības veikt tīrīšanu un lietotāja apkopi.

Vispārējā drošība

Šī ierīce ir paredzēta lietošanai mājāsaimniecībās telpās un līdzīgās vietās, piemēram, vannas istabās, kā arī veikalos, birojos un

citu darbavietu darbinieku virtuves zonās. Nominālo tehnisko datu plāksnīte atrodas gaisa sausinātāja aizmugurē vai sānos. Nodrošiniet, lai ventilācijas atveres nebūtu nosprostotas.

Atkausēšanas procesa paātrināšanai neizmantojiet mehāniskas ierīces vai citus līdzekļus, ko nav ieteicis ražotājs.

Ierīci nedrīkst glabāt telpā, kur nepārtraukti ir aktīvi aizdegšanās avoti (piemēram, atklātas liesmas, aizdegta gāzes ierīces vai ieslēgts elektriskais sildītājs). Necaurduriet un nededziniet. Ņemiet vērā, ka aukstumaģentiem var nebūt smaržas. Ierīces tīrīšanai neizmantojiet ūdens smidzinātāju un tvaiku. Tīriet ierīci ar mitru mīkstu drānu. Izmantojiet tikai neitrālus mazgāšanas līdzekļus. Neizmantojiet abrazīvus produktus, abrazīvus tīrīšanas spilventiņus, šķīdinātājus vai metāla priekšmetus. Ja ir bojāts strāvas padeves vads, ražotājam, tā pilnvarotam apkopes centram vai līdzīgām kvalificētām personām tas ir jānomaina, lai novērstu apdraudējumu.

DROŠĪBAS NORĀDĪJUMI

Uzstādīšana

BRĪDINĀJUMS 

Šo ierīci drīkst uzstādīt tikai kvalificēta persona.

Noņemiet visu iepakojumu. Neuzstādiet un nelietojiet bojātu ierīci. Ierīce ir jāuzstāda, jālieto un jāglabā telpā, kur uz grīdas ir vismaz 4 m² brīvas vietas. Izpildiet ierīces komplektācijā ietvertajā uzstādīšanas instrukcijā sniegtos norādījumus.

Pārvietojot ierīci, vienmēr rīkojieties piesardzīgi, jo ierīce ir smaga. Vienmēr lietojiet aizsargcimdus.

Nodrošiniet, lai ap ierīci varētu cirkulēt gaiss.

Pirms ierīces pievienošanas strāvas avotam uzgaidiet vismaz 4 stundas. Tā ir jārikojas, lai eļļa varētu iepļūst atpakaļ kompresorā. Neuzstādiet ierīci radiatoru vai citu karstuma avotu tuvumā.

Neuzstādiet ierīci tiešā saules gaismā. Šī ierīce ir paredzēta tikai lietošanai telpās. Noteikti novietojiet ierīci uz stabilas un līdzenas virsmas. Ja virsma nav stabila, arī ierīce var nebūt stabila, var pārmērīgi vibrēt, kā arī no tās var izlīst ūdens.

Elektriskais savienojums**BRĪDINĀJUMS** 

Ugunsgrēka un elektriskās strāvas trieciena risks. Ierīce ir jāpievieno iezemētai kontaktligzdai.

Pārlicinieties, vai nominālo tehnisko datu plāksnītē norādītie elektrības dati atbilst strāvas avota parametriem. Ja tā nav, sazinieties ar elektriķi. Vienmēr izmantojiet pareizi uzstādītu triecienizturīgu kontaktligzdu.

Neizmantojiet vairāku ligzdu adapterus un pagarinātājus. Uzmanieties, lai nesabojātu elektriskās sastāvdaļas (piemēram, strāvas padeves kontaktdakšu un kabeli). Ja ir jānomaina elektriskās sastāvdaļas, sazinieties ar pilnvaroto apkopes centru vai elektriķi.

Strāvas padeves kabelim ir jāatrodas zemāk par strāvas padeves kontaktdakšu.

Pievienojiet strāvas padeves kontaktdakšu elektrotīkla kontaktligzdai tikai uzstādīšanas beigās.

Pēc uzstādīšanas pārlicinieties, vai var piekļūt strāvas padeves kontaktdakšai.

Nevelciet strāvas padeves kabeli, lai atvienotu ierīci. Vienmēr velciet strāvas padeves kontaktdakšu.

Lietošana**BRĪDINĀJUMS** 

Savainojumu, apdegumu, elektriskās strāvas trieciena vai ugunsgrēka risks. Nemainiet šīs ierīces tehniskos datus.

Uzmanieties, lai nesabojātu aukstumaģenta kontūru. Tas satur propānu (R290), kas ir dabasgāze ar augsta līmeņa saderību ar vidi. Šī gāze ir viegli uzliesmojoša.

Aukstumaģenta kontūra bojājumu gadījumā nodrošiniet, lai telpā nebūtu liesmu un uzliesmošanas avotu. Izvēdiniet telpu. Nenovietojiet uz ierīces vai tās tuvumā viegli uzliesmojošus produktus vai ar šādiem produktiem samitrinātus priekšmetus.

Likvidēšana**BRĪDINĀJUMS** 

Savainojumu risks. Atvienojiet ierīci no strāvas avota.

Nogrieziet strāvas padeves vadu un izmetiet to. Šīs ierīces aukstumaģenta kontūrs nav kaitīgs ozonam. Sazinieties ar pašvaldības iestādi, lai uzzinātu, kā pareizi likvidēt ierīci. Nesabojājiet siltummaiņa tuvumā esošo dzesēšanas bloka daļu. Vienmēr uzturiet ierīci tīru. Nenosedziet ierīci.

Paldies!

Paldies, ka izvēlējāties Wood's gaisa sausinātāju. Jūs esat viens no vairāk nekā 400 000 cilvēkiem, kuri ir izvēlējušies Wood's gaisa sausinātāju, lai novērstu pārmērīga mitruma un pelējuma radīto kaitējumu. Uzņēmuma Wood's tika izveidots 1950. gadā Kanādā, un tam ir vairāk nekā 60 gadu ilga pieredze gaisa sausinātāju izstrādē un ražošanā. Izvēloties Wood's gaisa sausinātāju, jūsu īpašumā nokļūs ierīce, kurai ir lieliska kvalitāte, izcila jauda un augsta efektivitāte – šī ierīce spēj ekstrahēt visvairāk litrus uz patērēto kWh.

Gaisa sausinātāja darbības principi

Wood's M10G ir gaisa sausinātājs ar kompresoru. Kad ventilators caur gaisa sausinātāju izvelk gaisu, gaisa šķērso kompresora dzesētāra vai spirāles. Spirāles dzesē ūdens tvaiku, ūdeni atdalot no gaisa.

No spirālēm ūdens pil leļup un tiek novadīts, izmantojot ūdens šļūteni. Pāri paliek sausais gaiss, kas tiek izpūsts telpā. Tā kā gaisa sausinātājs kondensē ūdens tvaiku, tiek atbrīvota siltuma enerģija. Tieši tādēļ gaisa sausinātājs ar kompresoru izvadīs sausu gaisu, kas ir īpaši noderīgs drēbju, veļas, koka utt. žāvēšanai.

Gaisa sausinātājs ar kompresoru ir energoefektīvākais veids, kā atbrīvoties no liekā mitruma un nevēlamām smakām. Lai uzturētu drošu un veselīgu iekštelpu vidi, relatīvā mitruma līmenim ir jābūt diapazonā no 50% līdz 60%.

1. Uzstādīšana un novietošana

Wood's gaisa sausinātājus ir viegli pārvietot uz jebkuru vietu, bet ņemiet vērā, tālāk norādītos nosacījumus.

- Gaisa sausinātāju nevajadzētu novietot blakus radiatoriem vai citiem siltuma avotiem vai novietot tiešos saules staros, jo tas ietekmēs gaisa sausinātāja veiktspēju.
- Lai maksimāli palielinātu gaisa plūsmu, gaisa sausinātājam ir jāatrodas

vismaz 25 cm attālumā no sienām un citiem šķēršļiem.

- Lai nodrošinātu optimālu darbību, novietojiet gaisa sausinātāju telpas centrā.
- Pārliecinieties, lai gaisa plūsma no ielūdes un izplūdes atverēm netiktu bloķēta.

Uzstādīšana

1. Novietojiet gaisa sausinātāju un līdzenas un stabilas virsmas – ieteicams telpas centrā.
2. Aizveriet visus logus un noslēdziet telpā esošās ventilācijas atveres. Pretējā gadījumā telpā turpinās ielūst mitrs gaiss no ārpusēs.
3. Pievienojiet gaisa sausinātāju iezemētai strāvas kontaktligzdai.

Ja gaisa sausinātāju pārvieto horizontāli, no kompresora var iztecēt eļļa, un tā var nokļūt noslēgtajā cauruļvadu sistēmā. Šādā gadījumā pirms gaisa sausinātāja izmantošanas ļaujiet, lai tas dažas stundas pastāv vertikālā pozīcijā. Ir ļoti svarīgi, lai eļļa satecētu atpakaļ kompresorā, citādi gaisa sausinātājs var tikt nopietni bojāts.

2. M10G lietošana

Vadība ar higrostatu

Šī ierīce darbosies tikai tad, kad apkārtējā gaisa mitrums pārsniedz jūsu iestatīto vērtību.

Automātiska atkārtota ieslēgšana

Strāvas padeves pārtraukuma gadījumā ierīce turpinās darboties atbilstoši pēdējiem iestatījumiem, tiklīdz strāvas padeve būs atjaunota.

Automātiskā atkausēšana

Ierīce tiks automātiski atkausēta, kad tas būs nepieciešams, un pēc atkausēšanas pabeigšanas atsāks darbību.

Atkausēšanas laikā kompresors izslēdzas un deg atkausēšanas indikators.

Ieslēdziet gaisa sausinātāju un apturiet tā darbību, nospiežot pogu ON/OFF (iesl./izsl.).

Kompresora darbības laikā deg kompresora indikatora.

Vēlamā mitruma iestatīšana

Nospiediet AUGŠUPVĒRSTO un LEJUPVĒRSTO bultiņu, lai izvēlētos vajadzīgo mitruma līmeni diapazonā no 30% līdz 90%. Sasniedzot vēlamā mitruma līmeni, gaisa sausinātājs izslēgsies. Iestatītā vērtība dažas sekundes tiek parādīta displejā. Pēc tam displejā atkal būs redzams apkārtējās vides gaisa mitruma līmenis. Lai sausinātājs darbotos nepārtraukti, nospiediet LEJUPVĒRSTO bultiņu, līdz displejā tiek parādīts CO. Pastāvīgas darbības režīmā ierīce darbosies nepārtraukti neatkarīgi no telpas mitruma.

Ja apkārtējās vides gaisa mitruma līmenis ir zemāks par 35%, displejā būs redzams LO. Ja apkārtējās vides gaisa mitruma līmenis ir virs 95%, displejā tiks parādīts HI.

PIEZĪME. Sasniedzot vēlamā gaisa mitruma līmeni, pirms izslēgšanas ventilators darbosies dažas minūtes.

Automātiskas izslēgšanas taimera iestatīšana

Vairākas reizes nospiediet taimera pogu, lai aktivizētu taimeri automātiskai ierīces izslēgšanai diapazonā no 1 līdz 24 stundām. Kad taimeris ir aktivizēts, deg taimera indikators. Iestatītā vērtība dažas sekundes tiek parādīta displejā. Pēc tam displejā atkal būs redzams apkārtējās vides gaisa mitruma līmenis. Nospiediet taimera pogu, līdz displejā tiek parādīts 0 un taimera indikators izslēdzas, lai ierīci deaktivizētu. Lai ierīci ieslēgtu, ja tā iepriekšējā reizē ir izslēgta ar taimeri, jānospiež iesl./izsl. poga.

4. Ūdens notecināšana

Kad ūdens tvertne ir pilna, gaisa sausinātājs automātiski izslēdzas.

Pēc ūdens tvertnes iztukšošanas ierīce automātiski tiks ieslēgta.

1. Atvienojiet gaisa sausinātāju no strā-

vas avota.

2. Iztukšojiet ūdens tvertni.
3. Ievietojiet ūdens tvertni atpakaļ un pārbaudiet, vai pludiņš kustas brīvi.
4. Pievienojiet gaisa sausinātāju pie strāvas avota.

Tieša ūdens novadīšana

Pievienojiet ūdens šļūteni (10 mm) caurulei gaisa sausinātāja aizmugurē. Otru šļūtenes galu novietojiet ūdens noteces vietā. Pārļiecinieties, ka ūdenim ir iespējams aiztecēt prom lejup.

5. Gaisa filtrs

Gaisa filtrs novērš putekļu un netīrumu iekļūšanu ierīcē, pagarinot tās paredzēto kalpošanas laiku. Svarīgi, lai filtrs tiktu regulāri tīrīts. Filtra tīrīšana

1. Izņemiet filtru.
2. Mazgājiet filtru ar siltu ūdeni un maigu tīrīšanas līdzekli. Cita iespēja ir filtru izsūkt ar putekļu sūcēju.
3. Ļaujiet filtram izžūt un ievietojiet to atpakaļ.

Filtra regulāra tīrīšana ir ļoti svarīga; citādi gaisa sausinātājs var zaudēt jaudu un pastāv pat tā nopietnu bojājumu risks.

6. Uzturēšana

- Notīriet ierīci ar mīkstu, mitru drānu. Neizmantojiet šķīdinātājus vai spēcīgus tīrīšanas līdzekļus, jo tādējādi var bojāt ierīces virsmu.

- Dzesēšanas spirāles ļoti ieteicams tīrīt ar drānu un siltu ūdeni.

7. Tehniskā apkope

Ja gaisa sausinātājam ir nepieciešama tehniskā apkope, jums vispirms ir jāsasinaš ar vietējo mazumtirgotāju. Visām garantijas prasībām ir nepieciešams pirkuma apliecinājums.

8. Garantijas

2 gadu lietotāja garantija pret ražošanas kļūmēm. Lūdzu, ņemiet vērā, ka garantija ir derīga, tikai uzrādot pirkuma čeku. Garantija ir spēkā tikai tad, ja ierīce tiek izmantota atbilstoši šajā rokasgrāmatā sniegtajiem norādījumiem un brīdinājumiem par drošību. Garantija neattiecas uz jebkādiem bojājumiem, kas radušies nepareizas rīcības dēļ ar ierīci.

PIEZĪME: 2 gadu garantija attiecas tikai uz lietošanu mājāsaimniecībā, nevis uz ierīces komerciālu izmantošanu.

Šī ierīce atbilst EEK Direktīvām 76/889 + 82/499.

Ierīce ir iestatīta darbībai temperatūrā no + 5 °C līdz + 35 °C.

Ja temperatūra pārsniedz šo diapazonu, ierīce var nedarboties pareizi.

9. Padomi

Dažreiz var būt noderīgi izmantot pretsasalšanas pārsegu vai sildītāju ar ventilatoru, lai nepieļautu, ka ierīces temperatūra pazeminās zem +10 °C. Pat tad, ja M10G darbojas tik zemā temperatūrā kā + 5 °C, augstāka temperatūrā tā jauda palielināsies, jo siltais gaiss pārvieto vairāk ūdens.

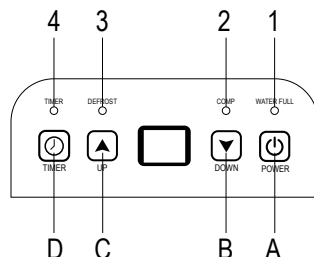
Lai nodrošinātu augstāko gaisa sausināšanas efektivitāti telpā, ir ieteicams samazināt gaisa ieplūšanu no ārpuses un blakus esošajām telpām, aizverot durvis un noslēdzot ventilācijas atveres.

Augstāka gaisa sausināšanas jauda ir rudens/vasaras laikā, jo ārējais gaiss ir siltāks un mitrāks.

Lai aizsardzība pret pelējuma un mitruma radītiem bojājumiem būtu droša un uzticama, relatīvajam gaisa mitrumam jābūt diapazonā no 50% līdz 60%.

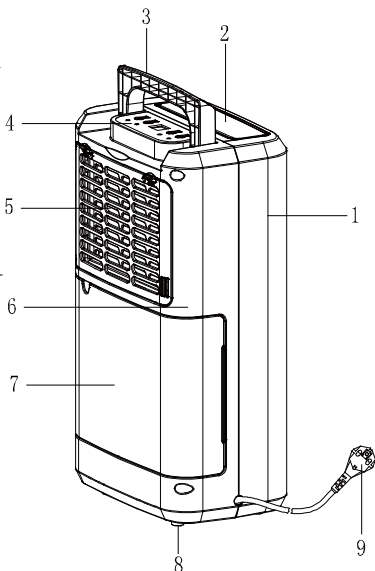
Sastāvdaļas

1. Priekšējais apvalks
2. Izplūde
3. Rokturis
4. Vadības panelis
5. Filtra kārbā
6. Aizmugurējais apvalks
7. Tvertne
8. Gumijas kājas
9. Strāvas vads



LIETOŠANAS INSTRUKCIJA LED INDIKATORI

- | | |
|---------------------|---------|
| 1. PILNAS ŪDENS | |
| TVERTNES LED | Sarkans |
| 2. KOMPRESORA LED | Zils |
| 3. ATKAUSĒŠANAS LED | Zils |
| 4. TAIMERA LED | Zaļš |



DAĻAS





Mitruma līmeņa un taimera 2 ciparu displejs



Šim displejam ir 3 funkcijas:


1. Ja iestatāt mitrumu, displejā būs redzama atlasītā mitruma vērtība.
2. Ja ieprogrammējat ierīces ieslēgšanās un izslēgšanās laiku, displejā būs redzamas stundas.
3. Ja vides mitrums ir zemāks nekā 35%, displejā būs redzams "LO".
4. Ja vides mitrums ir augstāks nekā 95%, displejā būs redzams "HI".



Funkciju pogas


- A. Iesl./izsl. poga 
- B. Zemākas vērtības iestatīšanas poga 
- C. Augstākas vērtības iestatīšanas poga 
- D. Taimera poga 

LIETOŠANAS INSTRUKCIJA

1. Pievienojiet ierīci.

2. Lai sāktu darbību, vienu reizi nospiediet  pogu. Nospiediet pogu vēl vienu reizi, lai darbību pārtrauktu.

3. Nospiediet pogu  vai , lai iestatītu telpā vēlamo mitruma līmeni; mitruma līmeni var iestatīt diapazonā no 30% līdz 90% ar 5% intervāliem. Pēc ierīces darbības laika, kad apkārtējās vides mitrums būs par 2% zemāks nekā atlasītais mitrums, kompresors apstāsies un ventilators pārtrauks darboties 3 minūtes vēlāk; Ja vides mitrums ir vienāds ar vai lielāks nekā par 3% no atlasītās mitruma vērtības, kompresors tiks atkal ieslēgts, tiklīdz beigsies 3 minūšu kompresora aizsardzības laiks.

4. Nospiežot pogu , var iestatīt taimeri: Nospiediet šo pogu, lai programmētu laiku, kad ierīcei ir jāieslēdzas un jāizslēdzas. Ja vēlaties atcelt taimera programmēšanu, nospiediet pogu, lai noregulētu laiku uz 00, un pēc tam nospiediet pogu; pēc tam tiks parādīts secīgs laiks 00-01-02 23-24. Tas ir programmētais laiks ierīces ieslēgšanai/izslēgšanai. Katru reizi manuāli ieslēdzot kompresoru, programmētais laiks tiks atcelts. Ja ierīce pārtrauc darbību pilnas ūdens tvertnes dēļ vai atkausēšanas laikā, programmētais laiks paliek nemainīgs.

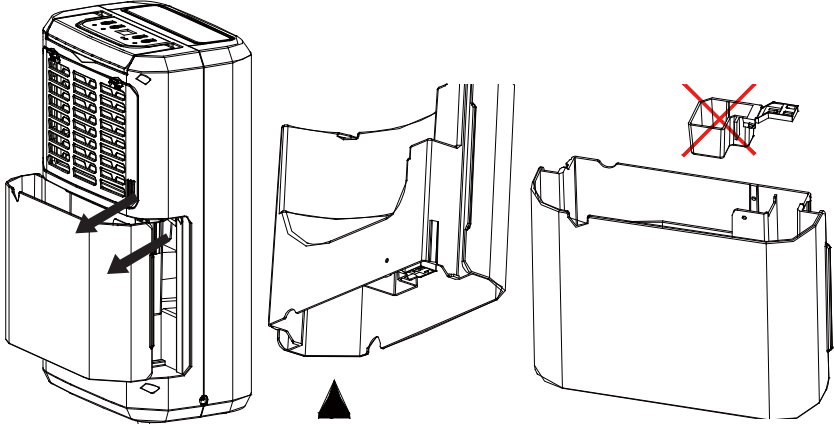
Piezīme: Kad apkārtējā gaisa mitrums sasniedz iepriekš iestatīto, gan kompresors, gan ventilatora motors vispirms apstāsies uz 60 minūtēm, un pēc tam ventilatora motors darbosies 3 minūtes, lai noteiktu mitrumu, ja tas ir lielāks par iestatīto, gan kompresors, gan motors atkal darbosies; Ja tas ir zemāks par iestatīto, tad gan kompresors, gan dzinējs tiek izslēgts uz 60 minūtēm, un pēc tam motors atkal darbojas 3 minūtes; "

UZKRĀTĀ ŪDENS NOTECINĀŠANA

Kad notecināšanas tvertne ir pilna, iedegsies pilnas tvertnes indikators. Darbība tiks automātiski pārtraukta un 15 reizes atskanēs zumbiera signāls, lai brīdinātu lietotāju, ka no notecināšanas tvertnes ir jāiztukšo ūdens.

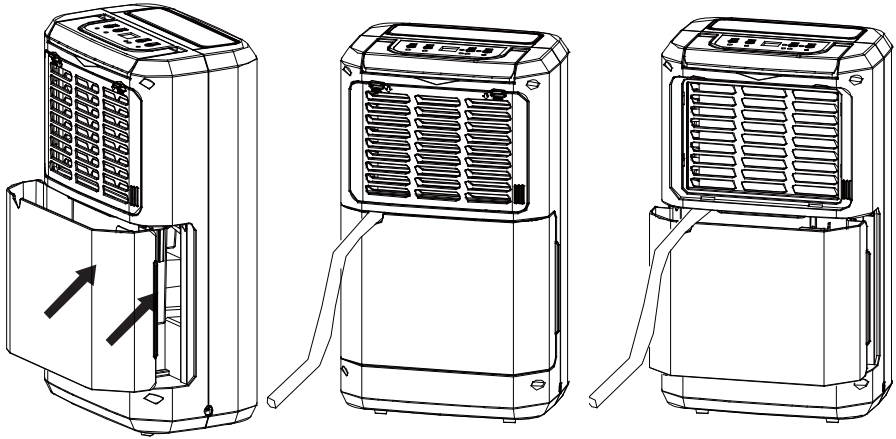
Notecināšanas tvertnes iztukšošana

1. Ar abām rokām viegli piespiediet tvertnes sānos un uzmanīgi izvelciet tvertni.
2. Atbrīvojieties no savāktā ūdens.



IEVĒROJIET!

1. Neizņemiet pludiņu no ūdens tvertnes. Bez pludiņa pilnas ūdens tvertnes sensors vairs nespēs pareizi noteikt ūdens līmeni, un no ūdens tvertnes var noplūst ūdens.
2. Ja notecināšanas tvertne ir netīra, mazgājiet to ar aukstu vai remdenu ūdeni. Neizmantojiet mazgāšanas līdzekļus, tīrīšanas spilventiņus, ķīmiski apstrādātas putekļu drānas, benzīnu, benzolu, atšķaidītāju vai citus šķīdinātājus, jo tie var saskrāpēt un sabojāt tvertni, izraisot ūdens noplūdi.
3. Nomainot notecināšanas tvertni, ar abām rokām stingri iespiediet tvertni vietā. Ja tvertne nav novietota pareizi, tiks aktivizēts sensors TANK FULL (Pilna tvertne) un gaisa sausinātājs nedarbosies.



Pastāvīga ūdens notecināšana

Izmantojiet plastmasas cauruli, kuras iekšējais diametrs ir 10 mm, un ievietojiet to ūdens novadīšanas atverē. Ūdens novadīšanas atvere atrodas ūdens tvertnes augšējā kreisajā stūrī. Pārlicinieties, ka plastmasas caurule novadīšanas atverē ir ievietota pareizi.

Ūdeni notecināšanas tvertnē var nepārtraukti izvadīt, izmantojot ierīces pastāvīgās ūdens novadīšanas atveri.

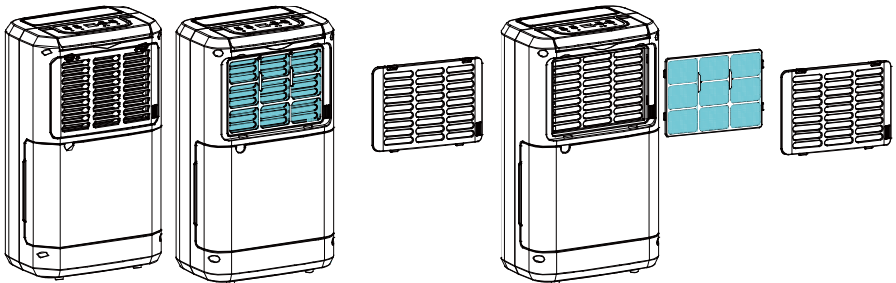
UZTURĒŠANA

Gaisa sausinātāja tīrīšana

Korpusa tīrīšana Tīriet korpusu ar mīkstu, mitru drānu.

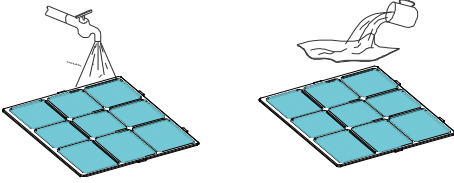
Gaisa filtra tīrīšana

1. Vispirms atveriet ietilpdes režģi un izņemiet gaisa filtru.



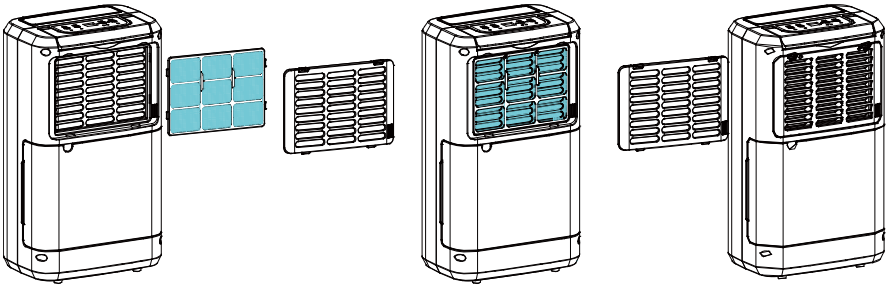
2. Iztīriet gaisa filtru.

Viegli pārlaidiet putekļu sūcēju pār gaisa filtra virsmu, lai notīrītu netīrumus. Ja gaisa filtrs ir īpaši netīrs, mazgājiet to ar siltu ūdeni un maigu tīrīšanas līdzekli un kārtīgi izžāvējiet.



3. Gaisa filtra pievienošana

Līdzieni ievietojiet filtru režģī un ievietojiet iepļūdes režģi pareizajā vietā.



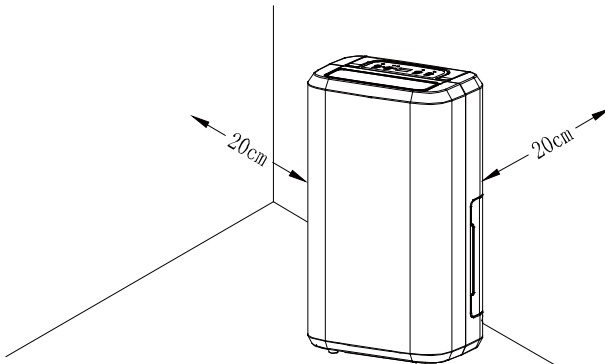
Gaisa sausinātāja uzglabāšana

Ja ierīce ilgstoši netiek izmantota un vēlaties to uzglabāt, veiciet šādas darbības.

1. Iztukšojiet visu ūdeni no notecināšanas tvertnes.
2. Salokiet strāvas padeves vadu un ievietojiet to ūdens tvertnē.
3. Izīrīet gaisa filtru.
4. Uzglabājiet vēsā un sausā vietā.

Atstatums

Kad ierīce darbojas, uzturiet minimālo atstatumu ap gaisa sausinātāju, kā parādīts attēlā kreisajā pusē.



PROBLĒMU NOVĒRŠANA

Ja rodas kāds no tālāk uzskaitītajiem apstākļiem, pirms zvanīt klientu apkalpošanas dienestam, lūdzu, pārbaudiet, vai nav spēkā kāds no šiem nosacījumiem.

Problēma	Iespējamais iemesls	Risinājums
Ierīce nedarbojas	Vai strāvas vads ir pievienots?	Iespraudiet strāvas vadu kontaktligzdā.
	Vai mirgo pilnas tvertnes indikācijas lampiņa? (Tvertne ir pilna vai atrodas nepareizā pozīcijā.)	Iztukšojiet ūdeni no notecināšanas tvertnes un pēc tam atlieciet tvertni vietā.
	Vai temperatūra telpā ir virs 35 °C vai zem 5 °C?	Aizsardzības ierīce ir aktivizēta, un ierīci nevar iedarbināt.
Gaisa sausināšanas funkcija nedarbojas	Vai gaisa filtrs nav nosprostots?	Iztīriet gaisa filtru, kā norādīts sadaļā "Gaisa sausinātāja tīrīšana".
	Vai iepļūdes vai izpļūdes kanāls nav nosprostots?	Likvidējiet nosprostojumu izpļūdes kanālā vai iepļūdes kanālā.
Gaiss netiek izvadīts	Vai gaisa filtrs nav nosprostots?	Iztīriet gaisa filtru, kā norādīts sadaļā "Gaisa sausinātāja tīrīšana".
Darbība ir trokšņaina	Vai ierīce ir sasvērta vai nestabila?	Pārvietojiet ierīci uz stabilu, stingru vietu.
	Vai gaisa filtrs nav nosprostots?	Iztīriet gaisa filtru, kā norādīts sadaļā "Gaisa sausinātāja tīrīšana".
"E1" kļūdas kods	Atkausēšanas sensora kļūme.	Nomainiet atkausēšanas sensoru.

Wood's M10G tehniskie dati

Maks. darbības zona	40 m ²
Ieteicamais telpas lielums	2–30 m ²
Gaisa plūsma	120 m ³ /h
Tilpums (temperatūrā 30 °C un 80% RM)	10 litri
Jauda	280 W
Tvertnes tilpums	2 litri
Trokšņa līmenis	42 dB
Darba temperatūra	+5 °C līdz +35 °C
Ventilatora ātrums	1
Izmēri, G x P x A	276 x 185 x 480 mm
Svars	9,5 kg
Aukstumaģents	R290
IP kods	IP21



Šis marķējums norāda, ka ES valstīs šo produktu nedrīkst izmest kopā ar sadzīves atkritumiem. Lai novērstu nekontrolētas atkritumu izmešanas izraisīto iespējamo kaitējumu videi un cilvēku veselībai, izmantojiet produktu atbildīgi, lai veicinātu materiālu resursu ilgtspējīgu izmantošanu. Nododiet ierīci pārstrādei, izmantojot vietējās atgriešanas un savākšanas sistēmas, vai sazinieties ar mazumtirgotāju, pie kura attiecīgo ierīci iegādājāties. Mazumtirgotājs var parūpēties par videi drošu produkta atkārtotu pārstrādi.



Tuleohtlik materjal. Antud seade sisaldab R290/propaani, mis on tuleohtlik külmaaine. Ohutusteavet leiata käesolevast kasutusjuhendist. Külmaaine R290 vastab Euroopa keskkonnaalastele direktiividele. Ärge torgake läbi ega põletage. Muude kvalifitseeritud töötajate abieeldav hooldus ja remont tuleb läbi viia tuleohtlike külmaainete spetsialistide järelevalve all.



Ohutusteavet leiata sellest juhendist



Lugege tehnilist juhendit



Lugege kasutusjuhendit.

OHUTUSALANE TEAVE

Enne seadme paigaldamist ja kasutamist lugege komplektis olev juhend hoolikalt läbi. Tootja ei ole vastutav valest paigaldusest ja kasutusest tingitud kahvigastuste ning kahjude eest. Hoidke kasutusjuhend tulevikus kasutamiseks alati

seadme juures.

Laste ja haavatavate isikute ohutus

HOIATUS

Kehavigastuste või püsiva tervisekahjustuse oht. Antud seadet võivad kasutada 8-aastased ja vanemad lapsed ning väiksemate füüsiliste, sensoorsete või vaimsete võimetega isikud või vastavate kogemusteta ja teadmisteta isikud, kui nad teevad seda järelevalve all või neile on õpetatud seadme ohutut kasutamist ning nad mõistavad seonduvaid ohtusid. Ärge laske lastel seadmega mängida.

Alla 3-aastased lapsed tuleb hoida seadmest eemal, välja arvatud pideva järelevalve puhul. Hoidke kõiki pakendusdetaile lastele kättesaamatult. Lapsed ei tohi ilma järelevalveta seadet puhastada ja hooldada.

Üldine ohutus

Antud seade on mõeldud kasutamiseks majapidamistes ja sarnastes kohtades, nagu näiteks keldrid, töötajate kööginurgad poodides, kontorites ning muudes töökohtades. Andmeplaat paikneb õhukuivati taga või küljel. Vältige ventilatsioonivade blokeerimist.

Ärge kasutage sulatuse kiirendamiseks mehaanilisi seadmeid või muid meetodeid, mis pole tootja poolt soovitatud. Seadet ei tohi hoiustada ruumis, kus on pidevalt töötavad tuleallikad (nt lahtine tuli, töötav gaasiseade või töötav elektriline küttekeha). Ärge torgake läbi ega põletage. Võtke arvesse, et külmutusagendid võivad olla lõhnutud. Ärge piserdage seadet puhastamiseks veega ega kasutage auru. Puhastage seadet niiske lapiga. Kasutage ainult neutraalseid pesuvahendeid. Ärge kasutage abrasiivseid tooteid, abrasiivseid puhastuslappi, lahusteid ega metallesemeid. Kui elektritoitejuhe on kahjustatud, peab selle ohu vältimiseks vahetama tootja, tootja poolt volitatud teeninduskeskus või sarnase kvalifikatsiooniga isikud.

OHUTUSALASED JUHISED

Paigaldus

HOIATUS

Antud seadet võib paigaldada ainult kvalifitseeritud isik. Eemaldage kõik pakendusdetailid. Ärge paigaldage ega kasutage kahjustatud seadet. Seade tuleb paigaldada ja seda kasutada

ning hoiustada ruumis, mille pindala on suurem kui 4 m². Järgige seadmega komplektis olevat paigaldusjuhendit. Olge seadme liigutamisel alati ettevaatlik, kuna see on raske. Kandke alati kaitsekindaid.

Kindlustage, et õhk pääseks seadme ümber liikuma. Oodake enne seadme elektritoitega ühendamist vähemalt 4 tundi. See võimaldab õlil tagasi kompressorisse voolata. Ärge paigaldage seadet radiaatorite või muude küttekehade lähedusse. Ärge paigaldage seadet otsese päikesevalguse kätte. See seade on mõeldud ainult siseruumides kasutamiseks. Veenduge, et seade on asetatud stabiilsele ja tasasele pinnale. Kui pind ei ole stabiilne, on oht seadme ebastabiilsuse tekkeks, mis põhjustab liigset vibratsiooni ja vee eraldumist.

Elektriühendus

HOIATUS

Tulekahju ja elektrilöögi oht. Seade tuleb ühendada maandusega pistikupessa. Kindlustage, et elektritoide vastaks andmeplaadil toodud elektriandmetele. Kui see nii pole, võtke

ühendust elektrikuga. Kasutage alati õigesti paigaldatud elektrilöögikindlat pistikupesa.

Ärge kasutage jaoturadaptereid ja pikendusjuhtmeid. Kindlustage, et te ei kahjustaks elektrilisi komponente (nt elektritoitepistik, elektritoitekaabel).

Elektriliste komponentede vahetamiseks võtke ühendust volitatud teeninduskuse või elektrikuga.

Elektritoitejuhe peab jääma elektritoitepistikust madalamale.

Ühendage elektritoitepistik pistikupessa alles paigalduse lõpus.

Kindlustage, et pärast paigaldamist oleks võimalik elektritoitepistikule ligi pääseda.

Ärge tõmmake seadme vooluvõrgust lahti ühendamiseks elektritoitekaablist. Tõmmake alati elektritoitepistikust.

Kasutus

HOIATUS

Kehavigastuste, põletuste, elektrilöögi või tulekahju oht.

Ärge muutke seadme tehnilisi omadusi.

Olge ettevaatlik, et mitte kahjustada külmutusagensi torustikku. See sisaldab propaani (R290), looduslikku gaasi, millele rakenduvad ranged keskkonnanõuded. See gaas on kergestisüttiv.

Kui külmutusagensi torustik saab vigastada, kindlustage, et ruumis ei oleks lahtist tuld ega süüteallikaid.

Õhutage ruumi.

Ärge pange seadme lähedale ega selle peale kergestisüttivaid tooteid ega esemeid, mis on kergestisüttivate vedelikega koos.

Kasutuselt kõrvaldamine

HOIATUS

Kehavigastuste oht.

Ühendage seade vooluvõrgust lahti.

Eemaldage elektritoitekaabel ja kõrvaldage see kasutuselt.

Antud seadme külmutusagensisüsteem on osoonisõbralik. Võtke ühendust vastava kohaliku asutusega, et saada teavet selle kohta, kuidas seade nõuetekohaselt kasutuselt kõrvaldada. Ärge kahjustage jahutusseadme osa, mis paikneb soojusvaheti lähedal. Veenduge alati, et seadet hoitaks puhtana. Ärge katke seadet kinni.

Täname teid

Täname, et valisite Wood'si õhukuiivati. Olete üks rohkem kui 400 000 inimesest, kes on valinud Wood'si õhukuiivati, et vältida liigeste niiskusest ja hallitusest tingitud kahjustusi. 1950. aastal Kanadas asutatud Wood'sil on rohkem kui 60-aastane kogemus õhukuiivate arendamise ja tootmise alal. Valides Wood'si õhukuiivati saate suurepärase kvaliteediga, suure võimsusega seadme, mis eemaldab õhust kõige rohkem liitrit vett tarbitud kilovatt-tunni kohta.

Teie õhukuiivati töö

Wood's M10G on kompressorkuiivati. Ventilatori abil imetakse õhk läbi õhukuiivati ning õhk liigub üle kompressori abil jahutatavate vaskspiraalide. Spiraalid jahutavad veeauru, eraldades vee õhust.

Vesi tilgub spiraalidelt alla ja eemaldatakse veevooliku abil. Järgi jääb kuiv õhk, mis puhutakse ruumi. Kui õhukuiivati veeauru kondenseerib, eraldub soojusenergia. Seetõttu puhub kompressor-õhukuiivati välja kuiva õhku, mis on eriti kasulik riiete, pesu, puidu jne kuivatamiseks.

Kompressorkuiivati on kõige energiatõhusam viis liigse niiskuse ja halva lõhna eemaldamiseks. Ohutu ja tervisliku sisekeskkonna säilitamiseks hoidke suhteline õhuniiskus vahemikus 50–60%.

1. Paigaldus ja paigutamine

Wood'si õhukuiivateid on hõlbus ümber paigutada, kuid pidage silmas järgmist.

- Õhukuiivat ei tohi asetada radiaatorite või muude soojusallikate kõrvale ega otsese päikesevalguse kätte, kuna see vähendab seadme jõudlust.
- Õhuvoolu maksimeerimiseks paigutage seintest ja muudest takistustest vähemalt 25 cm kaugusele.
- Optimaalse jõudluse tagamiseks asetage õhukuiivati ruumi keskele.

- Veenduge, et õhuvool sissetõmbega väljalaskeavast poleks blokeeritud.

Paigaldus:

1. Aasetage õhukuiivati tasasele ja kindlale pinnale, eelistatavalt ruumi keskele.
2. Sulgege ruumis kõik aknad ja lülitage välja ventilatorid. Vastasel juhul voolab ruumi väljast jätkuvalt niiske õhk.
3. Ühendage õhukuiivati maandatud elektritoiteallikasse.

Õhukuiivati transportimisel horisontaalses asendis võib õli voolata kompressorist välja ja suletud torustiku süsteemi. Sellisel juhul laske õhukuiivatil mõned tunnid enne kasutamist seista. On väga oluline, et õli voolaks tagasi kompressorisse, vastasel juhul võib õhukuiivati saada tõsiselt kahjustada.

2. M10G kasutamine

Hügrostaadiga juhitav

Seade töötab ainult siis, kui ümbritseva õhuniiskus ületab teie seatud väärtuse.

Automaatne taaskäivitamine

Elektrikatkestuse korral jätkab seade teie taastumisel tööd vastavalt teie poolt seatud värskeimatele seadetele.

Automaatne sulatamine

Seade sulatub vajaduse korral automaatselt ja jätkab tööd, kui sulatus on lõpule viidud.

Sulatamisel lülitub kompressor välja ja sulatuse näidikutuli põleb.

Õhukuiivati käivitamiseks ja seiskamiseks vajutage nuppu ON/OFF.

Kui kompressor töötab, siis kompressori märgutuli põleb.

Valige soovitud õhuniiskus

Vajutage UP (üles) ja DOWN (alla) nooli, et valida soovitud niiskustase

vahemikus 30% kuni 90%. Õhukuiivati lülitub välja, kui soovitud niiskustase on saavutatud. Määratud väärtust kuvatakse ekraanil mõne sekundi jooksul. Pärast seda kuvab ekraan jälle ümbritseva õhuniiskuse taset. Õhukuiivati pidevaks töötamiseks vajutage DOWN-nooli, kuni ekraanile ilmub CO. Pideva töö funktsiooni korral jätkab masin töötamist sõltumata ruumi õhuniiskuse tasemest.

Kui ümbritseva õhu niiskustase on alla 35%, kuvatakse ekraanil LO (madal). Kui ümbritseva õhuniiskuse tase on üle 95%, kuvatakse ekraanil HI (kõrge).

MÄRKUS: Kui soovitud niiskustase on saavutatud, töötab ventilator enne väljalülitamist veel paar minutit.

Automaatse väljalülituse taimeri seadistamine

Vajutage korduvalt taimerinuppu, et aktiveerida automaatse väljalülitamise taimer vahemikus 1 kuni 24 tundi. Aktiveerituna süttib taimeri tuli. Määratud väärtust kuvatakse ekraanil mõne sekundi jooksul. Pärast seda kuvab ekraan jälle ümbritseva õhuniiskuse taset. Deaktiveerimiseks vajutage taimeri nuppu, kuni ekraanile kuvatakse 0 ja taimeri tuli kustub. Kui seade on taimeri tõttu välja lülitatud, peate seadme taaskäivitamiseks vajutama taitenuppu.

4. Vee eemaldamine

Kui veepaak on täis, siis õhukuiivati lülitub automaatselt välja.

Kui veepaak on tühjendatud, käivitub seade automaatselt uuesti.

1. Eemaldage õhukuiivati elektrivõrgust.
2. Tühjendage veepaak.
3. Asetage tühi veepaak tagasi ja veenduge, et ujuk liiguks vabalt.
4. Lülitage õhukuiivati elektrivõrku.

Vee otsene äravool

Ühendage veevoolik (10 mm) õhukuiivati tagaküljel asuva toruga. Viige teine ots kanalisatsiooni. Veenduge, et vee äravool oleks allasuunaline.

5. Õhufilter

Õhufilter hoiab ära tolmu ja mustuse sattumise masinasse, pikendades selle eluiga. On oluline, et filtrit puhastataks regulaarselt. Filtri puhastamine:

1. Eemaldage filter.
2. Peske seda sooja veega ja kerge puhastusainega. Filtri võib puhastada ka tolmuimejaga.
3. Laske filtril ära kuivada ja asetage tagasi õhukuivatisse.

On väga oluline, et filtrit puhastataks regulaarselt; vastasel juhul võib õhukuivati kaotada võimsuse ja saada isegi tõsiselt kahjustada.

6. Hooldus

– Puhastage seadet pehme niiske lapiga. Ärge kasutage lahusteid ega tugevaid puhastusvahendeid, sest see võib kahjustada seadme pinda.

– Jahutusradiaatorit on kõige parem puhastada sooja vee ja lapiga.

7. Remont

Kui õhukuivati on vaja remontida, pöörduge esmalt oma kohaliku jaemüüja poole. Garantii kehtib vaid ostu tõendavate dokumentide esitamise korral.

8. Garantii

2 aastane tarbijagarantii tootmisvigade korral. Pange tähele, et garantii kehtib ainult kviitungi esitamisel. Garantii kehtib ainult juhul, kui toodet kasutatakse käesolevas juhendis esitatud juhiste ja turvahoiate kohaselt. Garantii ei kata kahjustusi, mis on põhjustatud toote väärast käitlemisest.

TÄHELEPANU! 2-aastane garantii kehtib ainult tarbijate puhul, mitte seadme kaubanduslikul eesmärgil kasutamise korral.

Õhukuivati vastab EMÜ direktiividele 76/889+82/499.

Seade on seadistatud töötama vahemikus +5 °C kuni + 35 °C.

Kui temperatuur on väljaspool seda vahemikku, ei pruugi seade korralikult töötada.

9. Näpunäiteid

Mõnikord on kasulik kasutada jäätmisvastast vahendit või soojapuhurit, et ruumi temperatuur ei langeks alla +10 °C. Kuigi M10G töötab nii madalate temperatuurideni kuni +5 °C, suureneb seadme suutlikkus kõrgetel temperatuuridel, kuna soe õhk kannab rohkem vett.

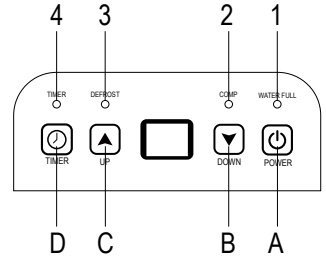
Maksimaalse kuivatustootlikkuse saavutamiseks soovime vähendada õuest ja külgnevatest ruumidest tulevat õhuvoolu – sulgege toas ukсед ja ventilaatorid.

Sügisel/suvel on kuivatustootlikkus suurem, kuna välisõhk on soojem ja niiskem.

Ohutu ja usaldusväärse kaitse saamiseks hallitusest ja niiskusest tingitud kahjustuste eest hoidke suhtelist õhuniiskust vahemikus 50–60%.

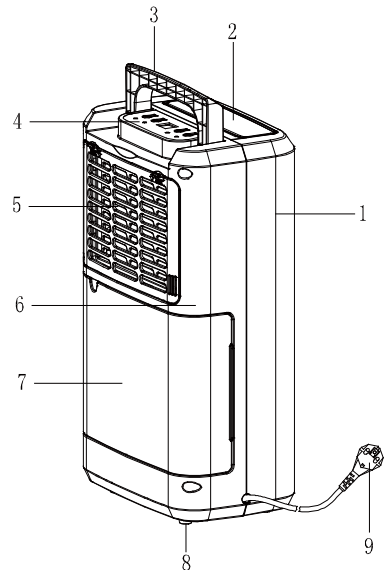
OSAD

- Seadme osad
1. Korpuse esiosa
 2. Väljapuhe
 3. Käepide
 4. Juhtpaneel
 5. Filtriboks
 6. Korpuse tagumine osa
 7. Paak
 8. Kummist jalad
 9. Toitejuhe



KASUTUSJUHE LED-INDIKAATORITULED

1. WATER FULL (Veepaak täis) Punane
2. COMP (Kompressor) Sinine
3. DEFROST (Sulatus) Sinine
4. TIMER (Taimer) Roheline







Niiskustaseme ja taimeri kahenumbriline ekraan

Indikaatoril on 3 funktsiooni:



1. kui seadistate õhuniiskuse, näitab see teie valitud õhuniiskust;
2. kui programmeerite seadme sisse- ja väljalülitusaja, näitab see tunde;
3. kui keskkonna õhuniiskus on alla 35%, kuvatakse sellel „LO“ („Madal“);
4. Kui keskkonna niiskus on kõrgem kui 95%, kuvatakse sellel „HI“ („Kõrge“).


Funcitiile butoanelor

- | | |
|-------------------------------------|---|
| A. buton pornire - oprire |  |
| B. Buton setare valori Descrescator |  |
| C. Buton setare valori Crescator |  |
| D. Buton timer |  |

KASUTUSJUHE**1. Ühendage seade vooluvõrku.**

2. Töö alustamiseks vajutage nuppu  üks kord. Töö peatamiseks vajutage seda uuesti.

3. Vajutage nuppu  või , et seadistada ruumis soovitud niiskuse tase, mida saab seada vahemikus 30% kuni 90%, 5% intervalliga. Pärast töötamistsükli, kui ümbritseva õhu niiskus on valitud niiskusest 2% madalam, seiskub kompressor ja ventilaator lakkab töötamast 3 minutit hiljem; kui ümbritseva õhu niiskus on valitud niiskusega võrdne või sellest rohkem kui 3% suurem, taaskäivitub kompressor, kui 3-minutilise kompressori kaitseaeg on möödas.

4. Taimeri seadistamiseks vajutage nuppu  :
Vajutage nuppu, et programmeerida aeg, millal seade sisse ja välja lülitub. Kui soovite taimeri programmi tühistada, vajutage nuppu, et seada kellaaeg 00-le ja siis vajutage nuppu; kellaaeg vahetub näidust 00-01-02 kuni näiduni 23-24. See on programmeeritud kellaaeg masina oleku vahetamiseks. Programmeeritud kellaaeg tühistatakse alati, kui kompressorit käsitsi lülitada. Programmeeritud aeg ei muutu, kui masin peatab töö veepaagi täitumise tõttu või sulatamise ajal.

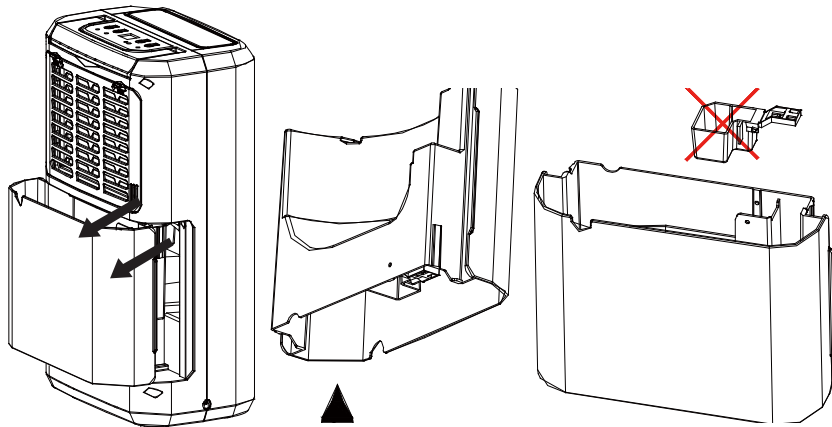
Märkus. Kui ümbritseva õhuniiskuse tase saavutab varem seatud väärtuse, seisavad nii kompressor kui ka ventilaatori mootor esmalt 60 minutit ja seejärel töötavad ventilaatori mootor 3 minutit niiskuse tuvastamiseks, kui see on seatud väärtusest kõrgem, töötavad nii kompressor kui ka mootor uuesti ; Kui see on seatud väärtusest madalam, seisatakse nii kompressor kui ka mootor 60 minutiks ja seejärel töötab mootor uuesti 3 minutit; "

KOGUTUD VEE EEMALDAMINE

Kui veepaak on täis, süttib paagi täitumise märgutuli, töö peatub automaatselt ja 15 piiksust koosneva helisignaaliga hoiatatakse kasutajat, et paak tuleb veest tühjendada.

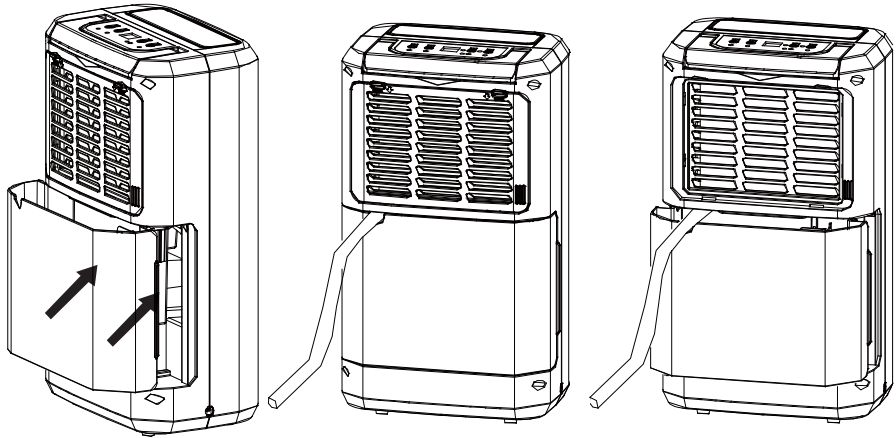
Veepaagi tühjendamine

1. Vajutage kergelt mõlema käega paagi külgedele ja tõmmake paak ettevaatlikult välja.
2. Visake kogunenud vesi ära.



MÄRKUS!

1. Ärge eemaldage ujukit veepaagist. Veepaagi täitumise andur ei suuda ilma ujukita enam veetaset õigesti tuvastada ja vesi võib veepaagist lekkida.
2. Kui veepaak on määrdunud, peske seda külma või leige veega. Ärge kasutage puhastusvahendeid, küürimisnuus-tikuid, keemiliselt töödeldud tolmulappe, bensiini, benseeni, vedeldit ega muid lahusteid, kuna need võivad paaki kriimustada ja kahjustada ning põhjustada vee lekkimist.
3. Veepaagi tagasi asetamisel vajutage paak mõlema käega kindlalt oma kohale. Kui paak pole õigesti paigutatud, aktiveerub andur „TANK FULL“ ja õhukuivati ei tööta.



Pidev vee äravool

Seadmel on pideva äravoolu ühendusava. Kasutage plasttoru siseläbimõõduga 10 mm, sisestage see tühjendusavasse (keskmisel plaadil), suunake see veepaagi küljelt välja ja paigutage äravoolutoru oma kohale. Veepaagis olevat vett saab seadmel oleva pideva äravoolu ühendusava kaudu pidevalt tühjendada.

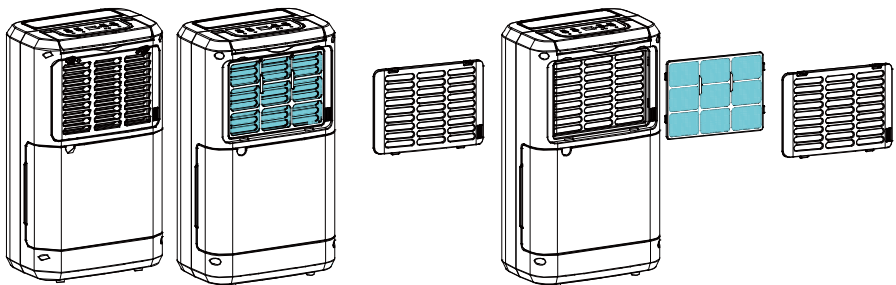
HOOLDUS

Õhukuivati puhastamine

Korpuse puhastamiseks: puhastage see pehme niiske lapiga.

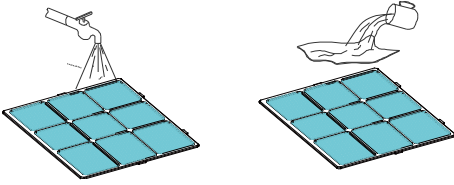
Õhufiltri puhastamiseks:

1. Esiteks avage sisetõmbevõre ja eemaldage õhufilter.



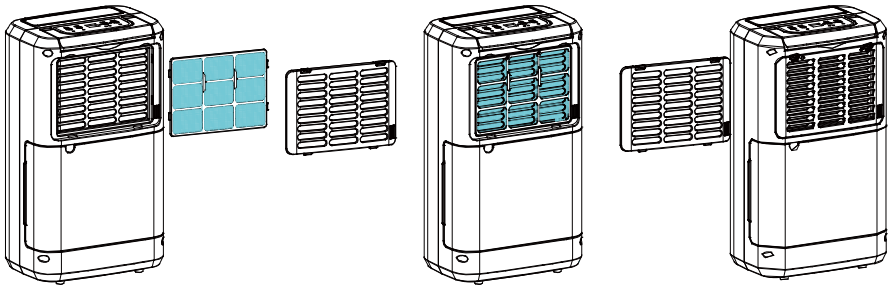
2. Puhastage õhufilter.

Tõmmake mustuse eemaldamiseks tolmuimejaga kergelt üle õhufiltri pinna. Kui õhufilter on erakordselt määrdunud, peske seda sooja vee ja leebe puhastusvahendiga ning kuivatage hoolikalt.



3. Kinnitage õhufilter

Pange filter sujuvalt võresse ja asetage sissetõmbevõre õigesse kohta.



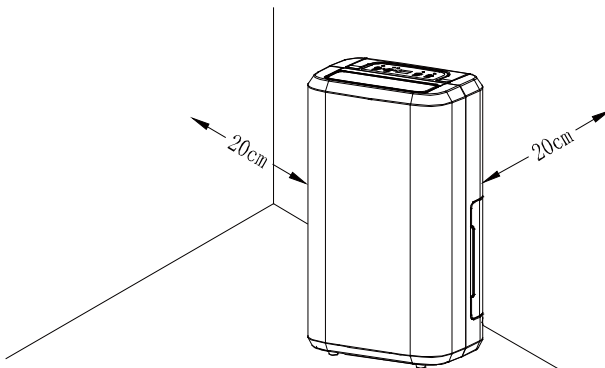
Õhukuivati hoistamine

Kui seadet pikka aega ei kasutata ja soovite seda ladustada, tuleb teostada järgmised sammud:

1. Tühjendage veepaak sinna jäänud veest.
2. Kerige toitejuhe üles ja pange see veepaaki.
3. Puhastage õhufilter.
4. Paigutage jahedasse ja kuiva kohta.

Kaugus esemetest

Jätke seadme töötamise ajal selle ümber minimaalselt nii palju vaba ruumi kui näidatud vasakpoolsel joonisel.




TÕRKEOTSING

Kui ilmneb mõni allpool loetletud seisunditest, kontrollige enne klienditeenindusse helistamist järgmisi punkte.

Probleem	Võimalik põhjus	Lahendus
Seade ei tööta	Kas toitejuhe on lahti ühendatud?	Ühendage toitejuhe pistikupessa.
	Kas täis paagi näidikutuli vilgub? (Paak on täis või vales asendis.)	Tühjendage veepaak ja asetage paak tagasi oma kohale.
	Kas ruumi temperatuur on üle 35 °C või alla 5 °C?	Kaitseseade on aktiveeritud ja õhukuivatit ei saa käivitada.
Õhukuivatamise funktsioon ei tööta	Kas õhufilter on ummistunud?	Puhastage õhufiltrit vastavalt jaotises „Õhukuivatati puhastamine“ äratoodud juhistelet.
	Kas õhu sissevõtu- või väljalaskeava on ummistunud?	Eemaldage ummistus väljalaske- või sissevõtukanalist.
Õhk ei välju	Kas õhufilter on ummistunud?	Puhastage õhufiltrit vastavalt jaotises „Õhukuivatati puhastamine“ äratoodud juhistelet.
Töö on mürarikas.	Kas seade on kallutatud või ebastabiilses asendis?	Paigutage seade stabiilsele ja vastupidavale pinnale.
	Kas õhufilter on ummistunud?	Puhastage õhufiltrit vastavalt jaotises „Õhukuivatati puhastamine“ äratoodud juhistelet.
„E1“ veakood	Sulatamise sensori rike.	Asendage sulatamise sensor.

Wood's M10G tehnilised andmed

Max tööala	40 m ²
Soovituslik ruumi suurus	2-30 m ²
Õhuvool	120 m ³ /h
Töövõime (30 °C ja 80% suhtelise õhuniiskuse juures)	10 liitrit
Võimsus	280 W
Paagi maht	2 liitrit
Müratase	42 dB
Töötemperatuur	+ 5 °C kuni + 35 °C
Ventilaatori kiirus	1
Mõõtmed, P x L x K	276 x 185 x 480 mm
Kaal	9,5 kg
Külmaaine	R290
IP-kood	IP21

 See märgistus näitab, et seda toodet ei tohi kogu ELis visata muude olmejäätmete hulka. Et vältida kontrollimata jäätmete kõrvaldamisest tekkida võivat kahju keskkonnale või inimeste tervisele, suunake see vastutustundlikult ümbertöötlemisse, et edendada oluliste ressursside säästvat taaskasutamist. Seadme tagastamiseks kasutage tagastamis- ja kogumissüsteeme või võtke ühendust jaemüüjaga, kellelt toode osteti. Neil on võimalik suunata toode keskkonnaohutult taaskasutusse.



Tulenarkaa materiaalia. Laitte sisältää R290-propania, joka on helposti syttyvä kylmäaine.



Katso käyttäjän käsikirja.



Lue tekninen käsikirja



Lue käyttäjän käsikirja.

TURVALLISUUSTIEDOT

Lue mukana toimitetut ohjeet huolellisesti ennen laitteen asentamista ja käyttöä. Valmistaja ei ole vastuussa, jos virheellinen asennus ja käyttö aiheuttavat vammoja ja vahinkoja. Säilytä ohjeet aina laitteen kanssa myöhempää käyttöä varten.

Lasten ja toimintakyvyltään heikkojen ihmisten turvallisuus

VAARA

Vamman tai pysyvän vamman riski. Vähintään 8-vuotiaat lapset sekä henkilöt, joilla on heikentynyt fyysinen, psyykinen tai henkinen toimintakyky tai vähän kokemusta tai

osaamista, voivat käyttää laitetta, jos heille on annettu ohjeet laitteen turvallisesta käytöstä ja he ymmärtävät käytön riskit. Älä anna lasten leikkiä laitteella.

Alle 3-vuotiaat lapset on pidettävä loitolla laitteesta, ellei heitä valvota jatkuvasti. Säilytä kaikki pakkausmateriaalit poissa lasten ulottuvilta. Lapset eivät saa puhdistaa laitetta tai tehdä ylläpitotoimia ilman valvontaa.

Yleinen turvallisuus

Laitte on tarkoitettu käytettäväksi kotitalouksissa ja vastaavissa käyttökohteissa, kuten kellareissa, ryömintätiloissa, myymälöiden henkilökunnan keittiötiloissa, toimistoissa ja muissa työympäristöissä. Arvokilpi sijaitsee kosteudenpoistajan vesisäiliön takana. Älä peitä tuuletusaukkoja.

Älä nopeuta sulatusprosessia käyttämällä mekaanisia laitteita tai muita keinoja, paitsi valmistajan suosittelemia. Laitetta ei saa säilyttää huoneessa, jossa on jatkuvasti toimivia sytytyslähteitä, esim. avotuli tai käynnissä oleva kaasulaite tai sähkölämmitin. Ei saa puhkaista tai polttaa. Huomaa, että kylmäaineissa ei välttämättä ole tuoksua.

Älä puhdistu laitetta vesisuihkulla tai -höyryllä. Puhdistu laite kostealla pehmeällä liinalla. Käytä vain neutraaleja pesuaineita. Älä käytä hankaavia tuotteita, hankaavia puhdistus tyyynyjä, liuottimia tai metalliesineitä. Jos virtajohto vahingoittuu, valmistajan, sen valtuuttaman huollon tai vastaavan pätevän henkilön on vaihdettava johto vaaran välttämiseksi.

TURVALLISUUSOHJEET

Asennus

VAARA

Laitteen saa asentaa vain pätevä henkilö. Poista kaikki pakkausmateriaalit. Älä asenna tai käytä vahingoittunutta laitetta. Laitteen asennus-, käyttö- ja varastointitilan pinta-alan on oltava suurempi kuin 4 m². Noudata laitteen mukana toimitettuja asennusohjeita. Ole varovainen, kun siirrät laitetta, koska se on raskas. Käytä aina suojakäsineitä.

Varmista, että ilma voi vaihtua laitteen ympärillä. Odota vähintään 4 tuntia, ennen kuin kytket laitteen virtalähteeseen. Odotusaikana öljy virtaa takaisin kompressoriin. Älä asenna laitetta lämpöpattereiden tai muiden lämmönlähteiden lähelle. Älä asenna laitetta suoraan auringonvaloon.

Sähköliitäntä

VAARA



Tulipalon ja sähköiskun vaara.

Laite on kytkettävä maadoitettuun pistorasiaan.

Varmista, että virtalähde vastaa arvokilven sähkötietoja. Jos ei, ota yhteyttä sähköasentajaan. Käytä aina oikein asennettua iskunkestävää pistorasiaa.

Älä käytä monen pistorasian jakajia tai jatkojohtoja.

Varmista, ettei mikään aiheuta vaurioita sähkökomponenteille (esim. verkkovirtapistoke, verkkovirtajohto).

Ota yhteyttä valtuutettuun huoltoon tai sähköasentajaan, jos sähkökomponentteihin on tarpeen tehdä muutoksia.

Virtajohdon tulee olla alempana kuin pistoke.

Kytke verkkovirtapistoke pistorasiaan vasta asennuksen jälkeen.

Varmista, että pistokkeelle on vapaa pääsy asennuksen jälkeen.

Älä irrota virtajohtoa johdosta vetämällä. Vedä aina pistokkeesta.

Käyttö

VAARA



Vamman, palovamman, sähköiskun ja tulipalon vaara.

Älä muuta laitteen teknisiä määrittämiä.

Varo vahingoittamasta kylmäainepiiriä. Se sisältää propania (R290), luonnollista kylmäainetta, jonka ympäristövaikutukset ovat vähäiset. Kaasu on helposti syttyvää.

Jos kylmäainepiiri vahingoittuu, varmista, että tilassa ei ole avotulta tai sytytyslähteitä. Tuuleta tila.

Älä laita tulenarkoja tuotteita tai helposti syttyvällä tuotteella kostutettuja esineitä laitteen lähelle tai päälle.

Hävittäminen

VAARA



Vamman vaara.

Irrota laite verkkovirrasta. Katkaise virtajohto ja hävitä se.

Laitteen kylmäainepiiri ei vahingoita otsonikerrosta.

Kysy kunnan viranomaisilta ohjeet laitteen asianmukaisesta hävittämisestä.

Älä vahingoita lämmönvaihtimen lähellä olevaa jäähdytysyksikön osaa.

Kiitos

Kiitos Woodin kosteudenpoiston valinnasta. Olet yksi yli 400 000 ihmisestä, jotka ovat valinneet Woodin kosteudenpoistajan kosteuden ja homeen aiheuttamien vahinkojen estämiseksi. Wood's aloitti Kanadasa vuonna 1950 ja sillä on yli 60 vuoden kokemus kosteudenpoistimien kehittämisestä ja valmistuksesta. Kun valitset Woodin kosteudenpoistimen, voit olla varma, että saat parasta laatua, suurta kapasiteettia ja joka kuivaa useimmat litraa vettä kulutettua energiaa kohti.

Wood's M10G

Wood's M10G on erittäin tasainen ja kompakti kosteudenpoistaja. Puun M10G: aa voidaan käyttää monissa eri tiloissa, esimerkiksi kylpyhuoneissa, makuuhuoneissa, kesämökissä tai veneissä.

Sitten kosteudenpoistaja toimii

Wood's M10G on kompressorin kuivausrumpu. Kun ilma vetää tuuletin läpi tuuletin läpi, se kulkee kostean ilman yli kompressorisuojattua kondensaatiopakettia. Vyöruuvi jäädyttää vesihöyryn ja erottaa vedestä ilmaa.

Vesi virtaa silmukoista ja vesisäiliöön tai vaihtoehtoisesti johtaa vesiletkun tyhjennykseen. Huoneessa on kuiva ilma. Kun kosteudenpoistaja tiivistää vesihöyryä, lämpöenergia vapautuu. Siksi kompressorin kosteudenpoistoyksikkö puhaltaa kuivaa ilmaa, joka sopii erinomaisesti pyykinpesuun, vaatteisiin ja muuhun.

Kompressorijäähdytin on kaikkein energiatehokkain tapa poistaa ylimääräinen kosteus ja huonot tuoksut. Pidä suhteellinen kosteus 50-60% turvallisen ja terveellisen sisäilman takamiseksi.

1. Turvallisuus

Lue nämä varoitukset huolellisesti ennen kosteudenpoiston käyttämistä. Turvaohjeiden noudattamatta jättäminen saattaa johtaa takuun menettämiseen ja aiheuttaa myös

turvallisuusriskin.

- Irrota aina virtajohto pistorasiasta ennen huoltoa, säilytystä ja suodatimen puhdistusta.
- Pidä aina oikea etäisyys vesilähteistä.
- Tätä laitetta ei ole tarkoitettu henkilöille (myös lapsille), joilla on heikentynyt fyysinen, psyykinen tai henkinen kyky tai kokemuksen tai tietämyksen puute, ellei hänen turvallisuudestaan vastaava henkilö ole valvonut tai antanut ohjeita laitteen käytöstä.
- Lapset on valvottava, jotta he eivät leikkisi laitteen kanssa
- Laite on asennettava kansallisten yhteysmääräysten mukaisesti.
- Laite on lämmönlähde. Sen vuoksi sitä ei saa peittää tai joutua kosketuksiin muiden lämmönlähteiden tai palavien aineiden kanssa.
- Jos verkkojohto on vaurioitunut, sen on korvattava valmistajan, huoltoliikkeen tai vastaavien pätevien henkilöiden avulla vahinkojen välttämiseksi.
- Älä sijoita sormia tai muita esineitä ilmanottoaukkoon tai ilman poistoaukkoon.
- Älä muokkaa ilmankuivaajaa tai sen virtajohtoa missään muodossa.
- On erittäin tärkeää, että suodatin pidetään puhtaana. Tarkista suodatin säännöllisesti ja vaihda tai puhdista se tarvittaessa.
- Älä koskaan vedä virtajohtoa irti pistorasiasta.
- Kompressorin täytetään free-on-free- kylmäaineella. Jos jäähditysjärjestelmässä on vuoto, lopeta ilmankuivaaja ja ota yhteyttä jälleenmyyjään.
- Älä käytä laitetta ilman suodatinta. Stä inte på avfuktaren.
- Vedä vettä aina ohjeiden mukaan.
- Ilmanjäähdytin tuottaa vettä. Pidä aina turvallinen etäisyys materiaaleista, jotka ovat herkkiä veden vaurioille, esim puulattiat.

2. Asennus ja sijainti

Puun kosteudenpoistaja on helppo liikkua, mutta pidä mielessäsi seuraavat.

- Ilmankuivaajaa ei saa sijoittaa lähelle mitään elementtiä tai muita lämmönlähteitä, koska se voi laskea kostuttimen kapasiteettia.
- Pidä vähintään 25 cm: n etäisyydellä seinistä ja muista esteistä ilmavirran maksimoimiseksi.
- Jotta parhaan mahdollisen kapasiteetin voi sijoittaa kosteudenpoistaja huoneen keskelle.
- Tarkista ilmanotto ja älä estä ilmanpuhallusta.

Asennus:

1. Aseta ilmankuivaaja tasaiselle ja tukevalle alustalle, mieluiten huoneen keskelle.
2. Sulje kaikki ikkunat ja venttiilit huoneeseen. Muussa tapauksessa kostea ilma jatkaa virtausta huoneeseen.
3. Liitä kosteudenpoistaja maadoitettuun pistorasiaan.

Jos ilmankuivaaja kuljetetaan makaa-massa, öljy voi virrata ulos kompressorista ja suljettuun putkisto. Anna sitten kosteudenpoistajan seistä muutama tunti ennen sen käyttöönottoa.

On erittäin tärkeää, että öljy voi virrata takaisin kompressorin, muuten ilmankuivaaja voi aiheuttaa vakavia vaurioita.

Käynnistä ja pysäytä ilmankuivaaja ON / OFF-painikkeella.

Kompressorilamppu syttyy, kun kosteudenpoistin toimii.

Aseta haluttu kosteus.

Säädä haluttu kosteus 30-90% painamalla NUOLI YLÖS ja ALAS-ALAS. Ilmanpoisto kytkeytyy automaattisesti pois päältä, kun haluttu kosteus saavutetaan. Asetusarvo näkyy näytöllä muutaman sekunnin ajan. Tämän jälkeen näyttö palaa näyttämään huoneen kosteuden. Paina NUOLI ALAS, kunnes näytöllä näkyy CO, jotta jatkuva kosteus saadaan aikaan. Jatkuvassa tilassa kosteudenpoisto toimii vasta, kun katkaiset sen tai muutat sitä.

Kun huoneen kosteus on alle 35%, näytössä näkyy LO. Kun huoneen kosteus on yli 95%, näytössä näkyy HI.

HUOMAUTUS: Kun haluttu kosteus on saavutettu, tuuletin jatkaa toimintaansa muutama minuutti sen jälkeen, kun kompressorin on pysähtynyt ennen kuin se pysähtyy.

Aseta ajastin automaattisesti sulkeminen

Paina TIMER-painiketta toistuvasti asettaaksesi automaattisen sammutusajan. Kun ajastin on päällä, ohjauspaneelin valo syttyy. Aseta aika näkyy näytöllä muutaman sekunnin ajan, ennen kuin palaat huoneen kosteuteen. Kun asetettu aika on kulunut, kosteudenpoistaja on pois päältä. Jos haluat käynnistää uudelleen kosteudenpoistimen, sinun on käynnistettävä se manuaalisesti ON / OFF-painikkeella.

Paina TIMER-painiketta, kunnes arvo 0 näkyy ajastimen poiskytkemiseksi.

4. Valua

Kun vesisäiliö on täynnä, kosteudenpoisto kytkeytyy automaattisesti pois päältä ja sitä ei voida käyttää ennen kuin vesisäiliö tyhjenetään.

1. Irrota kosteudenpoistaja.

2. pistorasiaan.
3. Tyhjennä vesisäiliö.
4. Vaihda tyhjennetty
5. vesisäiliö.
6. Aseta kosteudenpoistopistoke pistorasiaan.

Suora vesivuoto

Kytke vesiletku (10 mm) putken päälle kosteudenpoiston takaosaan. Vedä letkun toinen pää viemäriin. Varmista, että vesi voidaan suunnata alaspäin.

5. Ilmansuodatin

Ilmansuodatin estää pölyn ja lian pääsyn kosteudenpoistimeen ja pidetään sen käyttöikä. Suodattimen puhdistus:

1. Irrota suodatin koneesta.
2. Nosta suodatin ja pese se lämpimällä vedellä ja miedolla pesuaineella. Vaihtoehtoisesti suodatin voidaan tyhjentää.
3. Anna suodattimen kuivua ja asenna se uudelleen.

On erittäin tärkeää, että suodatin puhdistetaan säännöllisesti, muuten ilmankuivaaja voi menettää kapasiteettiaan ja jopa vaurioitua.skadad.

6. Ylläpito

Puhdista ilmankuivaaja kostealla liinalla. Vältä liuotinta ja vahvaa pesuainetta, koska se voi vahingoittaa kosteudenpoiston pintaa.

- Jäähdyttimet voidaan puhdistaa kankaalla ja kuumalla vedellä.

7. Palvelu

Jos kosteudenpoistaja tarvitsee huoltoa, ota yhteys jälleenmyyjään. Kaikki takuuvaatimukset edellyttävät ostokuitti.

8. Takeita

2 vuoden takuu. Huomaa, että takuu on voimassa vain kuitisen vastaanotamisen yhteydessä.

Tämä laite on ETY-direktiivin 76/889 + 82/499 mukainen

9. Vinkkejä

Lämpötila yli +10 °C voi olla joskus hyvä käyttää lämmityspuhallinta. Vaikka M10G toimii jopa +5 °C:ssa, sen kapasiteetti nousee korkeammissa lämpötiloissa, koska kuuma ilma voi kuljettaa enemmän vettä.

Parhaan mahdollisen kapasiteetin varmistamiseksi minimoi ilmavirta ulkopuolelta - sulje ikkunat ja venttiilit.

Odottavat suurempaa kapasiteettia kesällä ja syksyllä, kun ulkoilma on lämpimämpää ja kostea.

Jotta turvallinen ja luotettava kosteus- ja muutosuojaus olisi mahdollista, pitää suhteellinen kosteus 50-60%.

Yksikkö on asetettu toimimaan +5 °C:n ja +35 °C:n välillä. Jos lämpötila ylittää tämän alueen, kosteudensuojain ei välttämättä toimi kunnolla.

Tekniset tiedot Wood's M10G

Suurin työalue	40 m ²
Suosittelu työskentelyalue	2-30 m ²
ilmavirta	120 m ³ /h
Kapasiteetti (vid 30°C & 80% RH)	10 litra
Effekt	280 W
Vesisäiliön tilavuus	2 litra
Äänitaso	42 dB
Käyttölämpötila	+5°C till +35°C
Puhallinnopeutta	1
Mitat L x W x H	276x185x480 mm
Paino	9,5 kg
kylmäaineita	R290
IP-kodi	IP21

Vianmääritys

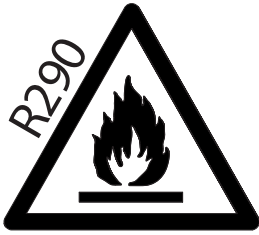
Jos sinulla on ongelmia kosteudenpoistimen kanssa, tutustu alla olevaan vianmääritykseen.

Jos yksikään seuraavista toiminnoista ei toimi, ota yhteys jälleenmyyjääsi kosteudenpoistolaitteen huoltoon.

Ongelma	Syy	Ratkaisu
ilmankuivaajan ei toimi	Onko virtajohto kytketty?	Kytke kosteudenpoistaja maadoitettuun pistorasiaan
	Onko huonelämpötila yli 35 ° C tai alle 5 ° C?	Lisää tai huonota huonelämpötilaa
ilmankuivaajan ei käynnisty	Onko suodatin tukossa?	Puhdista suodatin
	Onko ilmanottoaukko tai pakoputki tukossa?	Varmista, ettei mikään estä ilmaa
Ei ilmanottoa	Onko suodatin tukossa?	Puhdista suodatin
Epänormaali melutaso	Onko laite kallistettu?	Siirrä laite tasaiselle ja vakaalle alustalle.
	Onko suodatin tukossa?	Puhdista suodatin
Virhekoodi E1	Kosteusanturin virhe	Ota yhteyttä jälleenmyyjään



Tämä merkintä osoittaa, että tuotetta ei saa hävittää toisen kotitalousjätteen mukana koko EU: ssa. Jotta ympäristölle ja ihmisille ei aiheutuisi haittaa hallitsemattomasta jätteiden hävittämisestä, tuote hyödyntää vastuullisesti resurssien kestävää uudelleenkäyttöä. Jos arvet palauttavat tuotteen, ota yhteyttä jälleenmyyjään.



Eldfim efni. Þetta tæki inniheldur R290/Própan sem er eldfimt kæliefni. Vísað er til þessarar handbókar varðandi öryggisupplýsingar. R290 kæliefni uppfyllir evrópskar umhverfistilskipanir. Gatið ekki eða brennið. Viðhald og viðgerðir sem krefjast aðstoðar annarra viðurkenndra starfsmanna verða að fara fram undir eftirliti sérfræðinga í notkun eldfimra kæliefna.



Vísað er í þessa handbók varðandi öryggisupplýsingar



Lesið tæknihandbók



Lesið notkunarhandbók.

ÖRYGGISUPPLÝSINGAR

Áður en þú setur upp tækið og byrjar að nota það skaltu lesa meðfylgjandi leiðbeiningar vandlega. Framleiðandi er ekki ábyrgur ef röng uppsetning og notkun valda meiðslum og tjóni. Geymdu leiðbeiningarnar með

tækinu til að geta skoðað þær síðar.

Öryggi barr varnarlaus

VIÐVÖRUN

Hætta á meiðslum eða varanlegri fötlun. Börn 8 ára og eldri og einstaklingar með skerta líkamlega getu, skynjun eða andlega getu, eða skort á reynslu og þekkingu geta notað þetta tæki undir eftirliti eða eftir að hafa fengið leiðbeiningar varðandi notkun tækisins á öruggan hátt og ef þau gera sér grein fyrir þeirri áhættu sem því fylgir. Ekki leyfa börnum að leika sér með tækið.

Börnum yngri en 3 ára skal haldið frá tækinu nema undir stöðugu eftirliti. Geymið allar umbúðir frá börnum.

Prif og viðhald skal ekki gert af börnum án umsjónar.

Almennt öryggi

Þetta tæki er ætlað til nota á heimilum og álíka stöðum, svo sem: baðherbergjum, starfsmannaeldhúsum í búðum, skrifstofum og öðrum vinnusvæðum. Flokkunarplatan er staðsett aftan á eða á hlið rakaeyðisins. Haldið aðskotahlutum fjarri loftopum.

Notið ekki vélbúnað eða aðrar aðferðir til að hraða afíngingu en þær sem framleiðandi mælir með. Geymið ekki tækið í herbergi þar sem eld-/neistagjafir eru stöðugt í notkun (t.d. opnir logar, gastæki eða rafmagnshitarar). Gatið ekki eða brennið.

Hafðu í huga að kæliefni geta verið lyktarlaus. Notið ekki vatnsúða eða gufu til að hreinsa tækið. Hreinsaðu tækið með rökum mjúkum klút. Notaðu aðeins hlutlaus hreinsiefni. Notið ekki slípiefni, slípandi hreinsibúnað, leysiefni eða málmhluti.

Ef rafmagnssnúran er skemmd þarf að fá nýja frá framleiðanda, viðurkenndum viðgerðaraðila eða sambærilegum aðila til að forðast að hættur.

ÖRYGGISLEIÐBEININGAR Uppsetning VIÐVÖRUN

Aðeins hæfur aðili skal annast uppsetningu tækisins. Fjarlægjið allar umbúðir. Setjið ekki upp eða notið skemmt tæki. Setja skal tækið upp, nota það og geyma það í herbergi sem er með stærri gólfhlöt en 4m². Fylgja skal þeim leiðbeiningum um uppsetningu sem fylgja tækinu.

Sýnið alltaf aðgát þegar tækið er fært því það er þungt. Klæðist ávallt öryggishönskum.

Gangið úr skugga um að loft leiki óhindrað umhverfis tækið.

Bíddu í að minnsta kosti 4 klukkustundir áður en þú tengir tækið við rafmagn. Þetta er til að leyfa olíunni að renna til baka í pressuna. Setjið ekki tækið nálægt ofnum eða öðrum hitagjöfum. Setjið ekki tækið í beint sólarljós. Þetta tæki er aðeins til notkunar innandyra. Gangið úr skugga um að tækið sé staðsett á stöðugu og sléttu yfirborði. Ef yfirborðið er ekki stöðugt er hættu á að tækið verði óstöðugt og það getur valdið miklum titringi og vatnsleka.

Rafmagnstenging

VIÐVÖRUN

Hættu á bruna og raflosti. Tækið verður að jarðtengja. Gangið úr skugga um að rafmagnsupplýsingarnar á flokkunarkerkinu séu í samræmi við orkugjafann. Ef ekki, skaltu hafa samband við rafvirkja.

Alltaf skal nota rétt uppsettu innstungu.

Ekki nota fjöltengi og framlengingarsnúrum.

Gætið þess að valda ekki skemmdum á rafihlutum (t.d. tengjum, snúrum).

Hafðu samband við viðurkenndan þjónustuaðila eða rafvirkja til að skipta um rafihluti.

Snúran verður að vera fyrir neðan klóna.

Tengdu klóna við innstunguna að lokinni uppsetningu.

Gakktu úr skugga um að hægt sé að komast að klónni eftir uppsetningu.

Ekki draga í rafmagnssnúruna til að aftengja tækið. Togaðu alltaf í klóna sjálfa.

Notkun

VIÐVÖRUN

Hættu á meiðslum, bruna, raflosti eða bruna.

Ekki breyta uppsetningunni á þessu tæki.

Gættu þess að valda ekki skemmdum á kælihringrásinni. Hún inniheldur própan (R290), náttúrulegt gas. Þetta gas er eldfimt.

Ef skemmdir eiga sér stað í kælihringrásinni skaltu ganga úr skugga um að það eru engir logar og neistauppsprettur í herberginu. Loftræstið herbergið.

Ekki á að setja eldfimar vörur eða vörur sem eru bleyttar með eldfimum efnum nálægt eða ofan á tækið.

Förgun

VIÐVÖRUN

Hættu á meiðslum.

Aftengið tækið frá rafmagni. Klippið af rafmagnssnúruna og fleygið henni.

Kælihringrásin í þessu tæki er ósónvæn. Hafðu samband við viðkomandi aðila í þínu landi til að fá upplýsingar um hvernig þú fargar tækinu á réttan hátt. Valdið ekki skemmdum á þeim hluta kælieiningarinnar sem er nálægt hitabreytinum. Sjáið til þess að tækinu sé haldið hreinu. Hyljið ekki tækið.

Þakka þér

Takk fyrir að velja rakaeyðir frá Wood. Þú ert einn af fleiri en 400 000 manns sem hefur valið Wood rakaeyði til að koma í veg fyrir skemmdir af völdum raka og myglu. Wood var stofnað í Kanada í 1950 og hefur meira en 60 ára reynslu af þróun og framleiðslu rakaeyða. Þegar Wood rakaeyðir er valinn þá færðu hágæða, afkastamikið tæki sem þurrkar marga lítra á hverja kWh.

Eiginleikar rakaeyðisins

Wood M10G er rakaeyðir með pressu. Þegar loftið er dregið í gegnum rakaeyðinn með víftunni fer loftið yfir koparspiralana sem eru kældir með pressunni. Spirálarnir kæla vatnsgufuna og aðskilja þannig vatnið frá loftinu.

Vatnið drýpur af spirölunum og rennur niður gegnum vatnsslönguna. Eftir verður þurr loft sem skilað er aftur út í herbergjið. Þegar rakaeyðirinn þéttir vatnsgufuna myndast hitaorka. Þetta gerir það að verkum að rakaeyðir með pressu blæs út heitu lofti sem kemur að gagni við þurrkun á fatnaði, þvotti, tré o.s.frv.

Rakaeyðir með pressu er einnig orkunýtnasti kosturinn til að losna við umframraka og slæma lykt. Haldið rakastigi á bilinu 50% til 60% til að viðhalda öruggu og heilsusamlegu umhverfi innandyra.

1. Uppsetning og staðsetning

Rakaeyða frá Wood er auðvelt að færa til, en hafa ber eftirfarandi í huga.

- Rakaeyðinn skal ekki staðsetja nálægt ofnum eða öðrum hitagjöfum eða í beinu sólarljósi þar sem slíkt getur haft neikvæð áhrif á afköst hans.
- Hafið a.m.k. 25 cm fjarlægð frá veggjum og öðrum hlutum til að hámarka loftflæðið.

- Bestur árangur næst ef tækinu er komið fyrir í miðju herberginu.
- Gangið úr skugga um að loftflæðið frá út- og inntakinu sé óhindrað

Uppsetning:

- Komið tækinu fyrir á sléttu og stöðugu yfirborði, helst í miðju herberginu.
- Lokið öllum gluggum og loftopum í herberginu. Annars halda óhreint loft og raki áfram að flæða inn í herbergjið.
- Tengið rakaeyðinn við jarðtengda innstungu.

Ef rakaeyðirinn er fluttur áréttur getur olía hafa runnið úr pressunni og inn í lokaða rörakerfið. Í því tilviki skal láta rakatækið standa í nokkra klukkutíma fyrir notkun. Það er mjög mikilvægt að olían fái að renna til baka í pressuna því annars gæti rakaeyðirinn skemmt alvarlega.

2. Notkun M10G

Greining rakastigs

Tækið fer aðeins í gang þegar rakastig umhverfisins fer umfram þau mörk sem það er stillt á.

Sjálfvirk endurræsing

Ef rafmagn fer af þá heldur tækið áfram að starfa samkvæmt síðustu stillingum þegar rafmagnið kemur á aftur.

Sjálfvirk afísing

Tækið afísar sig sjálfkrafa eftir þörfum og heldur áfram að vinna þegar afísingu er lokið.

Við afísingu slökknar á pressunni og gaumljósið fyrir afísingu lýsir.

Ræsið og stöðvið rakaeyðinn með því að ýta á ON/Off hnappinn.

Þegar pressan er að vinna lýsir pressuljósið.

Val á æskilegu rakastigi

Ýtið á örvarnar UP og DOWN til að velja æskilegt rakastig á bilinu 30% til 90%. Rakaeyðirinn slökkur á sér þegar æskilegu rakastigi er náð. Valið gildi birtist á skjánum í nokkrar sekúndur. Eftir það sýnir skjárinn aftur rakastig umhverfisins. Ýtið á DOWN-örina þar til skjárinn sýnir CO til þess að rakaeyðirinn vinni stöðugt. Stöðug virkni (CO) þýðir að tækið vinnur stöðugt burtséð frá rakastigi herbergisins.

Þegar umhverfisrakastigið er lægra en 35% sýnir skjárinn LO. Þegar umhverfisrakastigið er hærra en 95% sýnir skjárinn HI.

Athugið: þegar æskilegu rakastigi er náð, heldur víftan áfram að vinna í nokkrar mínútur þar til hún slökkur á sér.

Tímastilling fyrir sjálfvirka stöðvun

Ýtið aftur og aftur á tímahnappinn til að stilla tímastillingu á sjálfvirka stöðvun eftir 1 - 24 klukkustundir. Þegar það hefur verið virkjað lýsir tímastilliljósið. Valið gildi birtist á skjánum í nokkrar sekúndur. Eftir það sýnir skjárinn aftur rakastig umhverfisins. Ýtið á tímahnappinn þar til skjárinn sýnir 0 og tímastilliljósið slökknar. Þegar tímastillirinn hefur slökkt á tækinu þarf að ýta á aðalrofann til að endurræsa tækið.

4. Vatnstæming

Þegar vatnsgeymirinn er fullur þá slökknar sjálfkrafa á rakaeyðinum.

Þegar vatnsgeymirinn hefur verið tæmdur endurræstir tækið sjálfkrafa.

- Takið rakaeyðinn úr sambandi.
- Tæmið vatnsgeyminn.
- Setjið tóma vatnsgeyminn til baka og gætið að því að flotið hreyfist óhindrað.
- Setjið rakaeyðinn í samband.

Bein tæming

Tengið vatnsslöngu (10 mm) við rörið aftan á tækinu. Setjið hinn endann í niðurfall. Gangið úr skugga um að vatnið geti runnið niður.

5. Loftsían

Loftsían kemur í veg fyrir að ryk og óhreinindi fari inn í tækið og eykur þannig endingartíma þess. Mikilvægt er að sían sé hreinsuð reglulega. Hreinsun á síu:

1. Fjarlægjið síuna.
2. Skolið hana með heitu vatni og mildu hreinsiefni. Einnig er hægt að ryksuga síuna.
3. Látið síuna þorna og setjið hana aftur á sinn stað

Það er mjög mikilvægt að skipt sé um síu reglulega; annars getur dregið úr afkastagetu tækisins og það jafnvel skemmt alvarlega.

6. Viðhald

- Hreinsið tækið með mjúkuum rökum klút. Forðist að nota leysiefni eða sterk hreinsiefni þar sem það getur skemmt yfirborð tækisins.

- Best er að hreinsa kælisþrálinn með klút og heitu vatni.

7. Þjónusta

Ef rakaeyðirinn krefst viðhalds þarftu fyrst að hafa samband við söluaðila. Sönnunar fyrir kaupum er krafist fyrir allar ábyrgðarkröfur.

8. Ábyrgðir

2 ára neytendaábyrgð á framleiðslugöllum. Vinsamlegast athugið að ábyrgðin gildir aðeins gegn framvísun kvittunar. Ábyrgðin gildir aðeins ef varan er notuð í samræmi við þær leiðbeiningar og öryggisviðvaranir sem eru að finna í þessari handbók. Ábyrgðin nær ekki

til tjóns sem stafar af óviðeigandi meðhöndlun vörunnar.

ATHUGIÐ: 2 ára ábyrgðin á aðeins við um neytendur og er ekki fyrir notkun tækisins í atvinnuskyni.

Þetta tæki uppfyllir EBE tilskipanir 76/889 + 82/499

Tækið er stillt til að vinna við hitastig á milli + 5°C og + 35°C.

Ef hitastigið fer utan þessa sviðs er hugsanlegt að tækið starfi ekki sem skyldi.

9. Ábendingar

Stundum getur verið gagnlegt að nota frostvörn til að ganga úr skugga um að hitastigið fari ekki undir +10°C. Jafnvel þótt M10G vinni niður að hitastigi allt að +5°C er afkastageta þess meiri við hærri hitastig þar sem heitt loft flytur meira vatn.

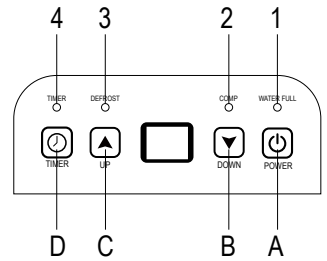
Fyrir hámarks rakaeyðingu er mælt með að loftflæði að utan og frá aðliggjandi herbergjum sé sem minnst. Lokið hurðum og loftopum.

Gera má ráð fyrir aukinni afkastagetu við rakaeyðingu á haustin/sumrin þegar hiti utanhúss er hærri og rakastig meira.

Til að ná öruggri og áreiðanlegri vörn gegn myglu og rakaskemmdum skal halda rakastigi á milli 50% og 60%.

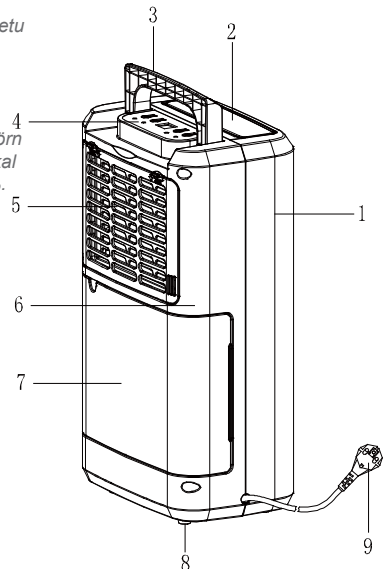
HLUTIR

- Hlutir tækisins
1. Framhluti
 2. Úttak
 3. Handfang
 4. Stjórnborð
 5. Síukassi
 6. Afturhluti
 7. Geymir
 8. Gúmmifætur
 9. Rafmagnssnúra



NOTKUNARLEIÐBEININGAR DÍÓÐUGAUMLJÓŠ

1. DÍÓÐA FYRIR VATNSTÆMINGU Rault
2. PRESSUÐÍÓÐA Blátt
3. AFÍSING Blátt
4. TÍMASTILLIDIÓÐA Grænt







Rakastig & tímastillir 2 stafa skjár

Gaumbúnaðurinn hefur 3 virkanir:



1. Þegar raki er stilltur sýnir hann rakastigið sem valið hefur verið
2. Þegar tækið hefur verið tímastillt fyrir ræsingu og stöðvun þá sýnir hann klukkustundirnar.
3. Þegar umhverfisrakastig er lægra en 35% þá sýnir hann „LO“
4. Þegar umhverfisrakastig er hærra en 95% þá sýnir hann „HI“


Virgni hnappa

- | | |
|------------------------------|---|
| A. Ræsi- og stöðvunarhnappur |  |
| B. Hnappur fyrir minnkun |  |
| C. Hnappur fyrir aukningu |  |
| D. Tímastillir |  |

NOTKUNARLEIÐBEININGAR**1. Stingdu í einingunni.**

2. Ýtið á hnappinn  einu sinni til að hefja aðgerð. Ýtið á hann aftur til að stöðva aðgerð.

3. Ýtið á eða hnappinn  til  að stilla viðeigandi rakastig í herberginu, sem hægt er að stilla frá 30% til 90% með 5% millibili. Þegar rakaeyðing er í gangi og umhverfisraki er 2% undir þeirri stillingu sem valinn hefur verið, þá stöðvast bæði pressan og viftan 3 mínútum síðar. Þegar umhverfisrakinn er orðinn jafn mikill eða 3% meiri en valið rakastig, þá fer pressan aftur í gang þegar 3 mínútna pressuverndartíminn er liðinn.

4. Hnappur  fyrir tímastillingu:
Ýtið á hnappinn til að stilla hvenær tækið á að fara í gang og slökkva á sér. Ef hætta á við tímastillinguna, stillið tímahnappinn á 00 og ýtið á hnappinn, þá verður hringrás frá 00-01-02..... 23-24. Það er fyrir fram valinn tími fyrir tækið. Valinn tími eyðist þegar pressunni er stjórnað handvirkt. Valinn tími helst óbreyttur þó að tækið stoppi vegna þess að vatnsgeymirinn er fullur eða vegna affisingar

Athugasemd: Þegar rakastig nær því sem þú stillir áður stoppa bæði þjöppu og viftu mótör fyrst í 60 mínútur, og þá mun aðdáendamótörinn starfa í 3 mínútur til að greina rakastigið, ef það er hærra en stillt, þá vinna bæði þjöppan og mótörinn aftur; Ef það er lægra en stillt er, bæði þjöppu og slökkt á hreyfli í 60 mínútur, og þá starfar vélin aftur í 3 mínútur; '

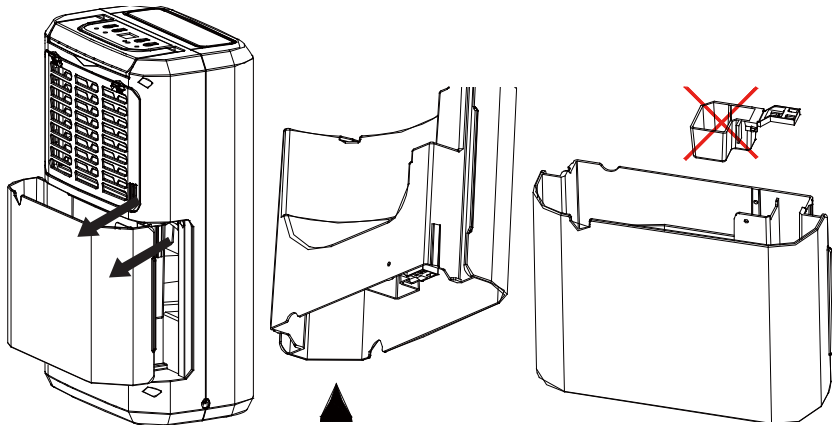
VATNSTÆMING

Þegar vatnsgeymirinn er fullur kviknar á gaumljósinu, tækið stöðvast sjálfkrafa og hljóðmerki heyrst 15 sinnum til þess að gera notanda viðvart um að það þurfi að tæma tankinn.

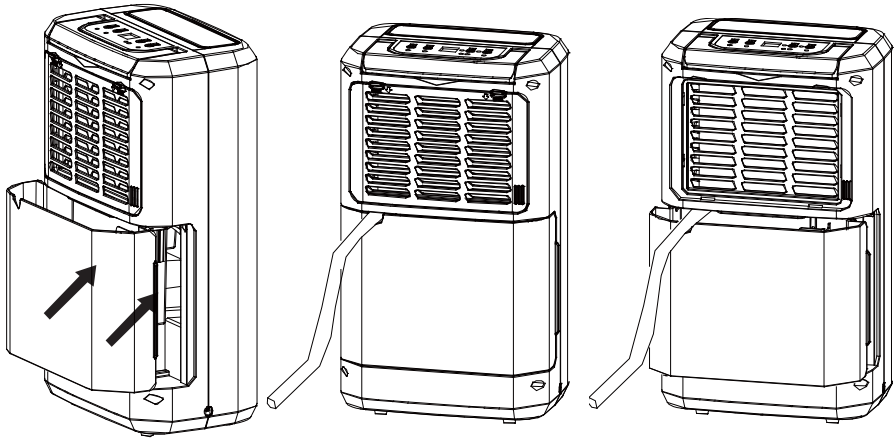
Tæming vatnsgeymis

1. Þrýstið létt á hliðar geymisins með báðum höndum og dragið geyminn varlega út.

2. Tæmið vatnið úr geyminum

**ATHUGIÐ!**

1. Fjarlægjið ekki flotholtið úr geyminum. Viðvörðunin fyrir fullan geymi getur ekki lengur greint vatnshæðina ef flotholtið er fjarlægt og þá getur vatn lekið úr geyminum.
2. Þvoið geyminn með köldu eða volgu vatni ef hann er óhreinn. Notið ekki hreinsiefni, grófa svampa, efnameðhöndlaða rykklúta, bensín, bensól, þynnir eða önnur leysiefni þar sem að það getur rispað og skemmt geyminn og valdið vatnsleka
3. Þegar skipt er um vatnsgeymi skal þrýsta honum rétt á sinn stað með báðum höndum. Ef geymirinn er ekki rétt ísettur þá virkjast viðvörðunin fyrir fullan geymi og rakaeyðirinn virkar ekki.



Stöðug vatnstæming

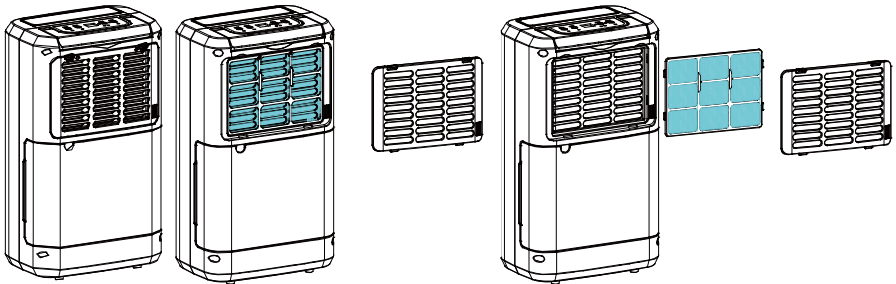
Setjið plastslöngu með 10 mm innra þvermáli í tæmingarúttakið. Úttakið er staðsett í efra vinstra horni vatnsgeymisins. Gangið úr skugga um að plastslangan sé tryggilega tengd við úttakið. Vatnið í geyminum rennur síðan stöðugt úr geyminum.

VIÐHALD

Hreinsun rakaeyðisins
 Utanverð hreinsun: Strjúkið með mjúkum rökum klút.

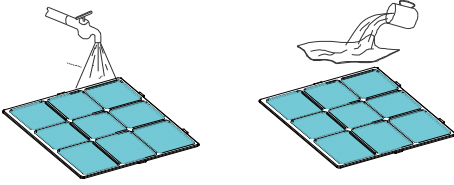
Hreinsun loftsiú

1. Opnið inntaksgrillið og takið út loftsiuna



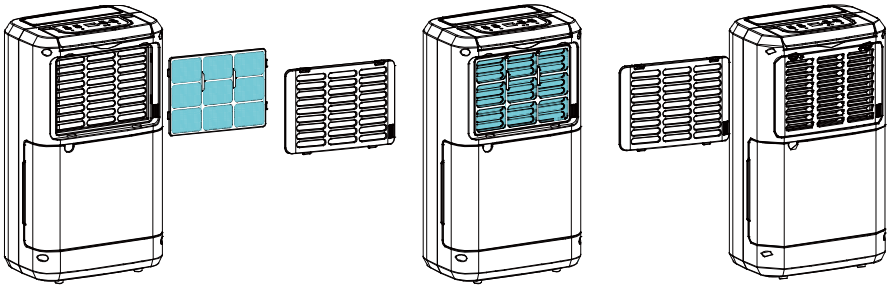
2. Hreinsun loftsiú

Ryksugið yfirborð loftsiunnar til að fjarlægja óhreinindi. Ef loftsián er mjög óhrein skal þvo hana með volgu vatni og mildu hreinsiefni og þurrka hana vel.



3. Hreinsið loftsiú

Setjið síuna vel inn í grillið og setjið grillið á sinn stað.



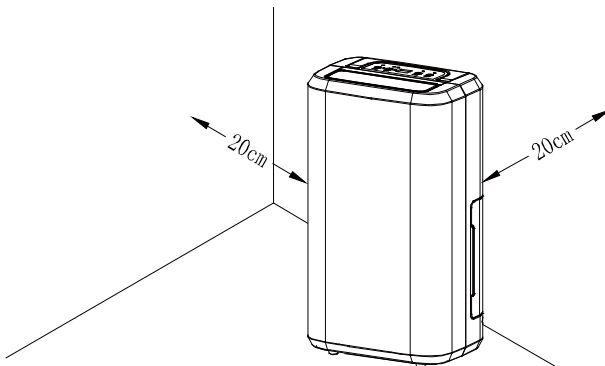
Geymsla rakaeyðisins

Þegar tækið er ekki notað í lengri tíma og er sett í geymslu ber að hafa eftirfarandi atriði í huga:

1. Tæmið vatnstankinn vel.
2. Vefjið rafmagnssnúruna saman og setjið hana í vatnstankinn.
3. Hreinsið loftsiú
4. Geymið á köldum og þurrum stað.

Umhverfi

Hafið lágmarks rými umhverfis rakaeyðinn þegar hann er í notkun eins og sýnt er á teikningunni til vinstri.



BILANALEIT

Ef þeir liðir sem taldir eru upp hér á eftir eru til staðar skal athuga eftirfarandi atriði áður en hringt er í þjónustuaðila.

Vandamál	Hugsanleg orsök	Lausn
Tækið virkar ekki	Hefur rafmagnssnúran verið tekin úr sambandi?	Stingið rafmagnssnúrunni í samband.
	Blikkar ljósið á gaumljósinu fyrir vatnsgeyminn? (Geymirinn er fullur eða ekki rétt ísettur.)	Tæmið vatnið úr geyminum og setjið hann aftur á sinn stað.
	Er hitastig herbergisins yfir 35° eða undir 5°?	Verndarbúnaðurinn er virkur og ekki er hægt að ræsa tækið.
Rakaeyðing virkar ekki	Er loftsián stífluð?	Hreinsið loftsiúna samkvæmt leiðbeiningunum í „Hreinsun rakaeyðisins“.
	Er eitthvað fyrir loftúttakinu eða loftinntakinu?	Fjarlægjið hindrun frá loftúttakinu eða loftinntakinu.
Ekkert loft kemur út	Er loftsián stífluð?	Hreinsið loftsiúna samkvæmt leiðbeiningunum í „Hreinsun rakaeyðisins“.
Hávær gangur	Er tækið hallandi eða óstöðugt?	Færið tækið á stöðugan og traustan stað.
	Er loftsián stífluð?	Hreinsið loftsiúna samkvæmt leiðbeiningunum í „Hreinsun rakaeyðisins“.
„E1“ bilunarkóði	Bilun í afsingarskynjara.	Skiptið um afsingarskynjara.

Tæknilysing Wood M10G

Hám. Vinnusvæði	40 m ²
Ráðlögð herbergisstærð	2-30 m ²
Loftflæði	120 m ³ /klst
Afkastageta (við 30°C & 80% RH)	10 lítrar
Afl	280 W
Rúmmál geymis	2 lítrar
Hávaði	42 dB
Vinnuhiti	+5°C til +35°C
Viftuhraðar	1
Mál, L x B x H	276x185x480 mm
Þyngd	9,5 kg
Kæliefni	R290
IP-kóði	IP21



Þetta merki gefur til kynna að ekki skuli farga tækinu með öðru heimilissorpi innan Evrópu. Til að koma í veg fyrir mögulegt umhverfis- eða heilsutjón vegna rangrar förgunar skal koma tækinu í endurvinnslu þannig að förgun efna fari fram ábyrgan og sjálfbæran hátt. Þegar tækinu er skilað til förgunar skal nota viðeigandi skila- og söfnunarkerfi eða hafa samband við söluábla tækisins. Þeir geta tekið við tækinu og komið því í örugga endurvinnslu.



Material inflamabil. Acest dispozitiv conține R290/ Propan, un agent frigorific inflamabil.



Consultați manualul de utilizare.



Citiți manualul tehnic



Citiți manualul de utilizare.

INFORMAȚII PRIVIND SIGURANȚA

Înainte de instalarea și utilizarea dispozitivului, citiți cu atenție instrucțiunile furnizate. Producătorul nu va fi responsabil dacă instalarea și utilizarea incorectă va cauza vătămări și daune. Mențineți întotdeauna instrucțiunile împreună cu dispozitivul pentru referință ulterioară.

Siguranța copiilor și a persoanelor vulnerabile

AVERTISMENT

Risc de vătămare sau handicap permanent.

Acest dispozitiv nu poate fi utilizat de copiii cu vârsta de 8 ani sau mai mult și persoanele cu capacități fizice, senzoriale sau mentale reduse sau cu lipsa de experiență și cunoștințe, decât dacă

sunt supravegheate sau instruite cu privire la utilizarea dispozitivului într-un mod sigur și înțeleg pericolele implicate.

Nu lăsați copiii să se joace cu dispozitivul.

Copiii cu vârsta mai mică de 3 ani ar trebui să fie ținuți la distanță, cu excepția cazului în care sunt supravegheați în continuu.

Păstrați toate ambalajele departe de copii.

Curățarea și întreținerea de către utilizator nu trebuie efectuate de copii fără supraveghere.

Siguranță generală

Acest dispozitiv este destinat utilizării în scopuri casnice și cele similare, cum ar fi: – subsoluri, spații între planșeu și sol; zone cu bucătărie din spații amenajate pentru luat masa, birouri și alte medii de lucru. În spatele cuvei de apă a dezumidicatorului este amplasată plăcuța indicatoare.

Păstrați zonele de refulare/ evacuare aer libere.

Nu utilizați dispozitive mecanice sau alte mijloace pentru accelerarea procesului de dezghețare, altele decât cele recomandate de producător.

Echipamentul nu trebuie depozitat într-o încăpere cu surse de aprindere care funcționează în mod continuu (de exemplu: flăcări deschise,

un dispozitiv cu gaz sau un încălzitor electric care funcționează). Nu străpungeți sau nu ardeți.

Atenție: agenții frigorifici nu conțin mirosuri. Nu folosiți pulverizare cu apă și aburi pentru a curăța dispozitivul. Curățați dispozitivul cu o cârpă moale umedă. Utilizați numai detergenți neutri. Nu folosiți produse abrazive, substanțe abrazive de curățare, solvenți sau obiecte metalice.

Dacă este deteriorat cablul de alimentare, acesta trebuie înlocuit de către producător, centrul autorizat de deservire sau persoane calificate în mod similar, pentru a evita pericolul.

INSTRUCȚIUNI DE SIGURANȚĂ

Instalare AVERTISMENT

Doar o persoană calificată trebuie să instaleze acest dispozitiv.

Scoateți tot ambalajul.

Nu instalați sau nu folosiți un dispozitiv deteriorat.

Dispozitivul trebuie să fie instalat, operat și depozitat într-o încăpere cu o suprafață utilă mai mare de 4m².

Respectați instrucțiunile de instalare furnizate împreună cu dispozitivul.

Aveți întotdeauna grijă atunci când mutați dispozitivul, deoarece acesta este greu. Purtați întotdeauna mănuși de protecție.

Asigurați-vă că în jurul dispozitivului poate circula aerul.

Așteptați cel puțin 4 ore înainte de a conecta dispozitivul la sursa de alimentare. Acest lucru permite uleiului să curgă înapoi în compresor. Nu instalați dispozitivul în apropierea radiatoarelor sau a altor surse de căldură. Nu instalați dispozitivul acolo unde este lumină directă a soarelui.

Conexiune electrică

AVERTISMENT

Risc de incendiu și șoc electric.

Dispozitivul trebuie să fie conectat la o priză cu împământare.

Asigurați-vă că informațiile electrice de pe plăcuța indicatoare corespund caracteristicilor sursei de alimentare. În caz contrar, contactați un electrician. Utilizați întotdeauna o priză rezistentă împotriva șocurilor instalată corect.

Nu utilizați adaptoare pentru multiple ștecher și cabluri prelungitoare.

Asigurați-vă că nu deteriorați componentele electrice (de ex. ștecher de alimentare, cablul de alimentare).

Contactați centrul autorizat de deservire sau un electrician pentru a schimba componentele electrice. Cablul de alimentare trebuie

să fie sub nivelul ștecherului de alimentare.

Conectați ștecherul de alimentare la priza electrică numai la sfârșitul instalării. Asigurați-vă că există acces la ștecherul de rețea după instalare.

Nu trageți cablul de alimentare pentru a deconecta dispozitivul. Trageți întotdeauna de ștecherul de alimentare.

Utilizare

AVERTISMENT

Risc de vătămare, arsuri, șocuri electrice sau incendiu. Nu modificați caracteristicile tehnice ale acestui dispozitiv.

Aveți grijă să nu provocați deteriorarea circuitului de agent frigorific. Acesta conține propan (R290), un gaz natural cu un nivel ridicat de compatibilitate cu mediul. Acest gaz este inflamabil.

Dacă s-a deteriorat circuitul de agent frigorific, asigurați-vă că în încăperea nu sunt flăcări și surse de aprindere. Ventilați încăperea. Nu plasați produse inflamabile sau obiecte umezite cu produse inflamabile lângă dispozitiv sau pe acesta.

Eliminare

AVERTISMENT

Risc de vătămare. Deconectați dispozitivul de la rețeaua de alimentare. Tăiați cablul de alimentare și

aruncați-l.

Circuitul de agent frigorific al acestui dispozitiv este prietenos cu stratul de ozon. Contactați autoritatea locală pentru a obține informații despre modul în care să aruncați corect dispozitivul. Nu provocați deteriorarea părții unității de răcire aflate în apropierea schimbătorului de căldură.

PASTRATI MANUALUL INTR-UN LOC SIGUR PENTRU A PUTEA FI CONSULTAT ORICAND.

Va multumim pentru alegerea unui dezumidificator care va oferi familiei si locuintei dvs confortul binemeritat. Acest manual va va oferi informatiile necesare pentru utilizarea si intretinerea noului dvs dezumidificator. Va rugam sa petreceti cateva minute citind manualul inainte de a utiliza dezumidificatorul pentru a va familiariza cu toate functiile acestuia. Acest echipament indeparteaza excesul de umiditate din aer, asigurand un mediu confortabil in locuinta sau biroul dvs. Poate fi mutat in mod convenabil din camera in camera.

CARACTERISTICI

Capacitate mare de dezumidificare
Utilizand tehnologia de refrigerare, dezumidificatorul indeparteaza excesul de umiditate din aer, pastrand aerul din interior la un nivel confortabil.
Aparat usor de manevrat si compact
Dezumidificatorul este compact si usor. Poate fi mutat din camera in camera in functie de necesitati.
Higrostat reglabil: Setati nivelul dorit de umiditate cu ajutorul higrostatului incorporat.
Timer On / Off: Programati functionarea dezumidicatorului dvs.
Functionare silentioasa: Dezumidificatorul functioneaza silentios.
Eficienta energetica: Consumul de energie al dezumidicatorului este scazut.

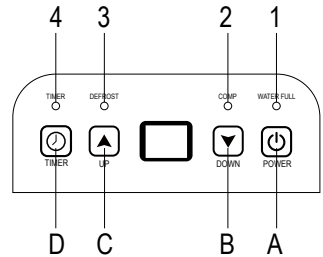
AVERTIZARI LEGATE DE SIGURANTA

Cand utilizati dezumidicatorul, va rugam sa urmariti avertizarile de siguranta de mai jos:
1. Deconectati aparatul de la sursa de alimentare electrica inainte de curatare sau intretinere si inainte de depozitare.
2. NU scufundati aparatul in apa, nu stropiti aparatul cu apa, nu amplasati aparatul langa o sursa de apa.
3. Nu amplasati aparatul in apropierea surselor de caldura sau langa materiale inflamabile sau periculoase.

4. Nu introduceti degetele sau alte obiecte in zona de refluxare sau absorbtie a aerului.
5. Nu va asezati pe aparat.
6. Goliti apa din recipient de fiecare data cand este necesar.
7. Nu porniti dezumidificatorul in spatii foarte mici, inchise cum sunt debaralele, dulapurile etc. Acest lucru poate cauza incendii.
8. Instalati furtunul de evacuare in cazul drenajului continuu astfel incat sa aiba cadere libera spre canalizare iar apa sa poata fi evacuata de la aparat spre canalizare.
9. In cazul in care cablul de alimentare este deteriorat, acesta trebuie inlocuit de furnizor sau de firma de service.

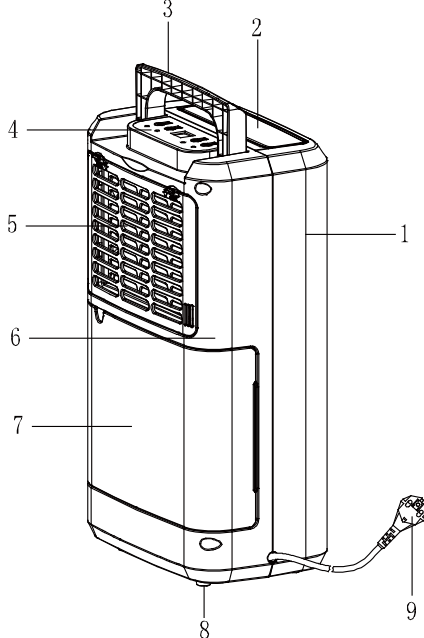
INSTRUCTIUNI DE UTILIZARE LED-URI INDICATOARE

1. RECIPIENT APA PLIN
2. LED FUNCTIONARE COMPRESOR
3. DEGIVRARE
4. LED TIMER



ECHIPAMENTUL

- Parti componente
1. Carcasa frontala
 2. Evacuare aer uscat
 3. Maner
 4. Panou control
 5. Compartiment filtru
 6. Carcasa spate
 7. Rezervor apa
 8. Picioruse cauciuc
 9. Cablu alimentare



Nivelul de umiditate & Timer-ul



Display-ul indica 3 functii:

1. Cand setati umiditatea, display-ul va indica umiditatea pe care o setati.
2. Cand programati timer-ul pentru pornirea si oprirea aparatului, display-ul va indica orele.
3. Cand umiditatea din aerul incaperii este sub valoarea de 35%, display-ul va indica LO.
4. Cand umiditatea din aerul incaperii este peste valoarea de 95%, display-ul va indica "HI".

Funcțiile butoanelor

A. buton pornire - oprire



B. Buton setare valori Descrescator



C. Buton setare valori Crescator




D. Buton timer




INSTRUCTIUNI DE UTILIZARE

1. Conectați unitatea.

2. Apasati butonul  pentru a porni aparatul. Apasati din nou pentru a opri functionarea.

3. Apasati butonul  sau  pentru a seta nivelul de umiditate dorit, intervalul pe care il puteti alege este intre 30% si 90% , la interval de 5%.

Dupa o perioada de functionare, cand umiditatea aerului din incapere este mai mica decat umiditatea setata cu 2%, compresorul se va opri iar ventilatorul va mai functiona inca 3 minute, dupa care se va opri si el. Cand nivelul de umiditate este egal sau mai mare decat cel setat cu 3%, compresorul va reporni dupa 3 minute de pauza.

4. Apasati butonul  pentru setarea timerului astfel:
 Apasati butonul pentru a programa timpul in care doriti ca dezumidicatorul sa se opreasca. Cand doriti sa anulati modul Timer, apasati din nou butonul pentru a selecta timpul la valoarea 00. Intervalul de setare este 00-01-02.....23-24. Timpul programat nu se modifica in cazul in care aparatul se opreste din cauza recipientului de apa plin.

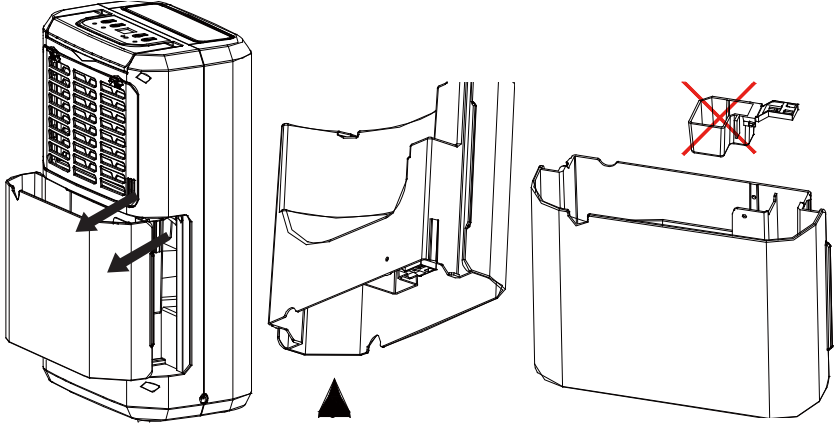
Notă: Când umiditatea ambientală atinge ceea ce ați setat înainte, atât compresorul cât și motorul ventilatorului se opresc mai întâi timp de 60 de minute, iar apoi motorul ventilatorului funcționează timp de 3 minute pentru a detecta umiditatea, dacă este mai mare decât setat, atât compresorul cât și motorul funcționează din nou fungerer Dacă este mai mic decât setat, atât compresorul cât și motorul se opresc timp de 60 de minute, iar apoi motorul funcționează din nou timp de 3 minute;”

EVACUAREA APEI COLECTATE

Cand recipientul de colectare a apei este plin, led-ul indicator se va porni, functionarea dezumidificatorului fiind automat oprita. Veti auzi un semnal sonor (15 beep-uri) pentru a alerta utilizatorul legat de golirea recipientului.

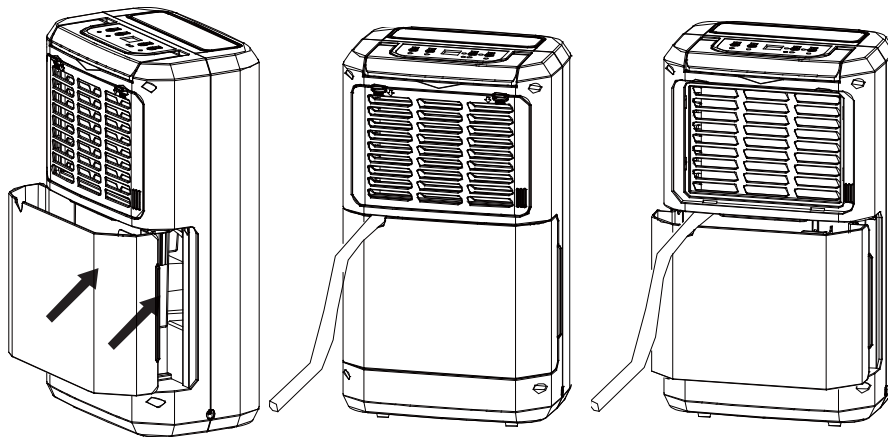
Golirea recipientului

1. Apasati usor lateralele recipientului cu ambele maini si extrageti incet recipientul.
2. Aruncati apa colectata.



ATENTIE!

1. Nu detasati si nu indepartati plutitorul din cuva recipientului. Senzorul care detecteaza nivelul apei nu va mai putea functiona corect si aparatul va dezumidifica in continuare, existand posibilitatea de scurgeri de apa.
2. Daca recipientul de apa este murdar, curatati-l cu o laveta moale si apa calduta. Nu utilizati detergent, substante sau produse abrazive sau substante agresive, nu folositi benzina, diluant sau alti solventi care pot degrada recipientul si cauza scurgeri de apa.
3. Cand reasezati recipientul la locul lui, apasati recipientul si pozitionati-l tinandu-l cu ambele maini. Daca recipientul nu este pozitionat corect, senzorul Recipient plin se va activa si dezumidificatorul nu va putea functiona.



Evacuarea condensului direct la canalizare

Aparatul este prevazut cu optiunea de evacuare in mod continuu a apei colectate. Folosind un furtun din plastic (cu diametrul interior de 10 mm), racordati-l la gura de evacuare a aparatului si capatul liber la canalizare. Asigurati-va ca aveti cadere libera a apei de la aparat spre canalizare.

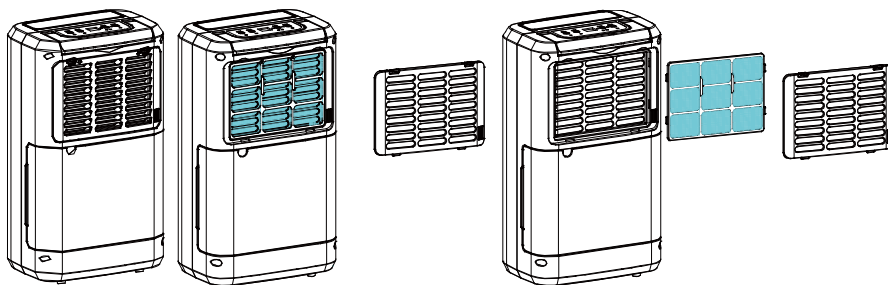
INTRETINERE

Curatarea dezumidicatorului

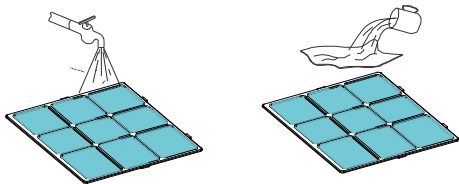
Curatarea carcasei: Stergeti carcasa cu o laveta moale, umeda.

Curatarea filtrului de aer

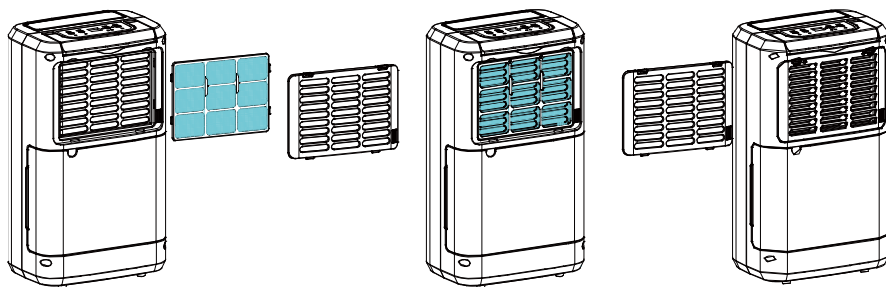
1. Deschideti grila de protectie si scoateti filtrul de aer.



2. Curatati filtrul de aer: Filtrul de aer poate fi aspirat cu un aspirator, pe turatia mica. In cazul in care filtrul este foarte murdar, el poate fi curatat cu apa calduta sau folosind apa si detergent de vase.



3. Reasezarea filtrului de aer: Introduceți filtrul de aer în locul său, amplasați grilajul peste.



Depozitarea dezumidicatorului.

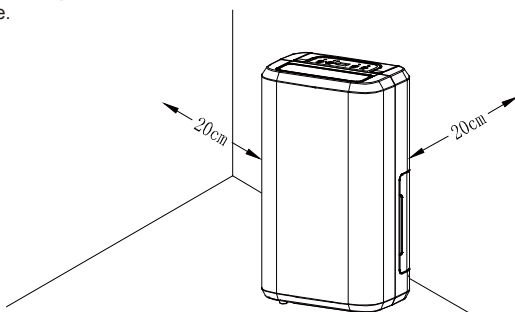
Când aparatul nu este utilizat pentru o perioadă mai lungă de timp și doriți să îl depozitați, vă rugăm să urmați pașii de mai jos:

1. Goliti recipientul de apă.
2. Pliati cablul de alimentare și amplasați-l în cuva.
3. Curățați filtrul de aer.
4. Depozitați într-un loc uscat și răcoros.

Amplasare: Pastrați o distanță minimă în jurul dezumidicatorului când acesta este în funcțiune, așa cum este prezentat în imaginea alăturată.

PROBLEME DE FUNCȚIONARE

În cazul în care întâlniți una dintre situațiile de mai jos, vă rugăm să verificați dacă aceasta poate fi remediată conform indicațiilor din tabel sau contactați unitatea de service.



Problema	Cauza posibila	Solutie
Aparatul nu functioneaza	Cablul de alimentare este conectat la priza?	Conectati stecherul cablului de alimentare la priza.
	Led-ul pentru recipient plin este pornit? (recipientul este plin sau este amplasat intr-o pozitie gresita.)	Goliti recipientul de apa si repositionati-l la locul sau.
Aparatul nu dezumidifica	Temperatura din incapere este peste 35° sau sub 5°?	Protectia termica a echipamentului este activata si aparatul nu va porni.
	Filtrul de aer este murdar?	Curatati filtrul de aer asa cum este specificat in sectiunea Curatare filtru aer.
Nu exista flux de aer	Fanta de refulare sau absorbtie a aerului este obturata?	Indepartati obstructionarea zonelor de absorbtie si refulare a aerului.
Functionarea este zgomotoasa	Filtrul de aer este murdar?	Curatati filtrul de aer asa cum este specificat in sectiunea Curatare filtru aer.

Acest aparat nu este destinat utilizării de către persoane (inclusiv copii) cu capacități fizice, senzoriale sau mentale reduse sau lipsă de cunoștințe, cu excepția cazului în care au fost supravegheate sau instrucțiuni privind utilizarea aparatului de către o persoană responsabilă pentru siguranța acestora.

Copiii trebuie supravegheați pentru a vă asigura că nu se joacă cu aparatul.

Dacă cablul de alimentare este deteriorat, acesta trebuie înlocuit cu un cablu special sau cu un ansamblu disponibil de la producător sau agentul său de service.



Acest marcaj indică faptul că acest produs nu trebuie aruncat împreună cu alte deșeuri menajere în întreaga UE. Pentru a preveni posibilele daune asupra mediului sau sănătății umane din eliminarea necontrolată a deșeurilor, reciclați-o în mod responsabil pentru a promova reutilizarea durabilă a resurselor materiale. Pentru a vă întoarce produsul, utilizați sistemele de returnare și colectare sau contactați distribuitorul unde a fost achiziționat produsul. Aceștia pot lua acest produs pentru reciclarea ecologică.



Εύφλεκτο υλικό. Αυτή η συσκευή περιέχει R290/Προπάνιο ένα εύφλεκτο ψυκτικό μέσο το R290/Προπάνιο. Ανατρέξτε σε αυτό το εγχειρίδιο για πληροφορίες για την ασφάλεια. Το ψυκτικό αέριο R290 συμμορφώνεται με τις Ευρωπαϊκές περιβαλλοντικές οδηγίες. Μην τρυπήσετε ή κάψετε. Η συντήρηση και οι επισκευές που απαιτούν τη βοήθεια άλλου ειδικευμένου προσωπικού πρέπει να διεξάγονται υπό την επίβλεψη ειδικών για τη χρήση εύφλεκτων ψυκτικών μέσων.



Ανατρέξτε σε αυτό το εγχειρίδιο για πληροφορίες για την ασφάλεια



Διαβάστε το τεχνικό εγχειρίδιο



Διαβάστε το εγχειρίδιο χειριστή.

ΠΛΗΡΟΦΟΡΙΕΣ ΓΙΑ ΤΗΝ ΑΣΦΑΛΕΙΑ



Πριν από την εγκατάσταση και τη χρήση της συσκευής, διαβάστε προσεκτικά τις παρεχόμενες οδηγίες. Ο κατασκευαστής δεν ευθύνεται σε περίπτωση πρόκλησης τραυματισμού και ζημιών λόγω εσφαλμένης

εγκατάστασης και χρήσης. Φυλάσσετε πάντα τις οδηγίες μαζί με τη συσκευή για μελλοντική αναφορά.

Ασφάλεια για τα παιδιά και τα ευάλωτα άτομα

ΠΡΟΕΙΔΟΠΟΙΗΣΗ



Κίνδυνος τραυματισμού ή μόνιμης αναπηρίας. Αυτή η συσκευή μπορεί να χρησιμοποιηθεί από παιδιά ηλικίας 8 ετών και άνω και άτομα με μειωμένη σωματική, αισθητηριακή ή διανοητική ικανότητα ή με έλλειψη εμπειρίας και γνώσης, υπό την επίβλεψη τρίτων ή εάν έχουν λάβει οδηγίες σχετικά με τη χρήση της συσκευής με ασφαλή τρόπο και έχουν κατανόησει τους κινδύνους που σχετίζονται με τη χρήση της. Μην αφήνετε τα παιδιά να παίζουν με τη συσκευή.

Τα παιδιά ηλικίας κάτω των 3 ετών θα πρέπει να παραμένουν σε απόσταση, εκτός εάν εποπτεύονται συνεχώς. Κρατήστε όλες τις συσκευασίες μακριά από τα παιδιά. Ο καθαρισμός και η συντήρηση από το χρήστη δεν θα πρέπει να γίνεται από παιδιά χωρίς επίβλεψη.

Γενικοί κανόνες για την ασφάλεια

Αυτή η συσκευή προορίζεται για χρήση σε οικιακές και παρόμοιες εφαρμογές, όπως: – μπάνια, χώρους κουζίνας προσωπικού σε καταστήματα, γραφεία και άλλα περιβάλλοντα εργασίας. Η πινακίδα των τεχνικών χαρακτηριστικών

βρίσκεται στο πίσω μέρος του αφυγραντήρα. Διατηρήστε καθαρά τα ανοίγματα εξαερισμού και χωρίς παρεμπόδιση.

Μην χρησιμοποιείτε μηχανικές συσκευές ή άλλα μέσα για να επιταχύνετε τη διαδικασία απόψυξης, εκτός από αυτά που συνιστώνται από τον κατασκευαστή. Η συσκευή δεν πρέπει να φυλάσσεται σε χώρους με πηγές ανάφλεξης σε συνεχή λειτουργία (για παράδειγμα, ανοιχτές φλόγες, συσκευές φυσικού αερίου σε λειτουργία ή ηλεκτρικές θερμάστρες σε λειτουργία. Μην τρυπήσετε ή κάψετε.

Να γνωρίζετε ότι τα ψυκτικά μέσα μπορεί να μην γίνουν αντιληπτά μέσω της οσμής. Μην χρησιμοποιείτε ψεκαστήρες νερού και ατμού για τον καθαρισμό της συσκευής. Καθαρίστε τη συσκευή με ένα υγρό μαλακό πανί. Χρησιμοποιείτε μόνο ουδέτερα απορρυπαντικά. Μην χρησιμοποιείτε λειαντικά προϊόντα, λειαντικά σφουγγαράκια καθαρισμού, διαλύτες ή μεταλλικά αντικείμενα. Εάν το καλώδιο τροφοδοσίας είναι κατεστραμμένο, πρέπει να αντικατασταθεί από τον κατασκευαστή, το εξουσιοδοτημένο κέντρο σέρβις του ή άτομα με παρόμοια εξειδίκευση, προκειμένου να αποφευχθεί κάποιος κίνδυνος.

ΟΔΗΓΙΕΣ ΓΙΑ ΤΗΝ ΑΣΦΑΛΕΙΑ

Εγκατάσταση

ΠΡΟΕΙΔΟΠΟΙΗΣΗ



Μόνο ένα ειδικευμένο άτομο

πρέπει να εγκαταστήσει αυτή τη συσκευή.
Αφαιρέστε όλες τις συσκευασίες.
Μην εγκαθιστάτε ή χρησιμοποιείτε μια κατεστραμμένη συσκευή. Η συσκευή πρέπει να εγκαθίσταται, να λειτουργεί και να φυλάσσεται σε χώρους με εμβαδόν δαπέδου μεγαλύτερο από 4m². Τηρείτε τις οδηγίες εγκατάστασης που παρέχονται με τη συσκευή. Να είστε πάντα προσεκτικοί όταν μετακινείτε τη συσκευή επειδή είναι βαριά. Πάντα να φοράτε γάντια ασφαλείας.


Βεβαιωθείτε ότι ο αέρας μπορεί να κυκλοφορεί γύρω από τη συσκευή.
Περιμένετε τουλάχιστον 4 ώρες πριν συνδέσετε τη συσκευή στην τροφοδοσία ρεύματος. Αυτό πρέπει να τηρηθεί ώστε να επιστρέψει το λάδι στον συμπιεστή.
Μην εγκαθιστάτε τη συσκευή κοντά σε θερμαντικά σώματα ή άλλες πηγές θερμότητας.
Μην εγκαθιστάτε τη συσκευή εκεί όπου υπάρχει άμεσο ηλιακό φως. Αυτή η συσκευή προορίζεται μόνο για χρήση σε εσωτερικούς χώρους. Βεβαιωθείτε ότι η μονάδα τοποθετείται σε σταθερή και επίπεδη επιφάνεια. Εάν η επιφάνεια δεν είναι σταθερή υπάρχει κίνδυνος η μονάδα να είναι ασταθής και να προκαλέσει υπερβολικές δονήσεις, με αποτέλεσμα την έκλυση νερού.

Ηλεκτρική σύνδεση

ΠΡΟΕΙΔΟΠΟΙΗΣΗ 

Κίνδυνος πυρκαγιάς και ηλεκτροπληξίας.
Η συσκευή πρέπει να συνδέεται σε μια γειωμένη πρίζα. Βεβαιωθείτε ότι τα ηλεκτρολογικά στοιχεία στην πινακίδα των τεχνικών χαρακτηριστικών ταιριάζουν με την τροφοδοσία ρεύματος. Αν όχι, επικοινωνήστε με έναν ηλεκτρολόγο.
Να χρησιμοποιείτε πάντα μια σωστά εγκατεστημένη αντικραδασμική πρίζα.
Μην χρησιμοποιείτε πολύμπριζα και καλώδια επέκτασης ή μπαλαντέζες.
Φροντίστε να μην προκαλέσετε βλάβη στα ηλεκτρικά εξαρτήματα (π.χ. βύσμα τροφοδοσίας, καλώδιο τροφοδοσίας).
Επικοινωνήστε με το εξουσιοδοτημένο κέντρο σέρβις ή έναν ηλεκτρολόγο για να αλλάξετε τα ηλεκτρικά εξαρτήματα.
Το καλώδιο τροφοδοσίας πρέπει να παραμείνει κάτω από το επίπεδο του βύσματος τροφοδοσίας.
Συνδέστε το βύσμα τροφοδοσίας στην πρίζα τροφοδοσίας μόνο στο τέλος της εγκατάστασης.
Βεβαιωθείτε ότι υπάρχει πρόσβαση στο βύσμα τροφοδοσίας μετά την εγκατάσταση.
Μην τραβάτε το καλώδιο τροφοδοσίας για να αποσυνδέσετε τη συσκευή. Πάντα να τραβάτε το βύσμα.


Χρήση

ΠΡΟΕΙΔΟΠΟΙΗΣΗ 
Κίνδυνος τραυματισμού, εγκαυμάτων, ηλεκτροπληξίας

ή πυρκαγιάς.

Μην αλλάζετε την προδιαγραφή αυτής της συσκευής.
Προσέξτε να μην προκαλέσετε βλάβη στο κύκλωμα του ψυκτικού μέσου. Περιέχει προπάνιο (R290), ένα φυσικό αέριο με υψηλό επίπεδο περιβαλλοντικής συμβατότητας. Το αέριο αυτό είναι εύφλεκτο.
Εάν προκληθεί ζημιά στο κύκλωμα του ψυκτικού μέσου, βεβαιωθείτε ότι δεν υπάρχουν φλόγες και άλλες πηγές ανάφλεξης στο χώρο. Αερίστε το χώρο.
Μην βάζετε εύφλεκτα προϊόντα ή αντικείμενα που έχουν βραχεί με εύφλεκτα προϊόντα, κοντά ή πάνω στη συσκευή.

Απόρριψη

ΠΡΟΕΙΔΟΠΟΙΗΣΗ 
Κίνδυνος τραυματισμού.
Αποσυνδέστε τη συσκευή από την τροφοδοσία ρεύματος.
Κόψτε το καλώδιο ρεύματος και απορρίψτε το.
Το κύκλωμα του ψυκτικού μέσου αυτής της συσκευής είναι φιλικό προς το όζον. Επικοινωνήστε με τη δημοτική αρχή για πληροφορίες σχετικά με τη σωστή απόρριψη της συσκευής.
Μην προκαλείτε βλάβη στο τμήμα της ψυκτικής μονάδας που βρίσκεται κοντά στον εναλλάκτη θερμότητας.
Πάντα να φροντίζετε για την καθαριότητα της συσκευής.
Μην καλύπτετε τη μονάδα.

Ευχαριστούμε

Σας ευχαριστούμε που επιλέξατε ένα προϊόν της Wood. Είστε ένα από τα περισσότερα από 600.000 άτομα που έχουν επιλέξει την Wood για να αποτρέψουν την πρόκληση ζημιών από την υπερβολική υγρασία και τη μούχλα. Προερχόμενη από τον Καναδά με έτος ίδρυσης το 1950, η Wood διαθέτει περισσότερα από 60 χρόνια εμπειρίας στην ανάπτυξη και την κατασκευή αφυγραντήρων. Όταν επιλέγετε έναν αφυγραντήρα της Wood, θα έχετε στην κατοχή σας μια μονάδα υψηλής ποιότητας, υψηλής ικανότητας η οποία θα εξάγει τα περισσότερα λίτρα ανά καταναλωθείσες kWh.

Λειτουργία του αφυγραντήρα σας

Το Wood M10G είναι ένας αφυγραντήρας με συμπιεστή. Καθώς ο αέρας αναρροφάται από τον αφυγραντήρα με τον ανεμιστήρα, περνά πάνω από τα πηνία χαλκού που ψύχονται από τον συμπιεστή. Τα πηνία κρυώνουν τους υδρατμούς, διαχωρίζοντας το νερό από τον αέρα.

Το νερό στάζει από τα πηνία και αποστραγγίζεται μέσω του σωλήνα νερού. Αυτό που μένει είναι ο ξηρός αέρας ο οποίος εξέρχεται στο δωμάτιο. Καθώς ο αφυγραντήρας συμπυκνώνει τους υδρατμούς, εκλύεται θερμική ενέργεια. Αυτός είναι ο λόγος για τον οποίο ένας αφυγραντήρας με συμπιεστή εξάγει ξηρό αέρα ο οποίος είναι ιδιαίτερα ωφέλιμος για το στέγνωμα των ρούχων, την ξήρανση των ξύλων, κ.λπ.

Ένας αφυγραντήρας με συμπιεστή είναι ο πιο αποδοτικός ενεργειακά τρόπος για να απομακρύνετε περίσσεια υγρασία και κακοσμίες. Διατηρήστε το επίπεδο σχετικής υγρασίας μεταξύ 50% και 60% για ένα ασφαλές και υγιεινό εσωτερικό περιβάλλον.

1. Εγκατάσταση και τοποθέτηση

Οι αφυγραντήρες της Wood μετακινούνται εύκολα, αλλά πρέπει να λαμβάνετε υπόψη τα παρακάτω.

- Ο αφυγραντήρας δεν πρέπει να τοποθετείται κοντά σε θερμαντικά σώματα ή άλλες πηγές θερμότητας ή να εκτίθεται στο άμεσο ηλιακό φως, καθώς έτσι μειώνεται η απόδοσή του.

- Διατηρείτε τον σε απόσταση τουλάχιστον 25 εκατοστά από τους τοίχους και άλλα εμπόδια προκειμένου να μεγιστοποιήσετε την κυκλοφορία του αέρα.
- Για βέλτιστη απόδοση, τοποθετήστε τον αφυγραντήρα στο κέντρο του δωματίου.
- Βεβαιωθείτε ότι δεν εμποδίζεται η κυκλοφορία του αέρα από την είσοδο και την έξοδο

Εγκατάσταση:

1. Τοποθετήστε τον αφυγραντήρα σε επίπεδο και στερεό έδαφος, κατά προτίμηση στο κέντρο του δωματίου.
2. Κλείστε όλα τα παράθυρα και τους εξαεριστήρες στο δωμάτιο. Διαφορετικά, υγρός αέρας από το εξωτερικό περιβάλλον θα συνεχίσει να εισέρχεται στο δωμάτιο.
3. Συνδέστε τον αφυγραντήρα σε γειωμένη πρίζα.

Εάν μετακινείτε τον αφυγραντήρα οριζόντια, μπορεί να εξέλθει λάδι από τον συμπιεστή και να εισχωρήσει στο κλειστό σύστημα σωληνώσεων. Σε μια τέτοια περίπτωση, αφήστε τον αφυγραντήρα ακίνητο για λίγες ώρες πριν τον χρησιμοποιήσετε. Είναι πολύ σημαντικό το λάδι να επιστρέψει στον συμπιεστή, διαφορετικά ο αφυγραντήρας μπορεί να υποστεί σοβαρή ζημιά.

2. Χρήση του M10G

Έλεγχος με υγροστάτη

Η μονάδα θα λειτουργεί μόνο όταν η υγρασία του περιβάλλοντος υπερβεί την τιμή που έχετε ορίσει.

Αυτόματη επανεκκίνηση

Σε περίπτωση διακοπής ρεύματος, η μονάδα θα συνεχίσει να λειτουργεί σύμφωνα με τις τελευταίες ρυθμίσεις σας μόλις επανέλθει το ρεύμα.

Αυτόματη απόψυξη

Απόψυξη της μονάδας γίνεται αυτόματα όταν χρειάζεται και η λειτουργία της επανέρχεται όταν ολοκληρωθεί η απόψυξη.

Κατά την απόψυξη, ο συμπιεστής απενεργοποιείται και ανάβει η φωτεινή ένδειξη απόψυξης.

Ενεργοποιήστε και απενεργοποιήστε τον αφυγραντήρα πατώντας το κουμπί ON/OFF.

Όταν ο συμπιεστής λειτουργεί, ανάβει το φως του συμπιεστή.

Ρύθμιση της επιθυμητής υγρασίας

Πατήστε το πάνω και το κάτω βέλος για να επιλέξετε το επιθυμητό επίπεδο υγρασίας μεταξύ 30% και 90%. Ο αφυγραντήρας θα σταματήσει να λειτουργεί όταν επιτευχθεί το επιθυμητό επίπεδο υγρασίας. Η τιμή που έχετε καθορίσει εμφανίζεται στην οθόνη για λίγα δευτερόλεπτα. Στη συνέχεια, στην οθόνη εμφανίζεται πάλι το επίπεδο υγρασίας περιβάλλοντος. Πατήστε το κάτω βέλος μέχρι στην οθόνη να εμφανιστεί η ένδειξη CO (continuos-συνεχής λειτουργία) αν θέλετε ο αφυγραντήρας να λειτουργεί συνεχώς. Αν επιλέξετε αυτήν τη λειτουργία, ανεξάρτητα από την υγρασία του δωματίου, η συσκευή θα λειτουργεί συνεχώς.

Όταν το επίπεδο υγρασίας περιβάλλοντος είναι κάτω από 35%, στην οθόνη εμφανίζεται η ένδειξη LO (low-χαμηλό). Όταν το επίπεδο υγρασίας περιβάλλοντος είναι κάτω από 95%, στην οθόνη εμφανίζεται η ένδειξη HI (high-υψηλό).

ΣΗΜΕΙΩΣΗ: όταν επιτευχθεί το επιθυμητό επίπεδο υγρασίας, ο ανεμιστήρας θα συνεχίσει να λειτουργεί για μερικά λεπτά πριν σταματήσει εντελώς.

Ρύθμιση χρονοδιακόπτη για αυτόματη απενεργοποίηση

Πατήστε επανειλημμένα το κουμπί χρονοδιακόπτη για να ενεργοποιήσετε τον χρονοδιακόπτη ώστε να απενεργοποιηθεί αυτόματα μετά από 1 έως 24 ώρες. Όταν ενεργοποιηθεί θα ανάψει η φωτεινή ένδειξη του χρονοδιακόπτη. Η τιμή που έχετε καθορίσει εμφανίζεται στην οθόνη για λίγα δευτερόλεπτα. Στη συνέχεια, στην οθόνη εμφανίζεται πάλι το επίπεδο υγρασίας περιβάλλοντος. Πατήστε το κουμπί του χρονοδιακόπτη μέχρι στην οθόνη να εμφανιστεί η ένδειξη 0 και η φωτεινή ένδειξη του χρονοδιακόπτη να σβήσει για να απενεργοποιηθεί η λειτουργία χρονοδιακόπτη. Εάν ο αφυγραντήρας κλείσει από τον χρονοδιακόπτη, πρέπει να πατήσετε το κουμπί ενεργοποίησης για να ξεκινήσει πάλι η λειτουργία του.

4. Αποστράγγιση

Όταν το δοχείο νερού γεμίσει, ο αφυγραντήρας απενεργοποιείται αυτόματα.

Μόλις αδειάσει το δοχείο νερού, η μονάδα ενεργοποιείται αυτόματα.

1. Αποσυνδέστε τον αφυγραντήρα από την πηγή τροφοδοσίας.
2. Αδειάστε το δοχείο νερού.
3. Επιστρέψτε στη θέση του το άδειο δοχείο νερού και ελέγξε ότι ο πλωτήρας κινείται ελεύθερα.
4. Συνδέστε τον αφυγραντήρα στην πηγή τροφοδοσίας.

Άμση αποστράγγιση

Συνδέστε ένα εύκαμπτο σωλήνα νερού (10 mm) στο σωλήνα στο πίσω μέρος του αφυγραντήρα. Οδηγήστε το άλλο άκρο σε αποχέτευση. Βεβαιωθείτε ότι το νερό αδειάζει προς τα κάτω.

5. Το φίλτρο αέρα

Το φίλτρο αέρα αποτρέπει την είσοδο της σκόνης και τη βρωμιάς στη συσκευή, παρατείνοντας την πιθανή διάρκεια ζωής της. Είναι σημαντικό το φίλτρο καθαρίζεται τακτικά. Καθαρισμός φίλτρου:

1. Αφαιρέστε το φίλτρο.
2. Πλύνετε το φίλτρο με ζεστό νερό και ένα ήπιο καθαριστικό. Εναλλακτικά, μπορείτε να καθαρίσετε το φίλτρο με ηλεκτρική σκούπα.
3. Αφήστε το φίλτρο να στεγνώσει και τοποθετήστε το ξανά στη θέση του

Είναι πολύ σημαντικό το φίλτρο να καθαρίζεται τακτικά. Σε αντίθετη περίπτωση, η αφυγραντήρας μπορεί να χάσει την ικανότητά του και να υποστεί σοβαρές ζημιές.

6. Συντήρηση

- Καθαρίστε τη μονάδα με μαλακό υγρό πανί. Μην χρησιμοποιείτε διαλύτες ή ισχυρά καθαριστικά, καθώς αυτές οι ουσίες μπορούν να βλάψουν την επιφάνεια της μονάδας.

- Τα πηνία ψύξης καθαρίζονται καλύτερα με ράκι και ζεστό νερό.

7. Σέρβις

Εάν ο αφυγραντήρας χρήζει συντήρησης, πρέπει πρώτα να επικοινωνήσετε με τον πωλητή. Για οποιαδήποτε αξίωση εγγύησης απαιτείται η απόδειξη αγοράς.

8. Εγγυήσεις

2 έτη εγγύηση προϊόντος για βλάβες που οφείλονται στην παραγωγή. Σημειώστε ότι η εγγύηση ισχύει μόνο με την επίδειξη της απόδειξης αγοράς. Η εγγύηση ισχύει μόνο αν το προϊόν χρησιμοποιείται σύμφωνα με τις οδηγίες και τις προειδοποιήσεις ασφαλείας που αναφέρονται ρητά στο παρόν εγχειρίδιο. Η εγγύηση δεν καλύπτει ζημιές που προκαλούνται από ακατάλληλο χειρισμό του προϊόντος.

ΣΗΜΕΙΩΣΗ: Η εγγύηση 2 ετών ισχύει μόνο για οικιακή και όχι για επαγγελματική χρήση της μονάδας.

Αυτή η συσκευή συμμορφώνεται με τις οδηγίες 76/889 και 82/499 της ΕΟΚ

Η μονάδα έχει ρυθμιστεί να λειτουργεί μεταξύ +5°C και +35°C.

Εάν η θερμοκρασία υπερβεί τα όρια αυτού του διαστήματος, η μονάδα ενδέχεται να μην λειτουργεί σωστά.

9. Υποδείξεις

Μερικές φορές μπορεί να είναι χρήσιμο να χρησιμοποιήσετε ένα μέσο αντιπαγωτικής προστασίας ή ένα αερόθερμο για να βεβαιωθείτε ότι η θερμοκρασία δεν πέφτει κάτω από τους +10°C. Ακόμα κι αν το M10G λειτουργεί κάτω σε χαμηλές θερμοκρασίες έως +5°C, η απόδοσή του θα αυξάνεται σε υψηλότερες θερμοκρασίες, καθώς ο ζεστός αέρας φέρει περισσότερο νερό.

Για τη μέγιστη ισχύ αφύγρανσης σε ένα δωμάτιο, συνιστάται η ελαχιστοποίηση της παροχής αέρα από το εξωτερικό περιβάλλον και από διπλανά δωμάτια – κλείστε τις πόρτες και τους εξεριστήρες.

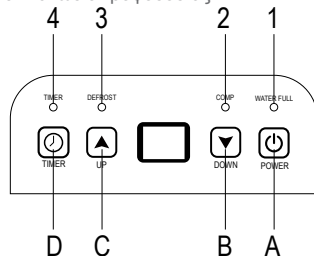
Πρέπει να αναμένετε υψηλότερη ικανότητα αφύγρανσης κατά τη διάρκεια του φθινοπώρου και του καλοκαιριού επειδή ο εξωτερικός αέρας είναι θερμότερος και πιο υγρός.

Για ασφαλή και αξιόπιστη προστασία από ζημιές λόγω μούχλας και υγρασίας, διατηρείτε τη σχετική υγρασία μεταξύ 50% και 60%.

ΕΞΑΡΤΗΜΑΤΑ

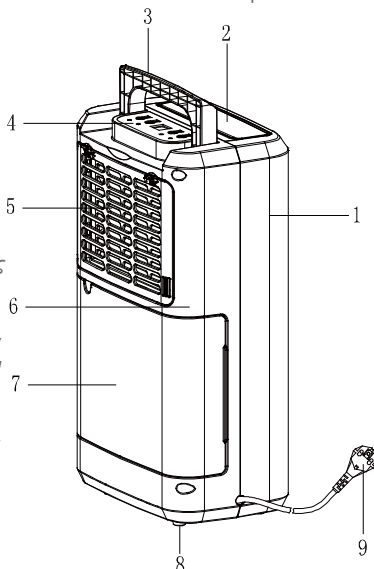
Επιμέρους στοιχεία

1. Μπροστινό κέλυφος
2. Έξοδος
3. Λαβή
4. Πίνακας ελέγχου
5. Κουτί φίλτρου
6. Πίσω κέλυφος
7. Δοχείο
8. Πόδια από καουτσούκ
9. Καλώδιο τροφοδοσίας



ΟΔΗΓΙΕΣ ΛΕΙΤΟΥΡΓΙΑΣ ΕΝΔΕΙΚΤΙΚΕΣ ΛΥΧΝΙΕΣ LED

1. ΛΥΧΝΙΑ LED ΠΛΗΡΟΥΣ ΔΟΧΕΙΟΥ ΝΕΡΟΥ Κόκκινο
2. ΛΥΧΝΙΑ LED ΣΥΜΠΙΕΣΤΗ Μπλε
3. ΛΥΧΝΙΑ LED ΑΠΟΨΥΞΗΣ Μπλε
4. ΛΥΧΝΙΑ LED ΧΡΟΝΟΔΙΑΚΟΠΤΗ Πράσινο







Οθόνη 2 ψηφίων για επίπεδο υγρασίας & χρονοδιακόπτη



Η ένδειξη διαθέτει 3 λειτουργίες:

1. Όταν ρυθμίσετε την υγρασία, θα δείχνει το ποσοστό υγρασίας που ορίσατε
2. Όταν προγραμματίσετε το χρόνο για την ενεργοποίηση και απενεργοποίηση της συσκευής, θα δείχνει τις ώρες.
3. Όταν η υγρασία του περιβάλλοντος είναι χαμηλότερη από 35%, θα δείχνει "LO"
4. Όταν η υγρασία του περιβάλλοντος είναι υψηλότερη από 95%, θα δείχνει "HI"



Λειτουργίες κουμπιών


- | | |
|--|---|
| A. κουτί ενεργοποίησης - απενεργοποίησης |  |
| B. κουμπί ορισμού κατώτατης τιμής |  |
| C. κουμπί ορισμού ανώτατης τιμής |  |
| D. κουμπί χρονοδιακόπτη |  |

ΟΔΗΓΙΕΣ ΛΕΙΤΟΥΡΓΙΑΣ

1. Συνδέστε τη μονάδα.

2. Πατήστε το κουμπί  μία φορά για να ξεκινήσει η λειτουργία. Πατήστε το ξανά για να διακόψετε τη λειτουργία.

3. Πατήστε το κουμπί  ή το κουμπί  για να ορίσετε το επιθυμητό επίπεδο υγρασίας στο δωμάτιο, το οποίο μπορεί να ρυθμιστεί από 30% έως 90% ανά 5%. Μετά από μια περίοδο λειτουργίας, όταν η υγρασία του περιβάλλοντος είναι χαμηλότερη από την επιλεγμένη υγρασία κατά 2%, ο συμπιεστής θα σταματήσει και ο ανεμιστήρας θα συνεχίσει να λειτουργεί για ακόμα 3 λεπτά. Όταν η υγρασία του περιβάλλοντος είναι ίση ή υψηλότερη από την επιλεγμένη υγρασία κατά 3%, ο συμπιεστής θα ξεκινήσει πάλι αφού παρέλθει η περίοδος προστασίας του συμπιεστή που διαρκεί 3 λεπτά.

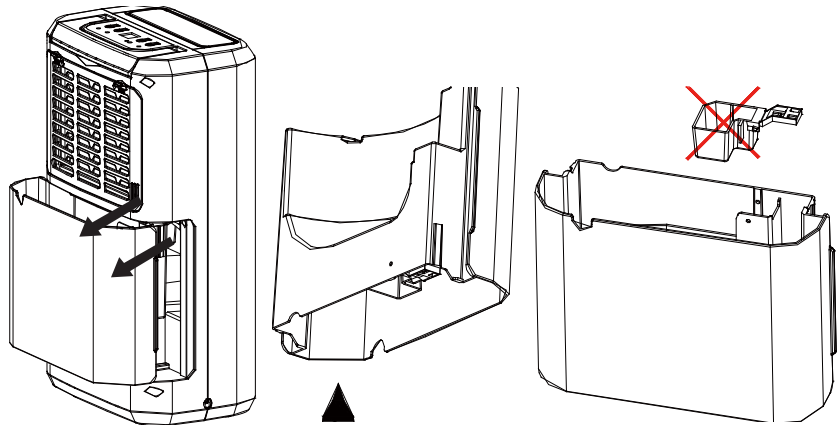
4. Πατήστε το κουμπί  για να ρυθμίσετε τον χρονοδιακόπτη: Πατήστε το κουμπί για να προγραμματίσετε την ώρα ενεργοποίησης και απενεργοποίησης της μονάδας. Αν θέλετε να ακυρώσετε τον προγραμματισμό του χρονοδιακόπτη, πατήστε το κουμπί για να ρυθμίσετε την ώρα στο 00 και πατήστε το κουμπί ξανά για να επιλέξετε μεταξύ των τιμών 00-01-02.....23-24. Αυτές οι τιμές ορίζουν μετά από πόσες ώρες θα ενεργοποιηθεί η συσκευή. Ο χρόνος που προγραμματίσατε θα ακυρωθεί αν ενεργοποιήσετε τη συσκευή χειροκίνητα. Ο χρόνος που προγραμματίσατε παραμένει αμετάβλητος εάν η συσκευή σταματήσει να λειτουργεί επειδή γέμισε το δοχείο νερού ή τέθηκε σε λειτουργία η απόψυξη

ΑΠΟΣΤΡΑΓΓΙΣΗ ΤΟΥ ΣΥΛΛΕΧΘΕΝΤΟΣ ΝΕΡΟΥ

Όταν το δοχείο αποστράγγισης είναι γεμάτο, ανάβει η φωτεινή ένδειξη πλήρους δοχείου, η συσκευή σταματά να λειτουργεί αυτόματα και ενεργοποιείται ηχητικός συναγερμός που θα χτυπήσει 15 φορές για να ειδοποιηθεί ο χρήστης ότι πρέπει να αδειάσει το δοχείο αποστράγγισης.

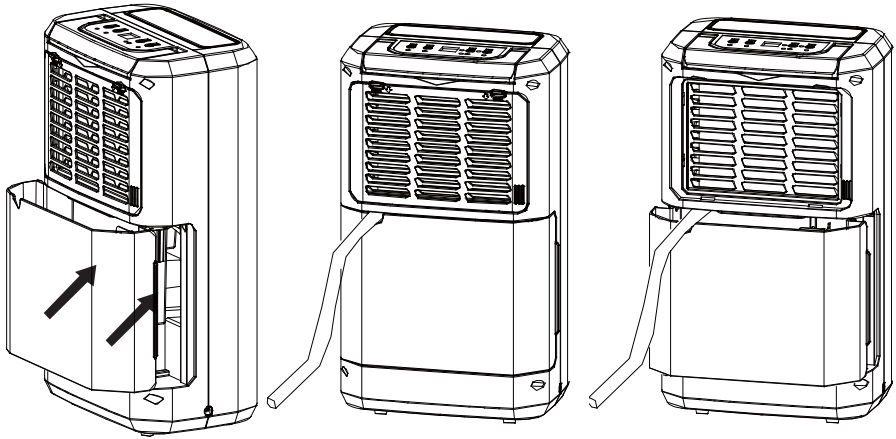
Εκκένωση του δοχείου αποστράγγισης

1. Πιέστε ελαφρά τις πλευρές του δοχείου και με τα δύο χέρια και τραβήξτε το δοχείο απαλά προς τα έξω.
2. Χύστε το νερό από το δοχείο



ΠΡΟΣΟΧΗ!

1. Μην αφαιρείτε τον πλωτήρα από το δοχείο νερού. Ο αισθητήρας γεμάτου δοχείου δεν θα μπορεί να ανιχνεύσει σωστά τη στάθμη του νερού χωρίς τον πλωτήρα και ενδέχεται να υπάρξει υπερχείλιση του νερού από το δοχείο.
2. Εάν το δοχείο αποστράγγισης είναι βρόμικο, πλύνετε το με κρύο ή χλιαρό νερό. Μην χρησιμοποιείτε απορρυπαντικά, βούρτσες καθαρισμού, χημικά επεξεργασμένα ξεσκονόπανα, βενζίνη, βενζόλιο, νέφτι ή άλλους διαλύτες, καθώς τέτοια μέσα ενδέχεται να προκαλέσουν γδαρσίματα και βλάβες στο δοχείο και να διαρροή νερού
3. Για να τοποθετήσετε ξανά στη θέση του το δοχείο αποστράγγισης, πιέστε το δοχείο σταθερά στη θέση του με τα δύο χέρια σας. Εάν το δοχείο δεν τοποθετηθεί σωστά, ο αισθητήρας πλήρους δοχείου θα ενεργοποιηθεί και ο αφυγραντήρας δεν θα λειτουργήσει.



Συνεχής αποστράγγιση νερού

Η μονάδα διαθέτει άνοιγμα συνεχούς αποστράγγισης. Εισάγετε έναν πλαστικό σωλήνα (με εσωτερική διάμετρο 10mm) στο άνοιγμα αποστράγγισης (στην ενδιάμεση πλάκα), πιέστε τον από τα πλάγια του δοχείου νερού, τοποθετήστε το στη θέση του και τακτοποιήστε σωστά τον σωλήνα αποστράγγισης.

Το νερό που υπάρχει στο δοχείο αποστράγγισης θα αποστραγγίζεται από το άνοιγμα διαρκούς αποστράγγισης της μονάδας.

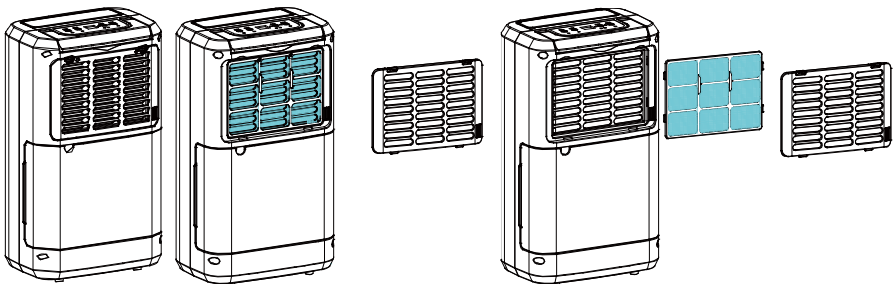
ΣΥΝΤΗΡΗΣΗ

Καθαρισμός του αφυγραντήρα

Για να καθαρίσετε το σώμα: Σκουπίστε το με μαλακό υγρό πανί.

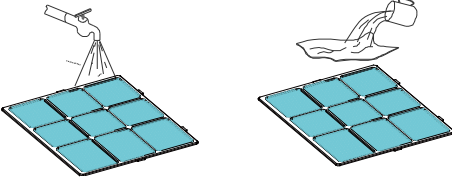
Για να καθαρίσετε το φίλτρο αέρα

1. Ανοίξτε τη σχάρα εισόδου και αφαιρέστε το φίλτρο αέρα



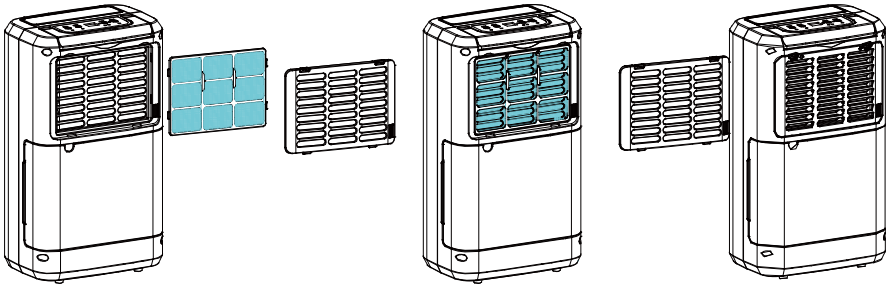
2. Καθαρίστε το φίλτρο αέρα

Σκουπίστε με ηλεκτρική σκούπα ελαφρώς την επιφάνεια του φίλτρου αέρα για να αφαιρέσετε τη βρωμιά. Εάν το φίλτρο αέρα είναι πολύ βρόμικο, πλύνετε το με ζεστό νερό και ένα ήπιο καθαριστικό και στεγνώστε καλά.



3. Τοποθετήστε το φίλτρο αέρα

Εισάγετε το φίλτρο στη σχάρα απαλά και επανατοποθετήστε τη σχάρα εισόδου στη σωστή θέση.



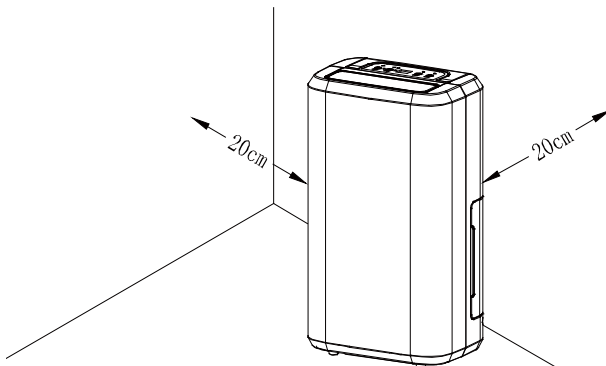
Αποθήκευση του αφυγραντήρα

Όταν η μονάδα δεν πρόκειται να χρησιμοποιηθεί για μεγάλο χρονικό διάστημα και θέλετε να την αποθηκεύσετε, εκτελέστε τα ακόλουθα βήματα:

1. Αδειάστε το νερό που έχει απομείνει στο δοχείο αποστράγγισης.
2. Μαζέψτε το καλώδιο τροφοδοσίας και βάλτε το μέσα στο δοχείο νερού.
3. Καθαρίστε το φίλτρο αέρα
4. Αποθηκεύστε σε δροσερό και ξηρό μέρος.

Αποστάσεις

Τηρείτε τις ελάχιστες αποστάσεις από άλλα αντικείμενα γύρω από τον αφυγραντήρα όταν λειτουργεί όπως φαίνεται στο αριστερό σχέδιο.



ΑΝΤΙΜΕΤΩΠΙΣΗ ΠΡΟΒΛΗΜΑΤΩΝ

Στις παρακάτω περιπτώσεις, ελέγξτε τις αντίστοιχες οδηγίες πριν καλέσετε το τμήμα εξυπηρέτησης πελατών.

Πρόβλημα	Πιθανή αιτία	Λύση
Η μονάδα δεν λειτουργεί	Έχει αποσυνδεθεί το καλώδιο τροφοδοσίας;	Συνδέστε το καλώδιο τροφοδοσίας στην πρίζα.
	Αναβοσβήνει η ένδειξη γεμάτου δοχείου; (Το δοχείο είναι γεμάτο ή έχει τοποθετηθεί λάθος.)	Αδειάστε το νερό που υπάρχει στο δοχείο αποστράγγισης και στη συνέχεια τοποθετήστε τη δεξαμενή στη σωστή θέση.
	Η θερμοκρασία του δωματίου είναι άνω των 35°C ή κάτω των 5°C;	Έχει ενεργοποιηθεί η λειτουργία προστασίας της συσκευής και δεν μπορεί να ξεκινήσει.
Η λειτουργία αφύγρανσης δεν λειτουργεί	Το φίλτρο αέρα είναι φραγμένο;	Καθαρίστε το φίλτρο αέρα σύμφωνα με τις οδηγίες της ενότητας "Καθαρισμός του αφυγραντήρα".
	Παραμποδίζεται ο αγωγός εισαγωγής ή ο αγωγός εξαγωγής;	Αφαιρέστε το εμπόδιο από τον αγωγό εξόδου ή τον αγωγό εισαγωγής.
Δεν εξάγεται αέρας	Το φίλτρο αέρα είναι φραγμένο;	Καθαρίστε το φίλτρο αέρα σύμφωνα με τις οδηγίες της ενότητας "Καθαρισμός του αφυγραντήρα".
Η συσκευή κάνει θόρυβο	Η μονάδα βρίσκεται υπό κλίση ή είναι ασταθής;	Μετακινήστε τη μονάδα σε μια σταθερή θέση.
	Το φίλτρο αέρα είναι φραγμένο;	Καθαρίστε το φίλτρο αέρα σύμφωνα με τις οδηγίες της ενότητας "Καθαρισμός του αφυγραντήρα".
Κωδικός σφάλματος "E1"	Ο αισθητήρας απόψυξης παρουσιάζει βλάβη.	Αντικαταστήστε τον αισθητήρα απόψυξης.

Τεχνικά στοιχεία για το Wood M10G

Μέγιστο καλυπτόμενο εμβαδόν	40 m ²
Προτεινόμενο μέγεθος δωματίου	2-30 m ²
Ροή αέρα	120 m ³ /h
Χωρητικότητα (στους 30°C & σε 80% σχετική υγρασία)	10 λίτρα
Ισχύς	280 W
Όγκος δοχείου	2 λίτρα
Επίπεδο θορύβου	42 dB
Θερμοκρασία λειτουργίας	+5°C έως +35°C
Ταχύτητες ανεμιστήρων	1
Διαστάσεις, Μ x Π x Υ	276 x 185 x 480 mm
Βάρος	9,5 κιλά
Ψυκτικό μέσο	R290
Κωδικός IP	IP21



Αυτή η σήμανση υποδεικνύει ότι αυτό το προϊόν δεν πρέπει να απορρίπτεται μαζί με άλλα οικιακά απόβλητα σε ολόκληρη την ΕΕ. Για την αποτροπή ενδεχόμενης βλάβης στο περιβάλλον ή στην ανθρώπινη υγεία από την ανεξέλεγκτη διάθεση αποβλήτων, ανακυκλώστε υπεύθυνα, για την προαγωγή της αειφόρου επαναχρησιμοποίησης υλικών πόρων. Για να επιστρέψετε τη συσκευή σας, χρησιμοποιήστε τα συστήματα επιστροφής και συλλογής ή επικοινωνήστε με το κατάστημα από το οποίο αγοράσατε το προϊόν. Μπορούν να παραλάβουν αυτό το προϊόν για περιβαλλοντικά ασφαλή ανακύκλωση.



Materiał łatwopalny. Urządzenie zawiera R290/Propan, który jest palnym czynnikiem chłodniczym. Informacje dotyczące bezpieczeństwa znajdują się w niniejszym podręczniku. Czynnik chłodniczy R290 jest zgodny z europejskimi dyrektywami środowiskowymi. Nie dziurawić i nie palić. Konserwacja i naprawy wymagające pomocy innego wykwalifikowanego personelu muszą być przeprowadzane pod nadzorem specjalistów w zakresie stosowania łatwopalnych czynników chłodniczych.



Informacje dotyczące bezpieczeństwa można znaleźć w tym podręczniku



Przeczytaj instrukcję techniczną



Przeczytaj instrukcję obsługi.

INFORMACJE DOTYCZĄCE BEZPIECZEŃSTWA



Przed instalacją i użytkowaniem urządzenia należy dokładnie zapoznać się z załączoną instrukcją obsługi. Producent nie ponosi odpowiedzialności, jeśli nieprawidłowy montaż i użytkowanie spowodują obrażenia ciała i szkody. Instrukcję obsługi

urządzenia należy zawsze zachować na przyszłość. **Bezpieczeństwo dzieci i osób szczególnie narażonych na niebezpieczeństwo**

OSTRZEŻENIE



Ryzyko odniesienia obrażeń lub trwałego kalectwa. Niniejsze urządzenie może być użytkowane przez dzieci od 8 roku życia oraz osoby o ograniczonych zdolnościach fizycznych, sensorycznych lub umysłowych, lub osoby nieposiadające doświadczenia i wiedzy, jeżeli zostały poddane nadzorowi lub poinstruowane w zakresie bezpiecznego użytkowania urządzenia i rozumieją związane z tym zagrożenia. Nie pozwalać dzieciom bawić się urządzeniem.

Dzieci poniżej 3 roku życia powinny być trzymane z dala od urządzenia, chyba że są pod stałym nadzorem. Przechowywać wszystkie opakowania z dala od dzieci. Dzieci nie mogą czyścić ani konserwować urządzenia bez nadzoru.

Ogólne bezpieczeństwo

Urządzenie jest przeznaczone do użytku domowego i podobnych zastosowań, jak np: w łazienkach, kuchniach dla personelu w sklepach, biurach i innych miejscach pracy. Tabliczka znamionowa znajduje się za osuszaczem lub po jego bocznej stronie. Otwory wentylacyjne nie mogą być zasłonięte.

Do przyspieszenia procesu rozmrażania nie należy używać urządzeń mechanicznych ani żadnych środków innych niż zalecane przez producenta. Urządzenie nie może być przechowywane w pomieszczeniu, w którym stale działają źródła zapłonu (na przykład otwarty ogień, działające urządzenie gazowe lub działająca grzałka elektryczna). Nie dziurawić i nie palić. Należy pamiętać, że czynniki chłodnicze mogą być bezbezpieczne. Nie czyścić urządzenia rozpyloną wodą ani parą. Czyścić urządzenie wilgotną, miękką ściereczką. Stosować wyłącznie deterenty obojętne. Nie używać produktów ściernych, ściernych podkładek czyszczących, rozpuszczalników lub przedmiotów metalowych.

W razie uszkodzenia przewodu zasilającego należy go wymienić u producenta, w autoryzowanym punkcie serwisowym lub u osób o podobnych kwalifikacjach, aby uniknąć zagrożenia.

INSTRUKCJE BEZPIECZEŃSTWA

Instalacja OSTRZEŻENIE



Tylko wykwalifikowana osoba może zainstalować urządzenie. Usunąć wszystkie opakowania. Nie instalować ani nie używać uszkodzonego urządzenia. Urządzenie powinno być

zainstalowane, obsługiwane i przechowywane w pomieszczeniu o powierzchni podłogi większej niż 4 m². Należy przestrzegać instrukcji montażu dołączonej do urządzenia.

Zawsze należy zachować ostrożność podczas przenoszenia urządzenia, ponieważ jest ciężkie. Należy zawsze nosić rękawice ochronne.

Upewnij się, że powietrze może krążyć wokół urządzenia.

Przed podłączeniem urządzenia do sieci należy odczekać co najmniej 4 godziny. Ma to na celu umożliwienie powrotu oleju do sprężarki.

Nie instalować urządzenia w pobliżu grzejników lub innych źródeł ciepła.

Nie instalować urządzenia w miejscach narażonych na bezpośrednie działanie promieni słonecznych. Urządzenie to jest przeznaczone tylko do użytku w pomieszczeniach.

Upewnij się, że urządzenie jest ustawione na stabilnym, płaskim podłożu. Jeśli powierzchnia nie jest stabilna, istnieje ryzyko, że urządzenie może być niestabilne, co może spowodować nadmierne wibracje i wyciek wody.

Podłączenie elektryczne

OSTRZEŻENIE

Niebezpieczeństwo pożaru i porażenia prądem elektrycznym.

Urządzenie musi być pod-

łączone do uziemionego gniazodka.

Upewnij się, że informacje elektryczne na tabliczce znamionowej są zgodne z informacjami dotyczącymi zasilania. W przeciwnym razie skontaktować się z elektrykiem.

Należy zawsze używać prawidłowo zainstalowanego gniazda odpornego na wstrząsy.

Nie należy używać adapterów i przedłużaczy wielogniazdowych.

Uważać, aby nie uszkodzić elementów elektrycznych (np. wtyczki sieciowej, kabla sieciowego).

W celu wymiany części elektrycznych należy skontaktować się z autoryzowanym punktem serwisowym lub elektrykiem.

Kabel sieciowy musi znajdować się poniżej poziomu wtyczki sieciowej.

Wtyczkę sieciową należy podłączać do gniazda sieciowego dopiero po zakończeniu instalacji.

Po zakończeniu instalacji należy upewnić się, że wtyczka sieciowa jest podłączona do gniazodka.

Nie ciągnąć za kabel sieciowy w celu odłączenia urządzenia. Zawsze ciągnąć za wtyczkę sieciową.

Zastosowanie

OSTRZEŻENIE

Niebezpieczeństwo obrażeń, oparzeń, porażenia prądem elektrycznym lub pożaru.

Nie należy zmieniać

specyfikacji urządzenia.

Uważać, aby nie uszkodzić obiegu czynnika chłodniczego. Zawiera on propan (R290), gaz ziemny o wysokim poziomie ekologiczności. Gaz ten jest łatwopalny.

Jeśli obieg czynnika chłodniczego ulegnie uszkodzeniu, należy upewnić się, że w pomieszczeniu nie ma płomieni ani źródeł zapłonu. Przewietrzyć pomieszczenie. W pobliżu urządzenia lub na nim nie wolno umieszczać produktów lub przedmiotów łatwopalnych, które są zwilżone produktami łatwopalnymi.

Utylizacja

OSTRZEŻENIE

Ryzyko zranienia.

Odłączyć urządzenie od zasilania sieciowego.

Odłączyć kabel sieciowy i wyrzucić go.

Obieg czynnika chłodniczego urządzenia jest przyjazny dla warstwy ozonowej. Aby uzyskać informacje na temat prawidłowego wyrzucania urządzenia, skontaktować się z władzami miasta.

Nie wolno uszkodzić jednostki chłodzącej urządzenia znajdującej się w pobliżu wymiennika ciepła. Zawsze należy utrzymywać urządzenie w czystości. Nie zakrywaj urządzenia.

Dziękujemy

Dziękujemy za wybranie osuszacza marki Wood's. Jesteś jedną z ponad 400 000 osób, które wybrały firmę Wood's, aby zapobiec uszkodzeniom spowodowanym nadmierną ilością wilgoci i pleśni. Założona w Kanadzie w 1950 r., firma Wood's ma ponad 60-letnie doświadczenie w rozwoju i produkcji osuszaczy. Wybierając osuszacz firmy Wood's, otrzymujesz urządzenie wysokiej jakości o dużej pojemności, które wygeneruje najwięcej litrów na zużyte kWh.

Działanie osuszacza

M10G firmy Wood to sprężarkowy osuszacz powietrza. Powietrze wciągane do jego wnętrza przez wentylator przepływa po chłodzonych sprężarką cewkach miedzianych. Cewki te studzą parę wodną, co skutkuje oddzieleniem wody od powietrza.

Woda spływa po cewkach, skapuje z nich i jest odprowadzana przewodem giętkim. Pozostaje suche powietrze, wywiewane z powrotem do pomieszczenia. Kondensacji (skraplaniu) przez osuszacz pary wodnej towarzyszy uwalnianie się energii cieplnej – dlatego osuszacz sprężarkowy, wywiewając suche powietrze, jest szczególnie użyteczny przy suszeniu ubrań, prania, drewna itp.

Sprężarkowy osuszacz powietrza jest najbardziej energooszczędny sposobem na usuwanie nadmiaru wilgoci oraz nieprzyjemnych zapachów. Żeby dbać o bezpieczne i zdrowe środowisko wewnętrzne pomieszczenia, utrzymuj poziom wilgotności względnej w przedziale od 50 do 60%.

1. Montaż i umiejscowienie

Osuszacze firmy Wood's są łatwe do przemieszczania, jednak należy mieć na uwadze następujące kwestie.

- Osuszacza nie należy umieszczać zbyt blisko kaloryferów, innego rodzaju źródeł ciepła lub w miejscach wystawionych na bezpośrednie działanie promieni słonecznych, ponieważ obniża to jego wydajność.
- Należy zachować odległość co najmniej 25 cm od ścian i innych przeszkód, aby zmaksymalizować przepływ powietrza.
- Aby zapewnić optymalną wydajność, należy umieścić osuszacz w

środku pomieszczenia.

- Upewnij się, że przepływ powietrza z wlotu i wylotu nie jest zablokowany.

Montaż:

1. Ustaw osuszacz na solidnym podłożu, najlepiej na środku pomieszczenia.
2. Należy zamknąć wszystkie okna i otwory wentylacyjne w pomieszczeniu. W przeciwnym razie wilgotne powietrze z zewnątrz będzie w dalszym ciągu napływać do pomieszczenia.
3. Należy podłączyć osuszacz do gniazdka z uziemieniem.

Przetransportowanie osuszacza w poziomie grozi wydostaniem się oleju ze sprężarki, do zamkniętej instalacji rurowej. W takim wypadku należy pozostawić osuszacz w pozycji pionowej na kilka godzin przed skorzystaniem z niego. Bardzo ważne jest, aby olej spłynął z powrotem do sprężarki, ponieważ w przeciwnym razie osuszacz mógłby ulec poważnemu uszkodzeniu.

2. Użytkowanie M10G

Sterowanie za pomocą higrostatu
Urządzenie będzie działać tylko wtedy, gdy wilgotność otoczenia przekroczy ustawioną wartość.

Samoczynny restart:

W razie awarii zasilania urządzenie będzie nadal działać zgodnie z najnowszymi ustawieniami po przywróceniu zasilania.

Samoczynne odszranianie

Urządzenie odszrania się samoczynnie, kiedy to konieczne, i po zakończeniu odszraniania wznawia normalne działanie.

Na czas odszraniania sprężarka wyłączy się; świeci wtedy dioda sygnalizująca odszranianie.

Osuszacz uruchamia i wyłącza się przez naciskanie przycisku ON/OFF.

Kiedy sprężarka pracuje, świeci kontrolka sprężarki.

Ustawianie żądanego poziomu wilgotności

Naciskając przyciski strzałek W GÓRĘ i W DÓŁ, możesz wybierać żądany poziom wilgotności – w zakresie od 30 do 90%. Z chwilą osiągnięcia żądanego poziomu wilgotności

osuszacz wyłącza się. Zmieniona nastawa widnieje na wyświetlaczu przez kilka sekund. Następnie z powrotem wyświetlane jest wskazanie poziomu wilgotności otoczenia. Jeżeli chcesz, żeby osuszacz pracował bez przerwy, naciskaj strzałkę W DÓŁ, aż na wyświetlaczu pojawi się wskazanie „CO”. Wtedy urządzenie będzie pracowało nieprzerwanie, bez względu na wilgotność, jaka panuje akurat w pomieszczeniu.

Kiedy poziom wilgotności otoczenia wynosi poniżej 35%, na wyświetlaczu widnieje wskazanie „LO”. Kiedy poziom wilgotności otoczenia wynosi powyżej 95%, na wyświetlaczu widnieje wskazanie „HI”.

UWAGA: W następstwie osiągnięcia żądanego poziomu wilgotności wentylator pracuje jeszcze przez kilka minut, po czym zatrzymuje się.

Nastawianie regulatora czasowego wyłączenia samoczynnego

Naciskaj przycisk regulatora czasowego, żeby regulować czas do wyłączenia samoczynnego w zakresie od 1 do 24 godzin. Kiedy regulator wyłączenia jest nastawiony, świeci dioda regulatora czasowego. Zmieniona nastawa widnieje na wyświetlaczu przez kilka sekund. Następnie z powrotem wyświetlane jest wskazanie poziomu wilgotności otoczenia. Żeby wyłączyć regulator czasowy, naciskaj przycisk regulatora, aż na wyświetlaczu pojawi się wskazanie wartości zerowej. Po tym, jak urządzenie zostaje wyłączone przez regulator czasowy, uruchomienie go z powrotem wymaga naciśnięcia przycisku zasilania.

4. Odprowadzanie wody

Gdy zbiornik na wodę ulega zapelnieniu, osuszacz wyłącza się samoczynnie.

Gdy zbiornik na wodę zostanie opróżniony, urządzenie zostanie automatycznie uruchomione ponownie.

1. Należy odłączyć osuszacz od źródła prądu.
2. Opróżnić zbiornik z wody.
3. Wsunąć pusty zbiornik z powrotem w urządzenie i sprawdzić, czy pływak swobodnie przemieszcza się w zbiorniku.
4. Należy podłączyć osuszacz do źródła prądu.

Bezpośrednie odprowadzanie wody

Przyłącz przewód giętki (10 mm) wody do przewodu rurowego z tyłu osuszacza. Drugi koniec przewodu giętkiego umieść w odpływie. Upewnij się, że woda może spływać.

5. Filtr powietrza

Filtr powietrza zapobiega przedostawaniu się pyłu i kurzu do wnętrza urządzenia, a tym samym zwiększa jego trwałość eksploatacyjną. Ważne jest regularne oczyszczanie filtra. Oczyszczanie filtra:

1. Wyciągnąć filtr.
2. Umyć go ciepłą wodą i łagodnym środkiem czyszczącym. Alternatywnie, filtr można odkurzyć.
3. Filtr pozostawić do wyschnięcia, a następnie włożyć z powrotem do urządzenia.

Bardzo ważne jest, aby filtr był regularnie oczyszczany; w przeciwnym razie mogłoby nastąpić pogorszenie wydajności osuszacza, a nawet dojść do jego poważnego uszkodzenia.

6. Konserwacja

— Wyczyścić urządzenie miękką wilgotną szmatką. Nie należy używać rozpuszczalników i silnych detergentów, ponieważ mogą one uszkodzić powierzchnię urządzenia.

— Wężownice chłodzące najlepiej czyścić szmatką i ciepłą wodą.

7. Serwisowanie

Jeśli osuszacz wymaga serwisowania, należy skontaktować się z lokalnym detalistą. Przy składaniu roszczenia gwarancyjnego wymagany jest dowód zakupu.

8. Gwarancja

2 lata gwarancji konsumenckiej na wady produkcyjne. Należy pamiętać, że gwarancja obowiązuje tylko pod warunkiem okazania rachunku. Gwarancja obowiązuje tylko w przypadku, gdy produkt jest używany zgodnie z instrukcją i ostrzeżeniami dotyczącymi bezpieczeństwa zawartymi w

niniejszej instrukcji. Gwarancja nie obejmuje uszkodzeń spowodowanych niewłaściwą obsługą produktu.

UWAGA: 2-letnia gwarancja dotyczy wyłącznie konsumentów, a nie komercyjnego użytku urządzenia.

Producent niniejszego urządzenia stosuje się do zasad wyznaczonych przez dyrektywy EWG 76/889 i 82/499.

Urządzenie zostało skonfigurowane tak, żeby pracowało sprawnie w przedziale temperatur od +5 do +35°C.

Przy temperaturach spoza tego zakresu urządzenie może funkcjonować nieprawidłowo.

9. Wskazówki

Czasami warto użyć osłony przeciwmrozowej lub wentylatora nagrzewnicy, aby upewnić się, że temperatura nie spadnie poniżej +10°C. Choć M10G może osuszać przy temperaturach do +5°C, to jego wydajność wzrasta w wyższych temperaturach, jako że ciepłe powietrze niesie ze sobą więcej wody.

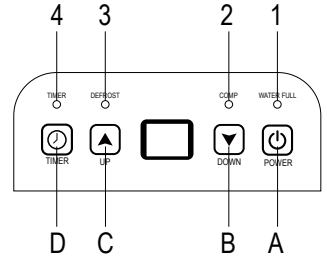
W celu uzyskania maksymalnej wydajności osuszania w pomieszczeniu zaleca się minimalizację nawiewu powietrza z zewnątrz i z sąsiednich pomieszczeń – należy zamykać drzwi i nawiewniki.

Spodziewaj się wyższej zdolności osuszania jesienią/latem, kiedy powietrze na zewnątrz jest cieplejsze i bardziej wilgotne.

Aby zapewnić bezpieczną i niezawodną ochronę przed uszkodzeniami spowodowanymi pleśnią i wilgocią, należy utrzymywać względną wilgotność w przedziale od 50 do 60%.

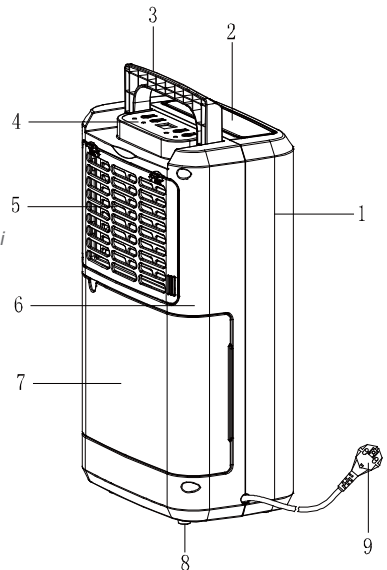
CZĘŚCI

- Elementy składowe
1. Osłona przednia
 2. Wylot
 3. Uchwyty
 4. Panel sterowniczy
 5. Skrzynka filtra
 6. Osłona tylna
 7. Zbiornik
 8. Gumowe nóżki
 9. Kabel zasilający



INSTRUKCJA OBSŁUGI WSKAŹNIKI LED

- | | |
|----------------------|-----------|
| 1. WYPEŁNIENIE WODĄ | Czerwona |
| 2. PRACA SPRĘŻARKI | Niebieska |
| 3. ODSZRANIANIE | Niebieska |
| 4. REGULATOR CZASOWY | Zielona |







Dwucyfrowy wyświetlacz poziomu wilgotności i nastawy regulatora czasowego



Wyświetlacz ma trzy funkcje:

1. W trakcie regulowania wilgotności wskazuje wybraną wilgotność.
2. W trakcie programowania wyłączenia samoczynnego wskazuje nastawiany czas w godzinach.
3. Kiedy poziom wilgotności otoczenia wynosi poniżej 35%, wyświetla wskazanie „LO”.
4. Kiedy poziom wilgotności otoczenia wynosi powyżej 95%, wyświetla wskazanie „HI”.



Funkcje przycisków


- A. Przycisk uruchamiania i zatrzymywania 
- B. Przycisk regulacji wartości w dół 
- C. Przycisk regulacji wartości w górę 
- D. Przycisk regulatora czasowego 

INSTRUKCJA OBSŁUGI

1. Podłącz urządzenie.

2. Naciśnij  przycisk jeden raz, żeby uruchomić urządzenie. Naciśnij jeszcze raz, żeby zatrzymać.

3. Naciskaj  i , żeby nastawić żądany poziom wilgotności w pomieszczeniu. Regulacja jest możliwa w zakresie od 30 do 90%, krokami po 5%. Po okresie pracy, kiedy wilgotność otoczenia jest niższa od nastawy o 2%, sprężarka wyłącza się; wentylator zatrzymuje się 3 minuty później. Kiedy wilgotność otoczenia jest równa nastawie lub wyższa od niej o 3%, sprężarka uruchamia się z powrotem, przy czym następuje to z 3-minutowym opóźnieniem, stanowiącym zabezpieczenie sprężarki.

4. Naciskaj , żeby nastawić regulator czasowy:

Przez naciśnięcie przycisku regulatora nastawia się czas samoczynnego wyłączenia lub włączenia urządzenia. Jeżeli chcesz anulować zaprogramowane przełączenie samoczynne, naciskaj przycisk regulatora, aż pojawi się wskazanie czasu „00”. Naciskanie przycisku regulatora skutkuje przełączaniem nastawy od „00” do „24” i następnie od początku. Nastawa określa czas, po jakim urządzenie ma zostać przełączone. Zaprogramowany czas jest anulowany za każdym razem, kiedy sprężarka zostaje przełączona ręcznie. Zaprogramowany czas pozostaje niezmieniony w razie zatrzymania urządzenia na skutek wypełnienia wodą bądź na czas odszraniania.

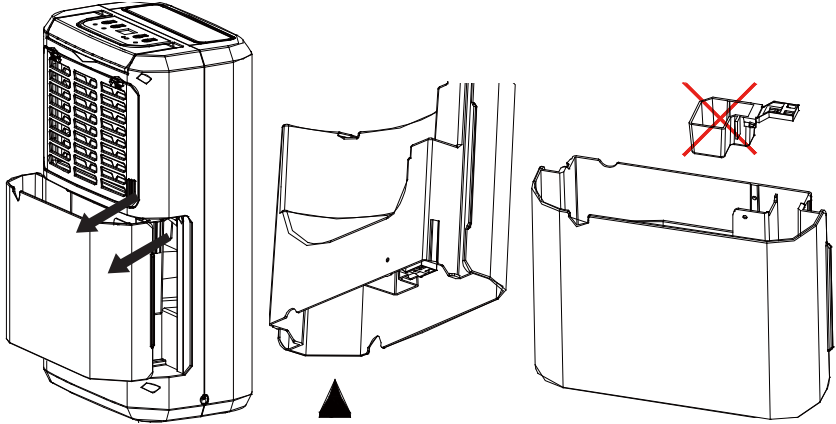
Uwaga: Gdy wilgotność otoczenia osiągnie wartość ustawioną wcześniej, zarówno sprężarka, jak i silnik wentylatora najpierw zatrzymują się na 60 minut, a następnie silnik wentylatora działa na 3 minuty w celu wykrycia wilgotności, jeśli wyższa niż ustawiona, zarówno sprężarka, jak i silnik ponownie działają. Jeżeli jest niższy niż ustawiony, zarówno sprężarka, jak i silnik wyłączają się na 60 minut, a następnie silnik ponownie działa przez 3 minuty; ”

SPUSZCZANIE ZEBRANEJ WODY

Kiedy zbiornik ulega zapelnieniu, zapala się kontrolka wypełnienia zbiornika, urządzenie wyłącza się samoczynnie i 15 razy odzywa się brzęczyk, ostrzegając użytkownika o konieczności spuszczenia wody ze zbiornika.

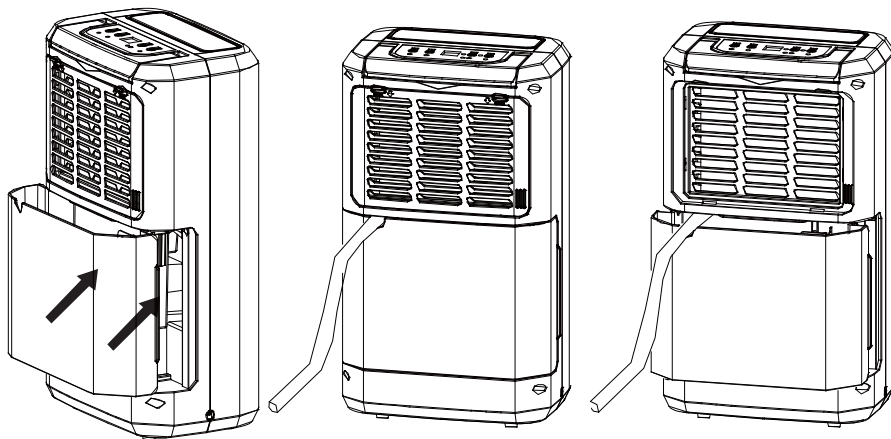
Opróżnianie zbiornika

1. Chwyć zbiornik obiema rękami, wywierając na niego nieznaczny nacisk od boków, i wyciągnij go ostrożnie.
2. Usuń wodę, która się zebrała.



UWAGA!

1. Nie wyjmuj pływaka ze zbiornika. Bez pływaka czujnik wypełnienia wodą nie może poprawnie wykrywać poziomu wody, co grozi wyciekaniem wody ze zbiornika.
2. Gdyby zbiornik uległ zabrudzeniu, umyj go zimną lub letnią wodą. Nie używaj środków czyszczących, włókien do szorowania, szmatek przygotowanych chemicznie, benzyny, benzenu, rozcieńczalników ani żadnych innych rozpuszczalników – to mogłoby doprowadzić do uszkodzenia zbiornika i groziłoby wyciekaniem wody.
3. Przy wstawianiu zbiornika z powrotem wciśnij go na jego miejsce mocno obiema rękami. Kiedy zbiornik nie jest założony poprawnie, świeci kontrolka wypełnienia zbiornika i osuszacz nie może zostać uruchomiony.



Odprowadzanie wody w sposób ciągły

Urządzenie jest wyposażone w złącze spustu ciągłego. Można z niego korzystać przy użyciu plastikowego przewodu rurowego (o średnicy wewnętrznej 10 mm), który umieszcza się w otworze spustowym (na płytce pośredniej) i wyprowadza z boku zbiornika wody. W tym celu zainstaluj przewód w przewidzianym miejscu i poprowadź go odpowiednio. Woda ze zbiornika może być wtedy odprowadzana w sposób ciągły przez złącze spustowe urządzenia.

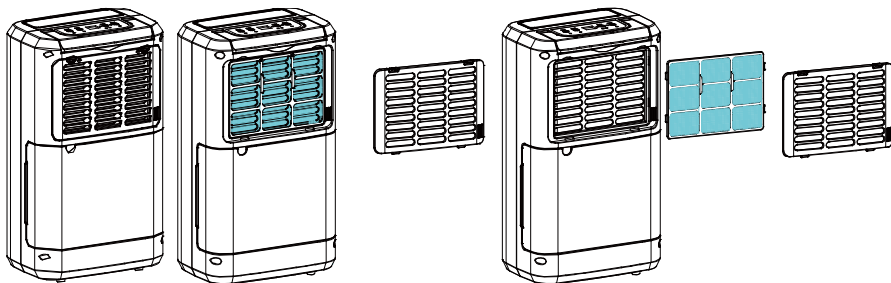
KONSERWACJA

Czyszczenie osuszacza

Czyszczenie korpusu: Wyrzeć miękką, zwilżoną szmatką.

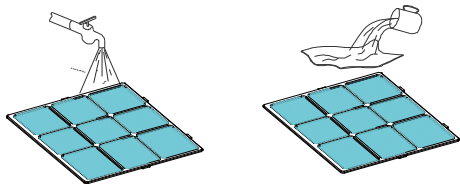
Oczyszczenie filtra powietrza

1. Najpierw ostrożnie otwórz kratkę filtra i wyjmij filtr powietrza.



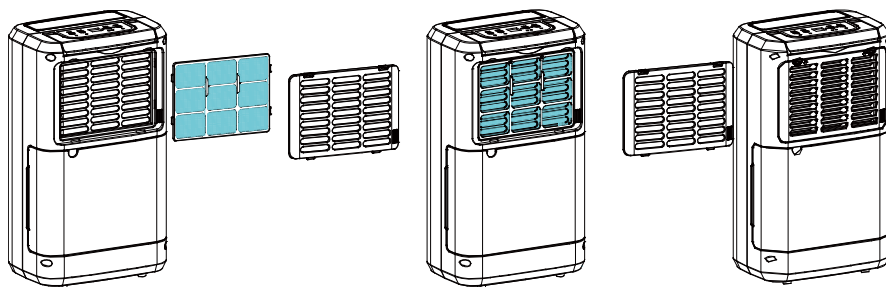
2. Oczyszczenie filtra powietrza

Ostrożnie przejdź po powierzchni filtra powietrza dyszą odkurzacza, żeby usunąć pył i kurz. Gdyby filtr powietrza był zabrudzony szczególnie mocno, umyj go w ciepłej wodzie z dodatkiem łagodnego środka czyszczącego, po czym starannie osusz.



3. Zakładanie filtra powietrza

Wstaw filtr w kratkę płynnym ruchem, po czym umieść kratkę wlotu z powrotem na jej miejscu.



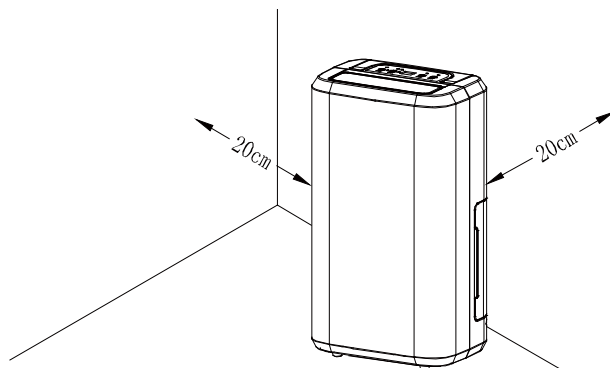
Przechowywanie osuszacza

Jeżeli przewiduje się nieużywanie urządzenia przez dłuższy czas i pożądane jest jego przechowanie, należy wykonać następujące czynności:

1. Całkowicie opróżnij zbiornik z wody.
2. Zwiń kabel zasilający i umieść go w zbiorniku z wody.
3. Oczyść filtr powietrza.
4. Odstaw całość w miejsce chłodne i suche.

Prześwit

Kiedy osuszacz pracuje, dokoła niego istnieć musi przynajmniej prześwit minimalny wskazany na ilustracji poniżej.



ROZWIĄZYWANIE PROBLEMÓW

Gdyby zaistniała któraś z opisanych niżej sytuacji, w pierwszej kolejności – zanim wezwiesz serwis – wykonaj zalecane czynności naprawcze.

Problem	Możliwa przyczyna	Rozwiązanie
Urządzenie nie działa.	Czy kabel zasilający nie został odłączony?	Podłączyć kabel zasilający do gniazdka.
	Czy nie migocze kontrolka sygnalizująca wypełnienie zbiornika? (Oznacza to, że zbiornik jest pełny albo ułożony niewłaściwie).	Spuścić wodę ze zbiornika, po czym ustawić go z powrotem we właściwej pozycji.
	Czy temperatura w pomieszczeniu nie wynosi powyżej +35°C albo poniżej +5°C?	Załączyło się zabezpieczenie; urządzenie nie może zostać uruchomione.
Funkcja osuszania nie działa.	Czy filtr powietrza nie jest zatkany?	Oczyścić filtr powietrza, kierując się instrukcjami zamieszczonymi w punkcie „Czyszczenie osuszacza”.
	Czy nie doszło do zatkania lub zablokowania kanału wlotowego lub wylotowego?	Usunąć zator z kanału wlotowego bądź wylotowego.
Powietrze nie jest wywiewane.	Czy filtr powietrza nie jest zatkany?	Oczyścić filtr powietrza, kierując się instrukcjami zamieszczonymi w punkcie „Czyszczenie osuszacza”.
Urządzenie pracuje hałaśliwie.	Czy urządzenie nie jest przekrzywione albo niestabilne?	Ustawić urządzenie na stabilnym, solidnym podłożu.
	Czy filtr powietrza nie jest zatkany?	Oczyścić filtr powietrza, kierując się instrukcjami zamieszczonymi w punkcie „Czyszczenie osuszacza”.
Kod błędu „E1”.	Usterka czujnika oszronienia.	Wymienić czujnik oszronienia.

Dane techniczne osuszacza Wood M10G

Maks. obszar działania	40 m ²
Zalecany metraż pomieszczenia	2–30 m ²
Przepływ powietrza	120 m ³ /h
Pojemność (przy temperaturze +30°C i wilgotności względnej 80%)	10 l
Pobór mocy	280 W
Pojemność zbiornika	2 l
Poziom hałasu	42 dB
Temperatura pracy	Od +5 do +35°C
Poziomy obrotów wentylatora	1
Wymiary (długość × szerokość × wysokość)	276 × 185 × 480 mm
Masa	9,5 kg
Czynnik chłodniczy	R290
Kod stopnia ochrony	IP 21



Oznakowanie to wskazuje, że produkt nie powinien być wyrzucany z innymi odpadami komunalnymi na terenie UE. W celu zapobieżenia ewentualnym szkodom dla środowiska lub zdrowia ludzkiego przez niekontrolowaną utylizację odpadów, urządzenie należy poddać recyklingowi w sposób odpowiedzialny, tak żeby umożliwić ponowne wykorzystanie materiałów. Aby zwrócić urządzenie, należy postępować zgodnie z systemem zwrotu i odbioru lub skontaktować się ze sprzedawcą, u którego zakupiono produkt. Może on przyjąć ten produkt, aby poddać go bezpiecznemu recyklingowi.

Contact:

Wood's is marketed and distributed by TES Scandinavia AB

Maskingatan 2-4
441 39 – Alingsås, Sweden

+46(0)31-761 36 10
woods.se
info@woods.se

Wood's[®]